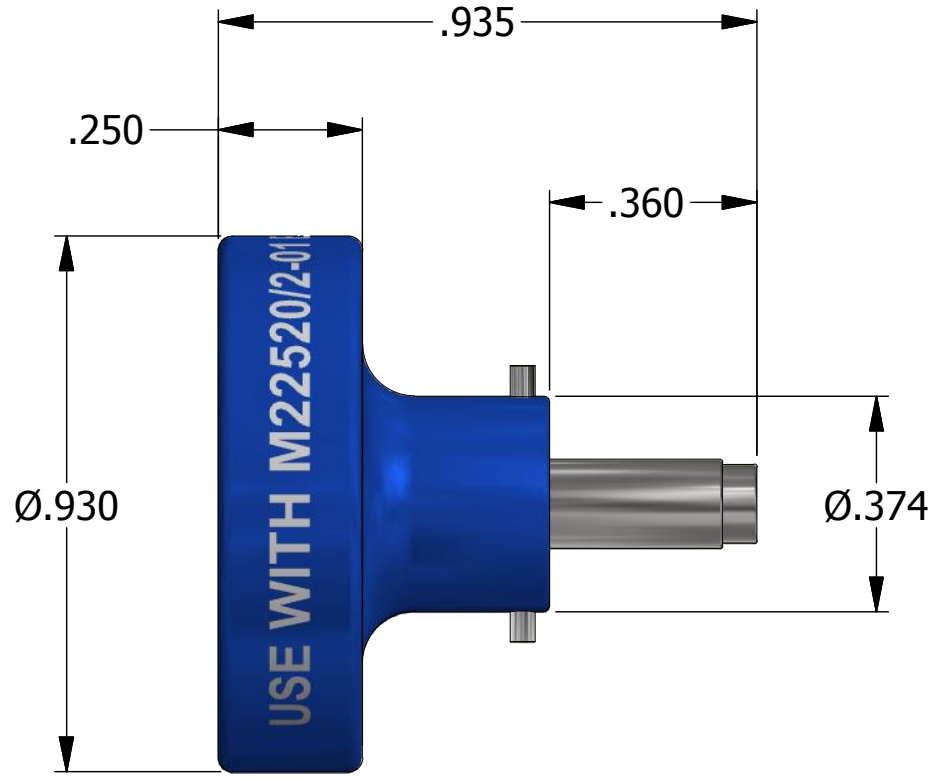
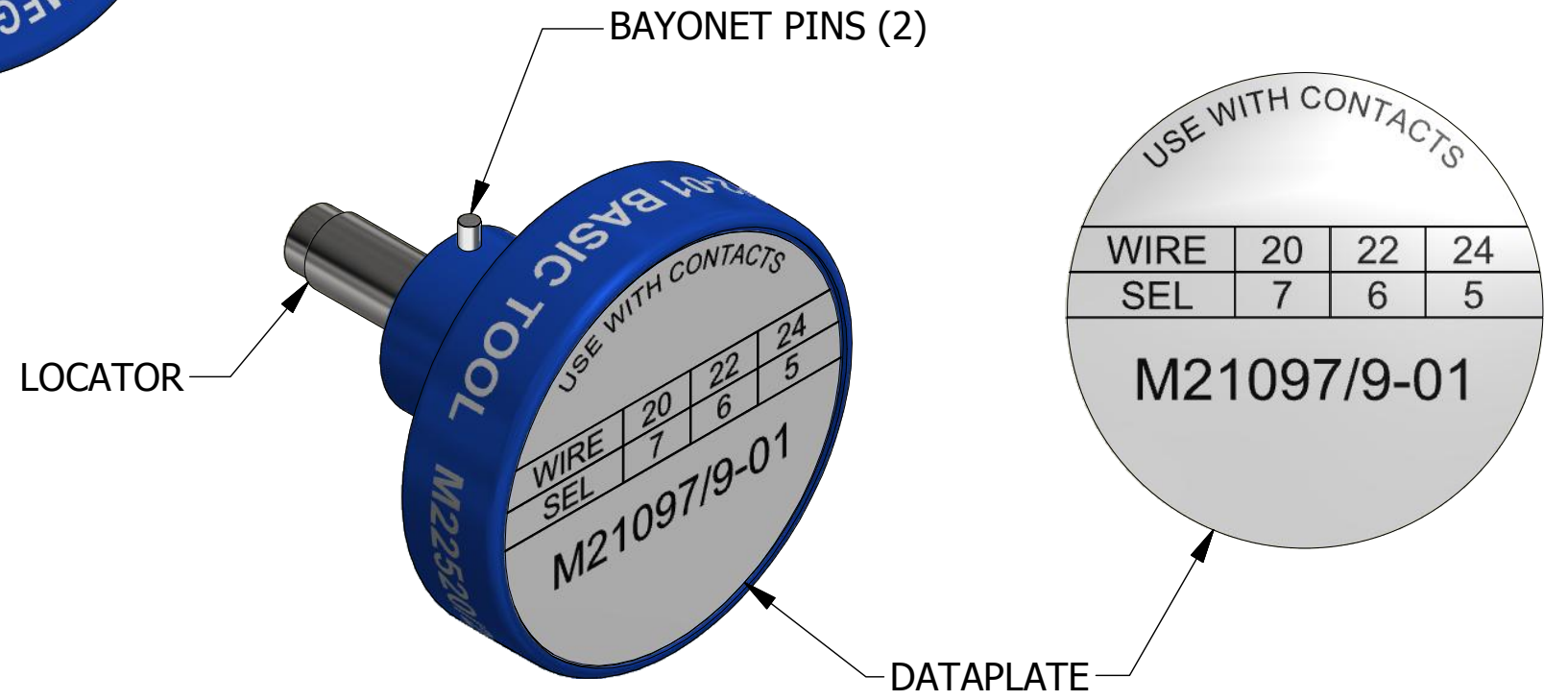


REVISIONS						
REV	ECO NO.	DESCRIPTION	BY	DATE	APP'D BY	DATE
1		ORIGINAL RELEASE	AAM	7/11/2003	RRR	7/11/2003
2	23573	UPDATED & REDRAWN	TonyD	4/8/2015		

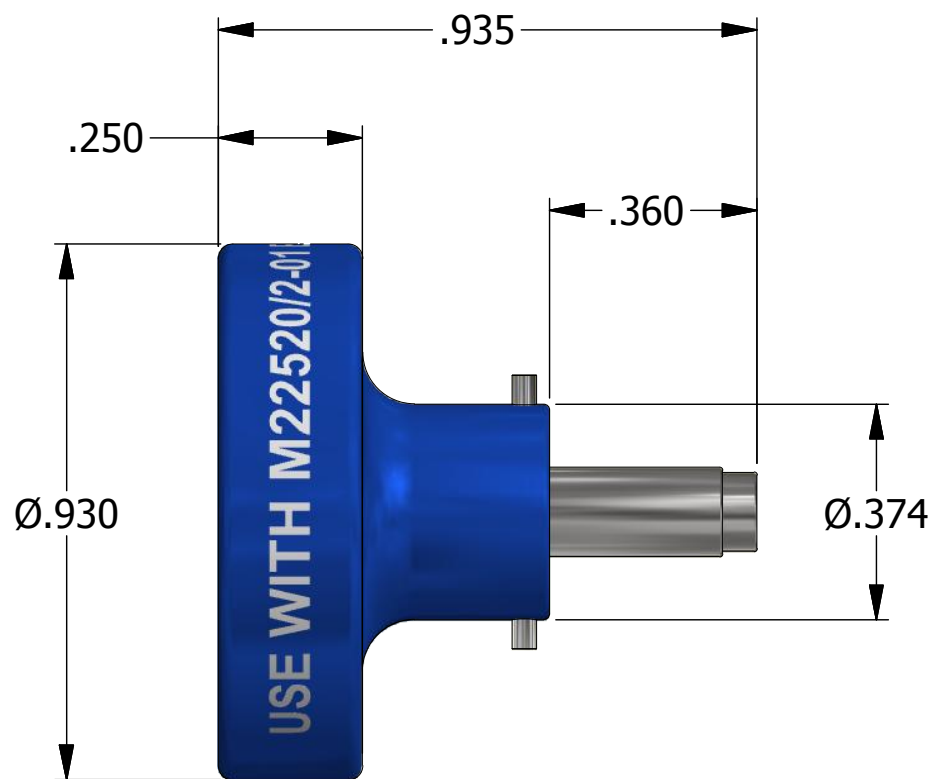


**UNCONTROLLED DOCUMENT
WILL NOT BE UPDATED**
DIMENSIONS IN INCHES - UNLESS OTHERWISE SPECIFIED



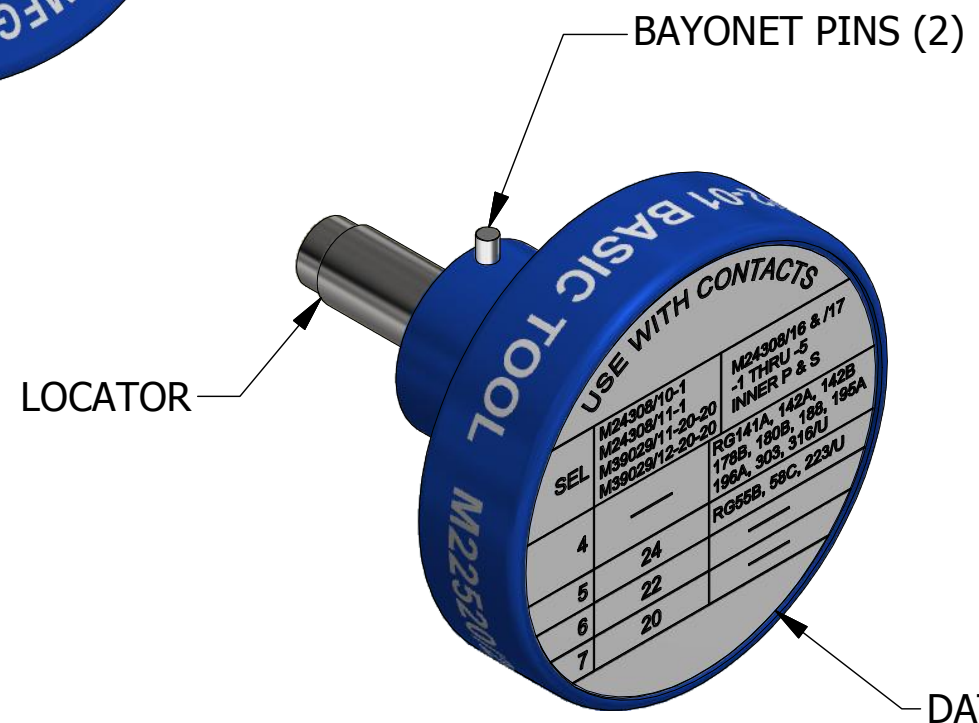
LOCATOR	
HOLE DIMENSIONS	ADDITIONAL FEATURES
Ø.067 √.195	

MATERIAL	ITEM	PART NO.	QTY.	DESCRIPTION / REMARKS
N/A	DRN. A.MOO-YOUNG CHK'D.	DATE 6/16/1997 DATE		DMC DANIELS MANUFACTURING CORP. ORLANDO, FLORIDA CAGE 11851
RESTRICTED & CONFIDENTIAL CONFIDENTIAL PROPERTY OF DANIELS MANUFACTURING CORP. NOT TO BE DISCLOSED TO OTHERS. REPRODUCTION OR USED FOR ANY OTHER PURPOSE EXCEPT AS AUTHORIZED IN WRITING BY DANIELS MANUFACTURING. MUST BE RETURNED TO DANIELS MANUFACTURING CORP. ON COMPLETION OF ORDER OR PURPOSES FOR WHICH LENT.	HEAT TREAT	N/A		NOTE: THIS DRAWING IS AN OUTLINE DRAWING OF THE RESPECTIVE DMC PART NUMBER INDICATED. ACTUAL DMC PART NUMBER IS CAD PART NUMBER WITHOUT THE "-ENV" SUFFIX
CREATED FROM AN INVENTOR MODEL. CHANGES MUST BE REFLECTED IN THE 3D PART	FINISH	N/A		TITLE POSITIONER M22520/2-05 ENVELOPE DRAWING
DO NOT SCALE DRAWING				WHERE USED: AFM8 SIZE B SCALE 3:1 CAD P/N K3-ENV SHEET 1 OF 1 DWG. NO. K3 REV. 2



REVISIONS					
REV	ECO NO.	DESCRIPTION	BY	DATE	APP'D BY
2		REDRAWN	AAM	10/20/1999	RRR
3	23573	UPDATED & REDRAWN	TonyD	4/10/2015	

**UNCONTROLLED DOCUMENT
WILL NOT BE UPDATED**
DIMENSIONS IN INCHES - UNLESS OTHERWISE SPECIFIED

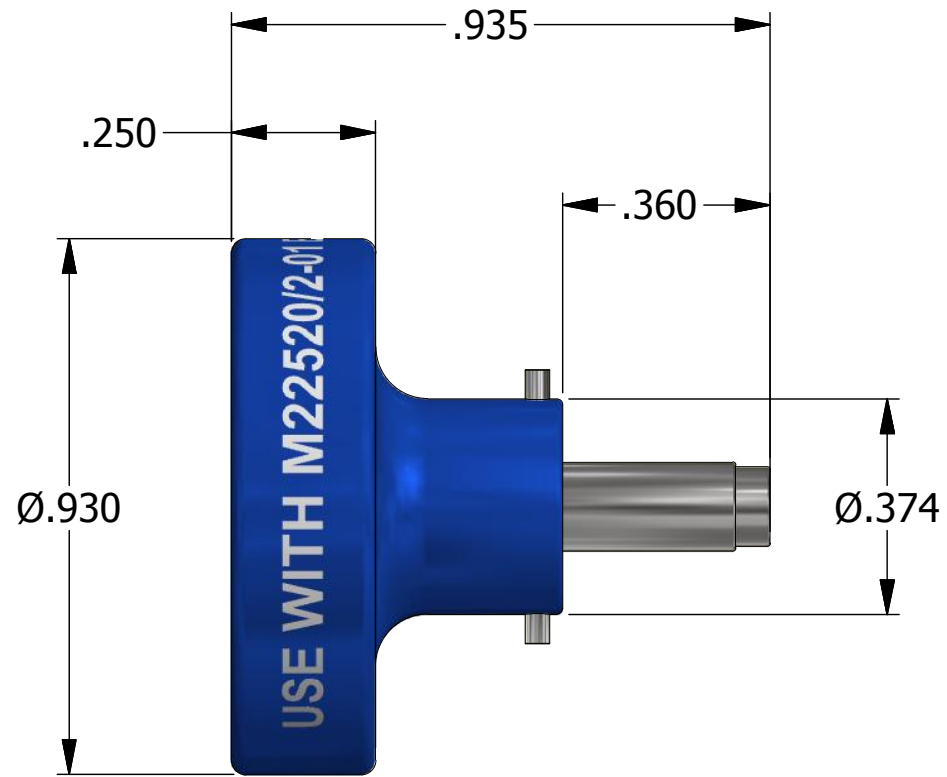


USE WITH CONTACTS		
SEL	M24308/10-1 M24308/11-1 M39029/11-20-20 M39029/12-20-20	M24308/16 & /17 -1 THRU -5 INNER P & S
4	—	RG141A, 142A, 142B 178B, 180B, 188, 195A 196A, 303, 316/U
5	24	RG55B, 58C, 223/U
6	22	—
7	20	—

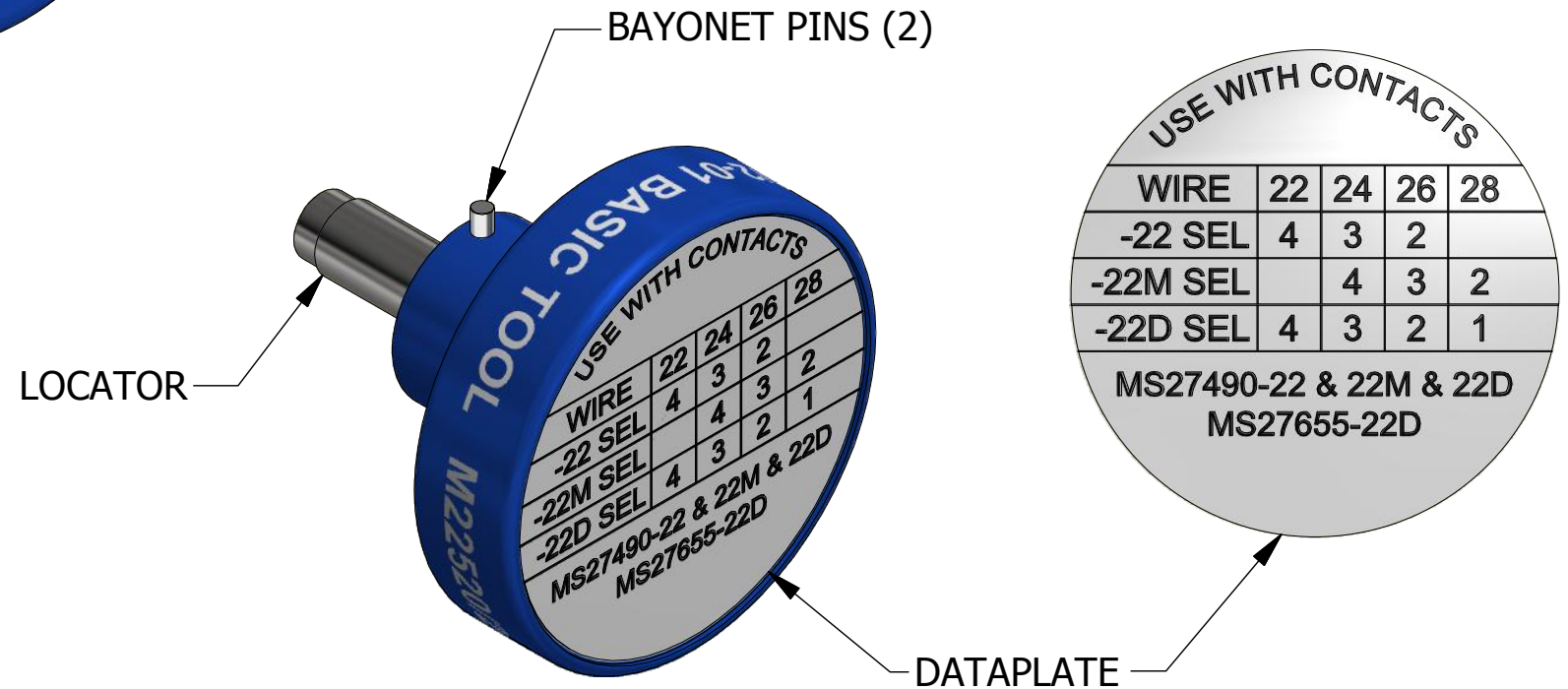
LOCATOR	
HOLE DIMENSIONS	ADDITIONAL FEATURES
Ø.078 ▽THRU	└┘Ø.094 ▽.085

MATERIAL	ITEM	PART NO.	QTY.	DESCRIPTION / REMARKS
N/A	DRN. BY CHK'D.	DATE 9/5/1986 DATE		DMC DANIELS MANUFACTURING CORP. ORLANDO, FLORIDA CAGE 11851
RESTRICTED & CONFIDENTIAL CONFIDENTIAL PROPERTY OF DANIELS MANUFACTURING CORP. NOT TO BE DISCLOSED TO OTHERS. REPRODUCTION OR USED FOR ANY OTHER PURPOSE EXCEPT AS AUTHORIZED IN WRITING BY DANIELS MANUFACTURING. MUST BE RETURNED TO DANIELS MANUFACTURING CORP. ON COMPLETION OF ORDER OR PURPOSES FOR WHICH LENT.	HEAT TREAT	N/A		NOTE: THIS DRAWING IS AN OUTLINE DRAWING OF THE RESPECTIVE DMC PART NUMBER INDICATED. ACTUAL DMC PART NUMBER IS CAD PART NUMBER WITHOUT THE "-ENV" SUFFIX
CREATED FROM AN INVENTOR MODEL. CHANGES MUST BE REFLECTED IN THE 3D PART	FINISH	N/A		TITLE POSITIONER (M22520/2-08) ENVELOPE DRAWING WHERE USED: AFM8
DO NOT SCALE DRAWING				SIZE B SCALE 3:1 CAD P/N K13-1-ENV SHEET 1 OF 1 DWG. NO. K13-1 REV. 3

REVISIONS						
REV	ECO NO.	DESCRIPTION	BY	DATE	APP'D BY	DATE
3		ADDED MIL NUMBER TO DWG	KDH	5/26/2010	RRR	5/26/2010
4	23573	UPDATED & REDRAWN	TonyD	4/10/2015		



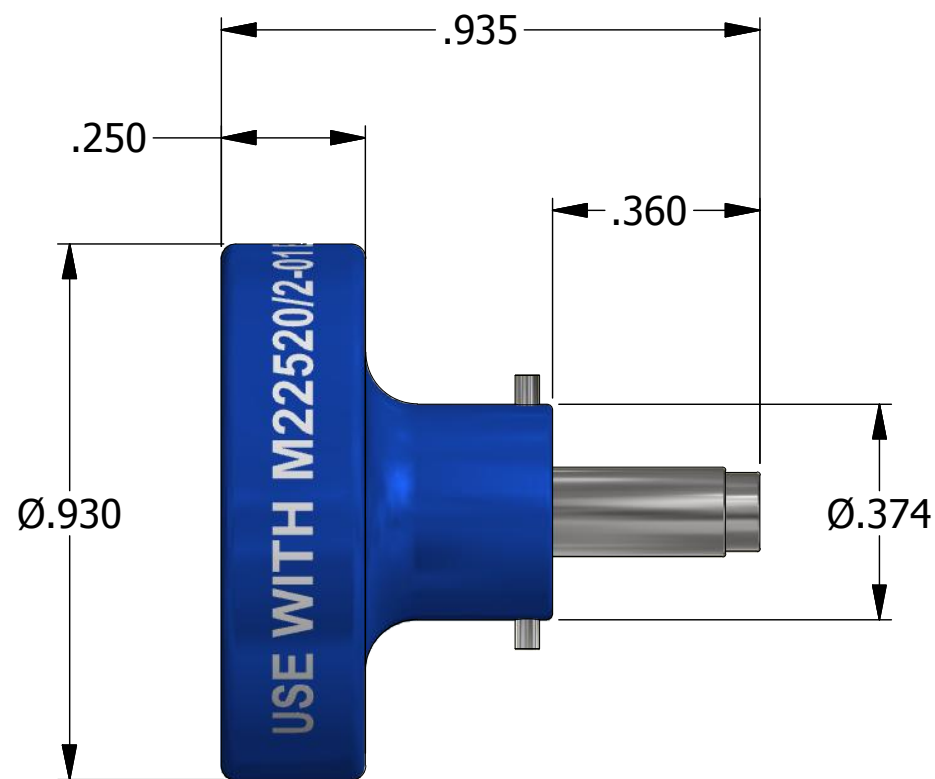
**UNCONTROLLED DOCUMENT
WILL NOT BE UPDATED**
DIMENSIONS IN INCHES - UNLESS OTHERWISE SPECIFIED



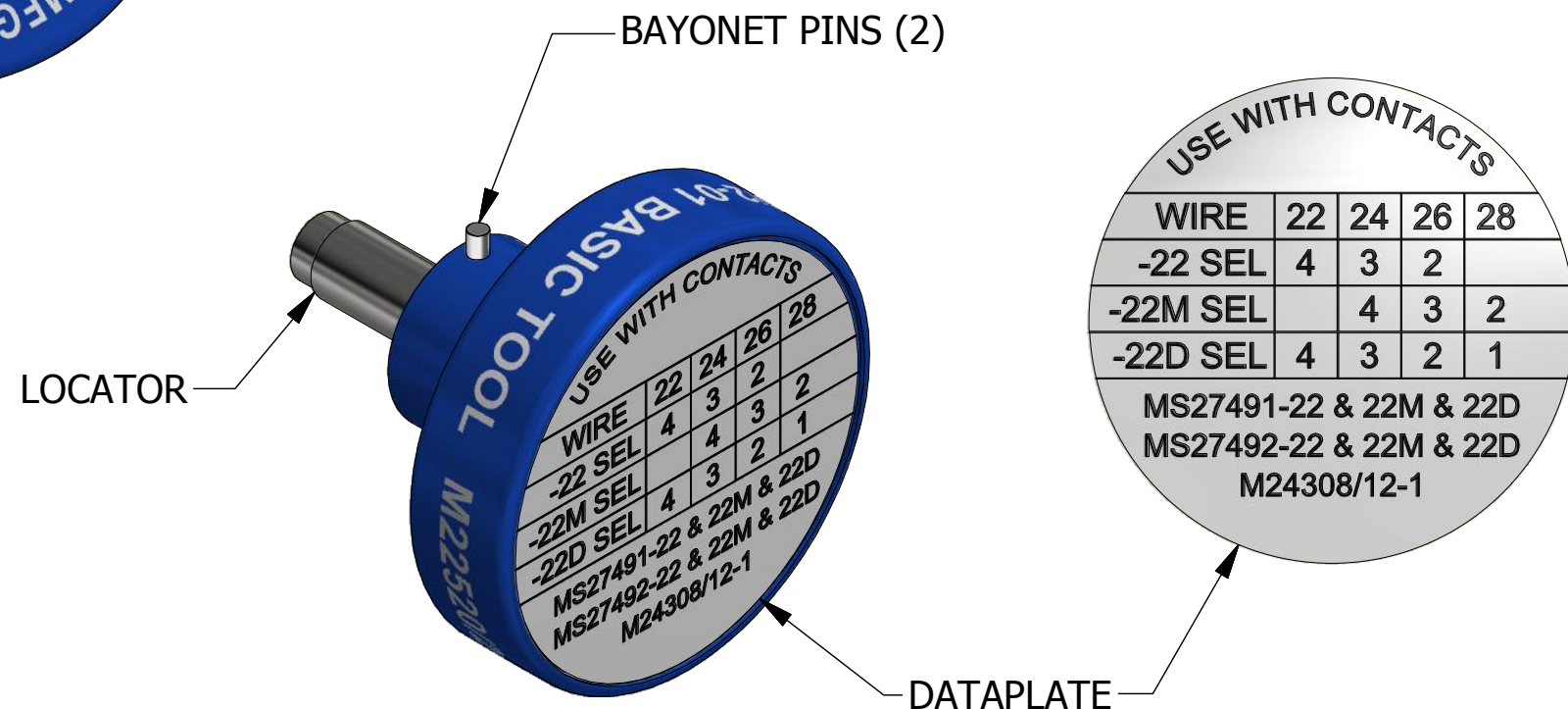
LOCATOR	
HOLE DIMENSIONS	ADDITIONAL FEATURES
Ø.073 ▽.745	

MATERIAL	ITEM	PART NO.	QTY.	DESCRIPTION / REMARKS
N/A	DRN. LMS CHK'D.	DATE 5/4/1987 DATE		DMC DANIELS MANUFACTURING CORP. ORLANDO, FLORIDA CAGE 11851
RESTRICTED & CONFIDENTIAL CONFIDENTIAL PROPERTY OF DANIELS MANUFACTURING CORP. NOT TO BE DISCLOSED TO OTHERS. REPRODUCTION OR USED FOR ANY OTHER PURPOSE EXCEPT AS AUTHORIZED IN WRITING BY DANIELS MANUFACTURING. MUST BE RETURNED TO DANIELS MANUFACTURING CORP. ON COMPLETION OF ORDER OR PURPOSES FOR WHICH LENT.	HEAT TREAT	N/A		NOTE: THIS DRAWING IS AN OUTLINE DRAWING OF THE RESPECTIVE DMC PART NUMBER INDICATED. ACTUAL DMC PART NUMBER IS CAD PART NUMBER WITHOUT THE "-ENV" SUFFIX
CREATED FROM AN INVENTOR MODEL. CHANGES MUST BE REFLECTED IN THE 3D PART	FINISH	N/A		TITLE POSITIONER (M22520/2-07) ENVELOPE DRAWING WHERE USED: AFM8
DO NOT SCALE DRAWING				SIZE B SCALE 3:1 CAD P/N K40-ENV SHEET 1 OF 1 DWG. NO. K40 REV. 4

REVISIONS						
REV	ECO NO.	DESCRIPTION	BY	DATE	APP'D BY	DATE
4		ADDED MIL NUMBER TO DWG	KDH	5/26/2010	RRR	5/26/2010
5	23573	UPDATED & REDRAWN	TonyD	4/9/2015		



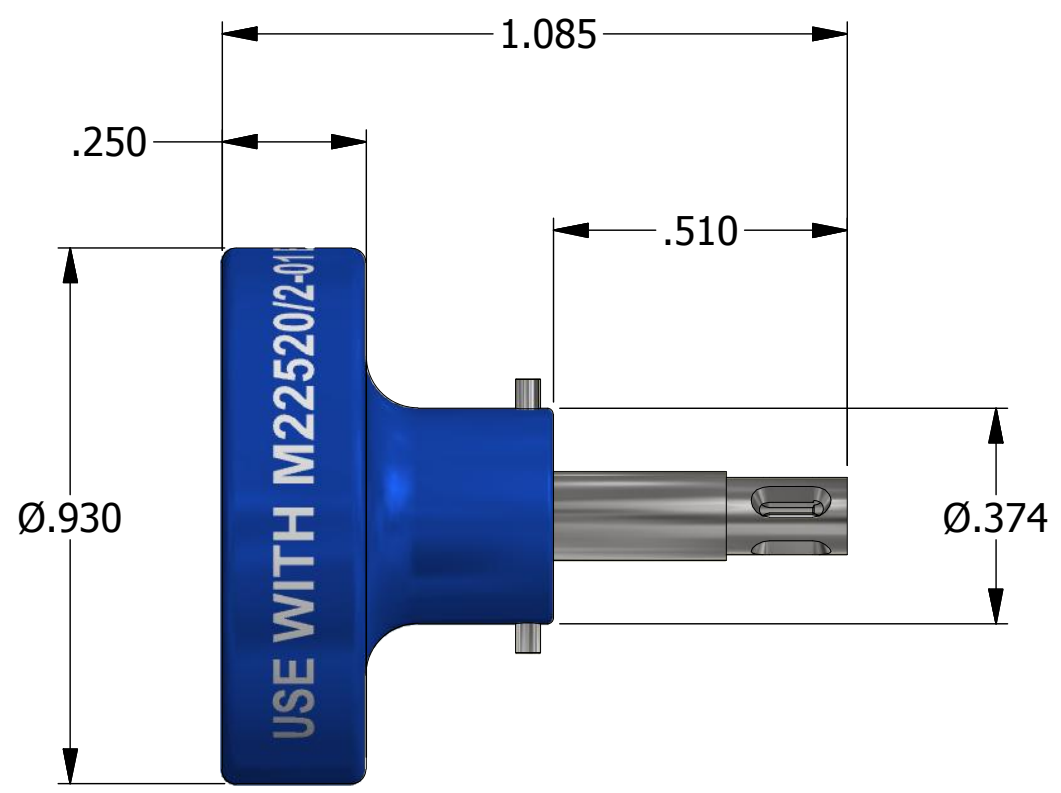
**UNCONTROLLED DOCUMENT
WILL NOT BE UPDATED**
DIMENSIONS IN INCHES - UNLESS OTHERWISE SPECIFIED



LOCATOR	
HOLE DIMENSIONS	ADDITIONAL FEATURES
Ø.073 √.408	

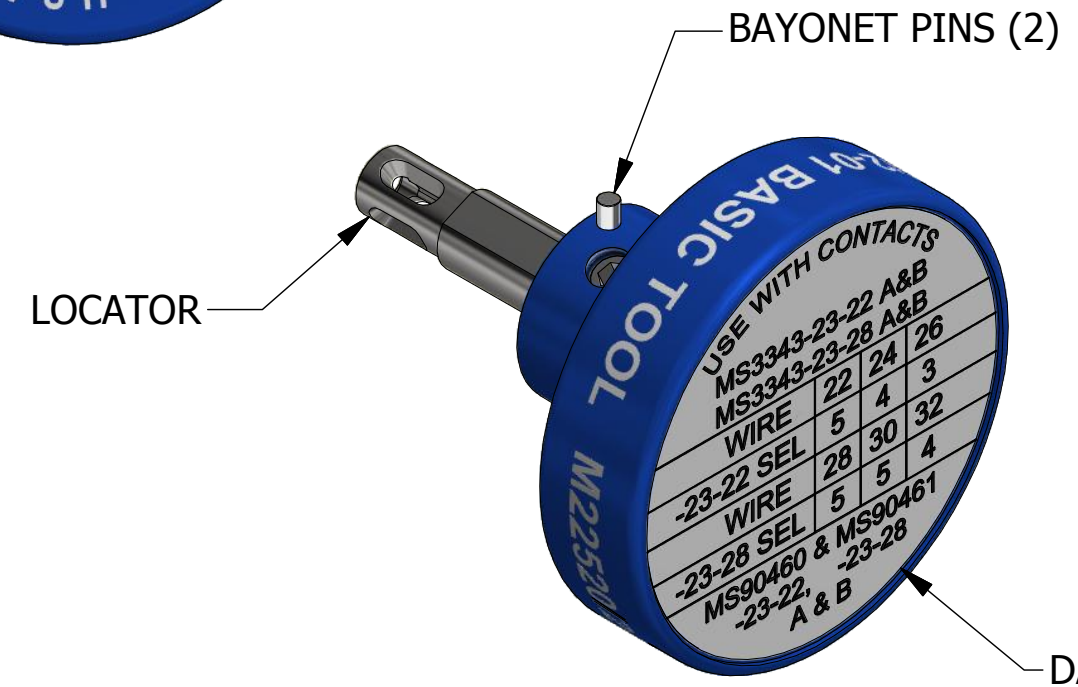
MATERIAL	ITEM	PART NO.	QTY.	DESCRIPTION / REMARKS
N/A	DRN. BY CHK'D.	DATE 9/5/1986 DATE		DMC DANIELS MANUFACTURING CORP. ORLANDO, FLORIDA CAGE 11851
RESTRICTED & CONFIDENTIAL CONFIDENTIAL PROPERTY OF DANIELS MANUFACTURING CORP. NOT TO BE DISCLOSED TO OTHERS. REPRODUCTION OR USED FOR ANY OTHER PURPOSE EXCEPT AS AUTHORIZED IN WRITING BY DANIELS MANUFACTURING. MUST BE RETURNED TO DANIELS MANUFACTURING CORP. ON COMPLETION OF ORDER OR PURPOSES FOR WHICH LENT.	HEAT TREAT	N/A		NOTE: THIS DRAWING IS AN OUTLINE DRAWING OF THE RESPECTIVE DMC PART NUMBER INDICATED. ACTUAL DMC PART NUMBER IS CAD PART NUMBER WITHOUT THE "-ENV" SUFFIX
CREATED FROM AN INVENTOR MODEL. CHANGES MUST BE REFLECTED IN THE 3D PART	FINISH	N/A		TITLE POSITIONER (M22520/2-06) ENVELOPE DRAWING WHERE USED: AFM8
DO NOT SCALE DRAWING				SIZE: B SCALE: 3:1 CAD P/N: K41-ENV SHEET: 1 OF 1 DWG. NO.: K41 REV.: 5

REVISIONS						
REV	ECO NO.	DESCRIPTION	BY	DATE	APP'D BY	DATE
1		REDRAWN	DH	10/6/1987	TS	10/6/1987
2	23573	UPDATED & REDRAWN	TonyD	4/8/2015		



**UNCONTROLLED DOCUMENT
WILL NOT BE UPDATED**

DIMENSIONS IN INCHES - UNLESS OTHERWISE SPECIFIED



USE WITH CONTACTS			
MS3343-23-22 A&B			
MS3343-23-28 A&B			
WIRE	22	24	26
-23-22 SEL	5	4	3
WIRE	28	30	32
-23-28 SEL	5	5	4
MS90460 & MS90461			
-23-22, -23-28			
A & B			

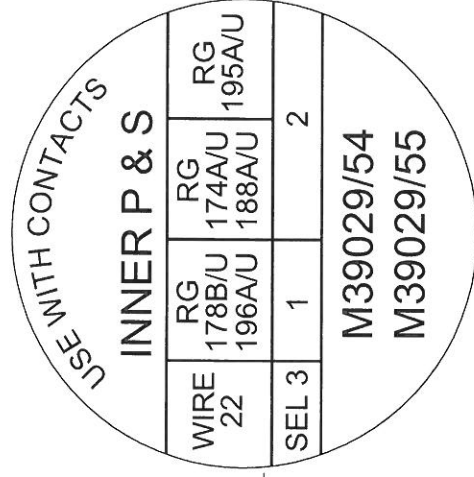
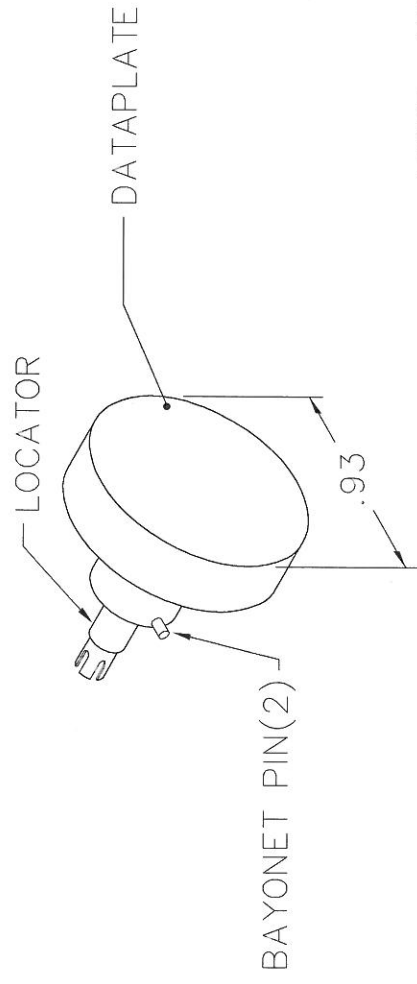
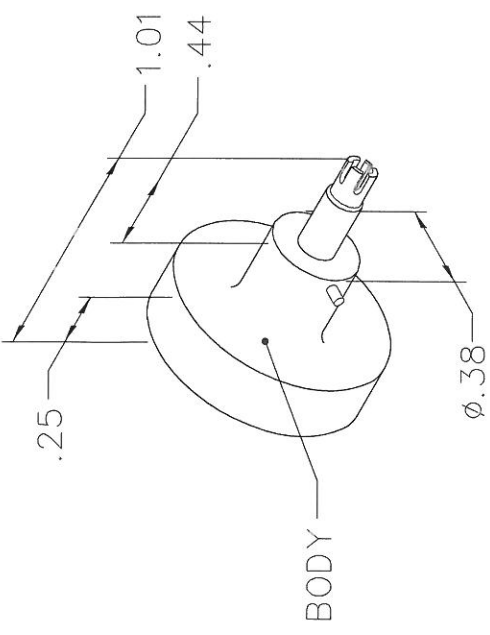
LOCATOR	
HOLE DIMENSIONS	ADDITIONAL FEATURES
Ø.055 ▽THRU	└┘Ø.065 ▽.057

MATERIAL	ITEM	PART NO.	QTY.	DESCRIPTION / REMARKS
N/A	DRN. DH CHK'D.	DATE 10/6/1987 DATE		DMC DANIELS MANUFACTURING CORP. ORLANDO, FLORIDA CAGE 11851
RESTRICTED & CONFIDENTIAL CONFIDENTIAL PROPERTY OF DANIELS MANUFACTURING CORP. NOT TO BE DISCLOSED TO OTHERS. REPRODUCTION OR USED FOR ANY OTHER PURPOSE EXCEPT AS AUTHORIZED IN WRITING BY DANIELS MANUFACTURING. MUST BE RETURNED TO DANIELS MANUFACTURING CORP. ON COMPLETION OF ORDER OR PURPOSES FOR WHICH LENT.	HEAT TREAT	N/A		NOTE: THIS DRAWING IS AN OUTLINE DRAWING OF THE RESPECTIVE DMC PART NUMBER INDICATED. ACTUAL DMC PART NUMBER IS CAD PART NUMBER WITHOUT THE "-ENV" SUFFIX
CREATED FROM AN INVENTOR MODEL. CHANGES MUST BE REFLECTED IN THE 3D PART	FINISH	N/A		TITLE POSITIONER (M22520/2-03) ENVELOPE DRAWING WHERE USED: AFM8
DO NOT SCALE DRAWING				SIZE: B SCALE: 3 : 1 CAD P/N: K60S-ENV SHEET: 1 OF 1 DWG. NO. K60S REV. 2

REVISIONS		
REV. SYM.	E.C.O. NUMBER	DESCRIPTION
2		REDRAWN

**UNCONTROLLED DOCUMENT
WILL NOT BE UPDATED**

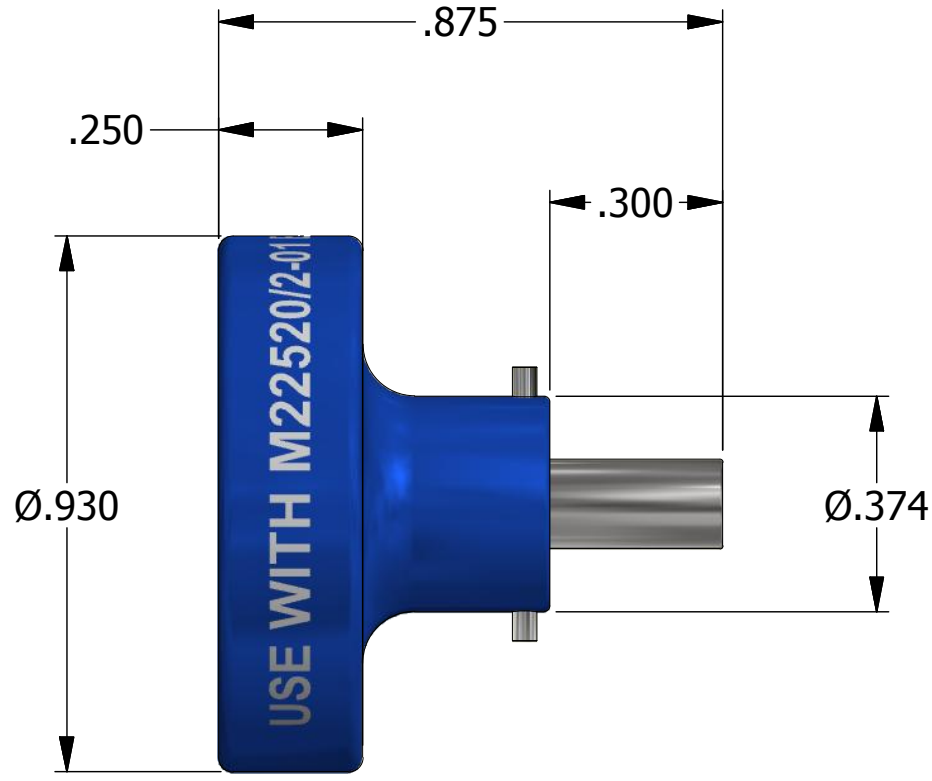
DIMENSIONS IN INCHES - UNLESS OTHERWISE SPECIFIED



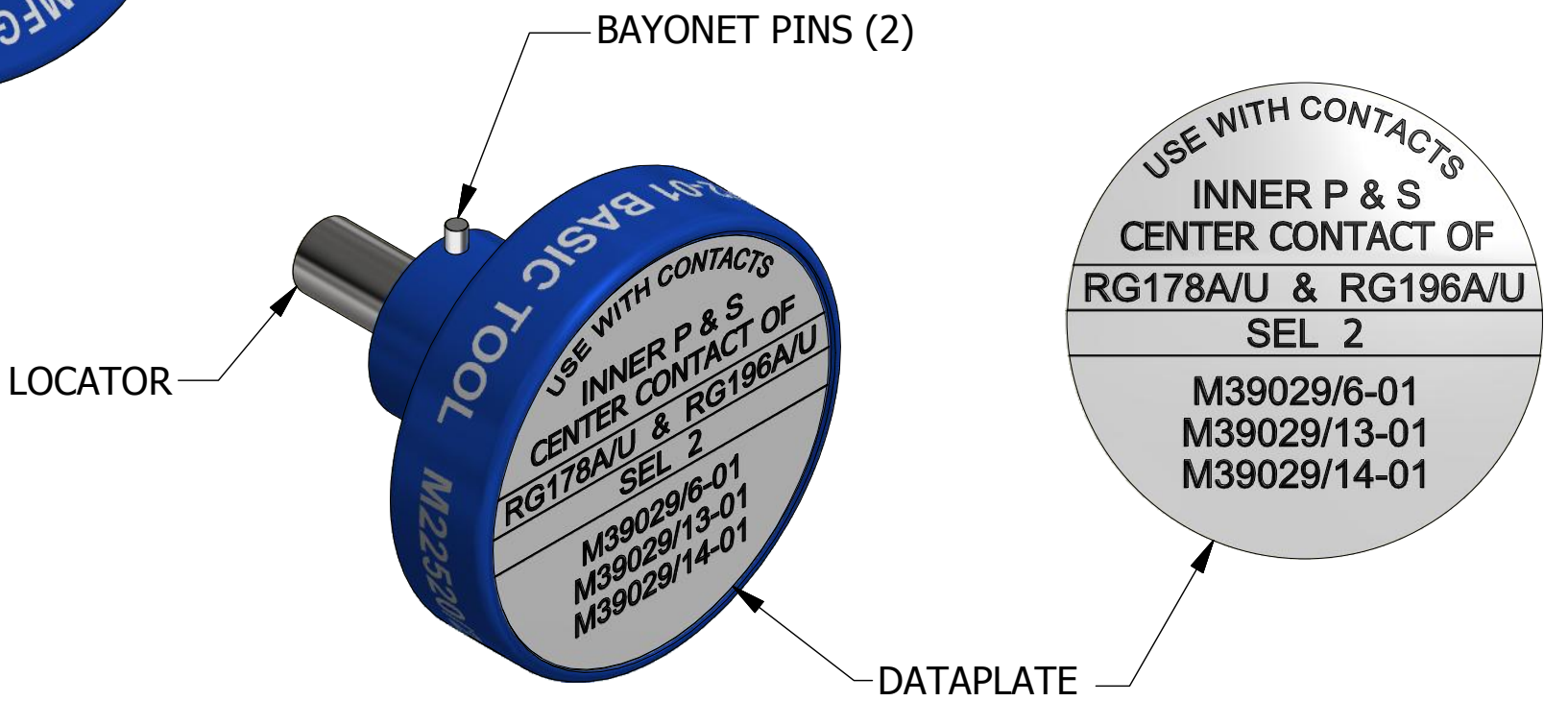
NOTE: FOR USE WITH DANIELS CRIMP TOOLS ACCOMMODATING "K" SERIES POSITIONERS

LOCATOR HOLE DIMENSIONS $\phi .059$ $\nabla .66$ MIN		ADDITIONAL FEATURES 	
RESTRICTED & CONFIDENTIAL CONFIDENTIAL PROPERTY OF DANIELS MANUFACTURING CORP. NOT TO BE DISCLOSED TO OTHERS, REPRODUCED OR USED FOR ANY OTHER PURPOSE, EXCEPT AS AUTHORIZED IN WRITING BY DANIELS MANUFACTURING. MUST BE RETURNED TO DANIELS MANUFACTURING CORP. ON COMPLETION OF ORDER OR OTHER PURPOSE FOR WHICH LENT. DO NOT SCALE DRAWING			
DRN.	LW	DATE	4-22-89
CHK'D.	TS	DATE	4-25-89
APP'D.	AM	DATE	4-25-89
APP'D.		DATE	
NOTE: THIS DRAWING IS AN OUTLINE DRAWING OF THE RESPECTIVE DMC PART NUMBER INDICATED. ACTUAL DMC PART NUMBER IS DRAWING NUMBER WITHOUT THE "-ENV" SUFFIX.			
DANIELS MANUFACTURING CORP. ORLANDO, FLORIDA CAGE 11851		TITLE ENVELOPE DRAWING POSITIONER M22520/2-33	
WHERE USED: AFM8		SIZE	SCALE
DWG. NO. K74S-ENV		A	NTS
SHEET 1 OF 1		CAD P/N	K74S-ENV
REV. 2		POSTING	

REVISIONS						
REV	ECO NO.	DESCRIPTION	BY	DATE	APP'D BY	DATE
1		ORIGINAL RELEASE	JWJ	5/4/2003	RRR	5/4/2003
2	23573	UPDATED & REDRAWN	TonyD	6/28/2015		



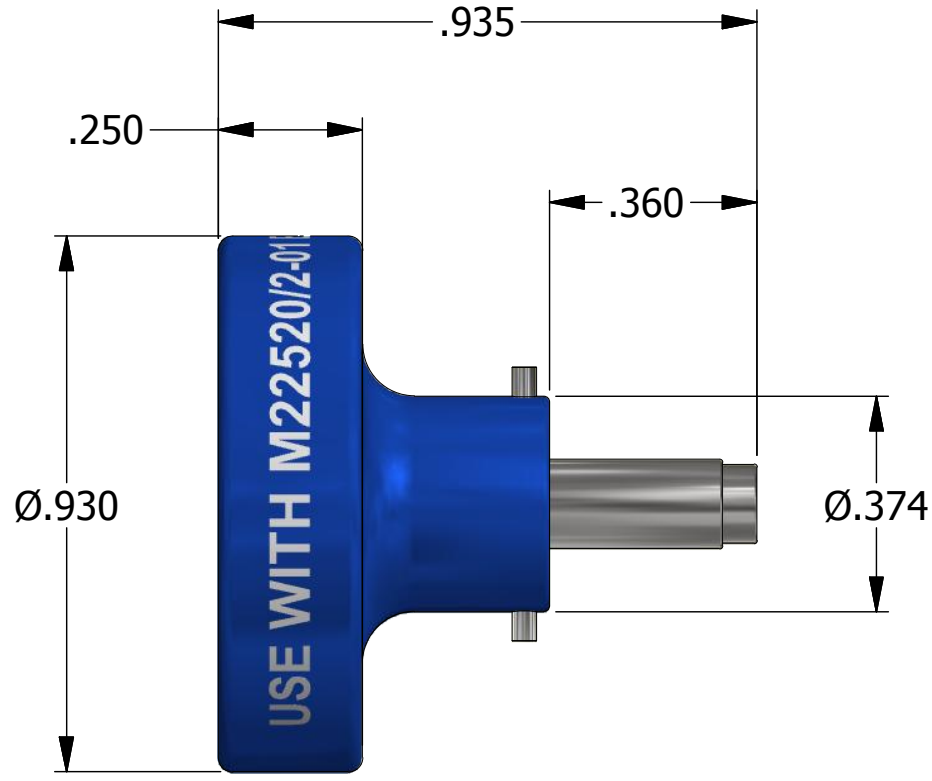
**UNCONTROLLED DOCUMENT
WILL NOT BE UPDATED**
DIMENSIONS IN INCHES - UNLESS OTHERWISE SPECIFIED



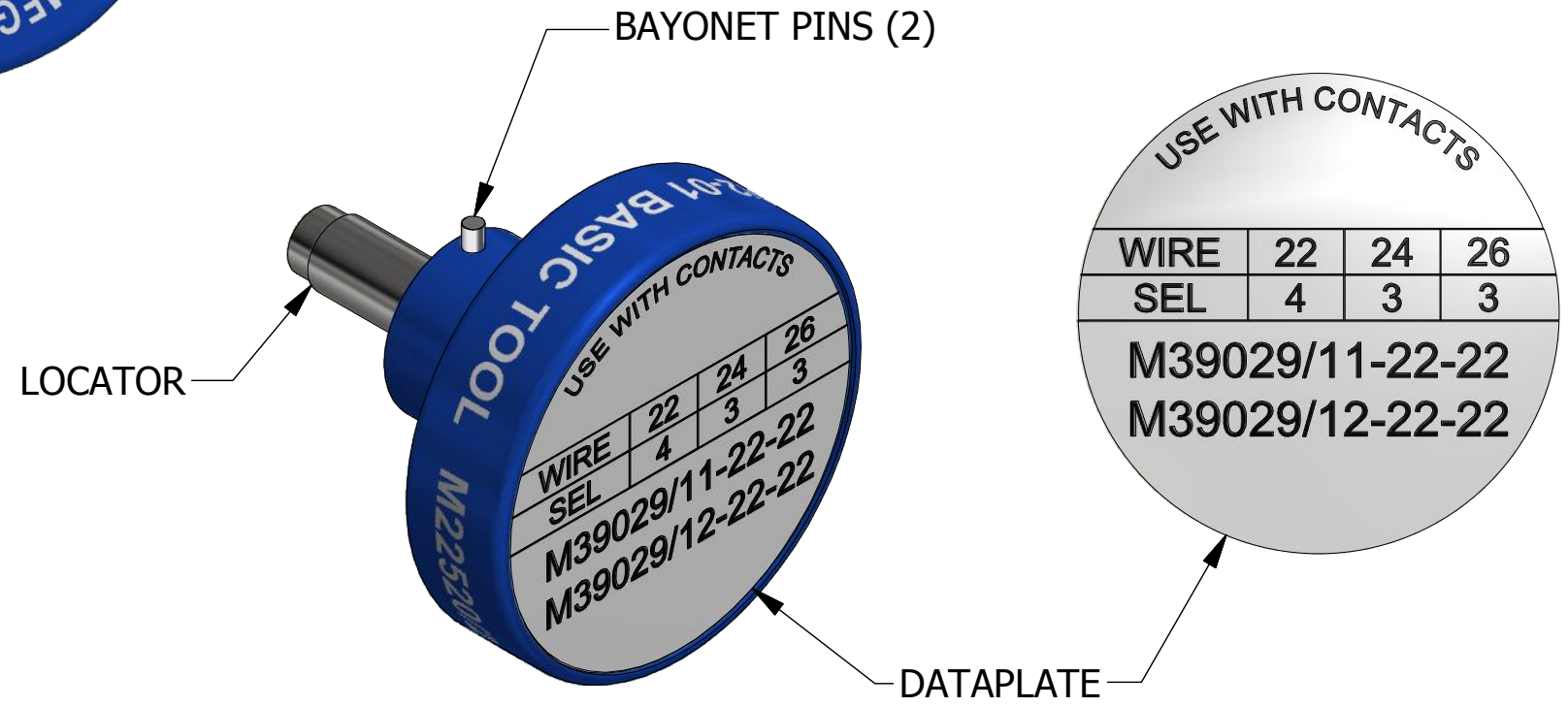
LOCATOR	
HOLE DIMENSIONS	ADDITIONAL FEATURES
Ø.067 ▽THRU	Ø.085 ▽.008

MATERIAL	ITEM	PART NO.	QTY.	DESCRIPTION / REMARKS
N/A	DRN. J. JOYCE CHK'D.	DATE 5/4/2003 DATE		DMC DANIELS MANUFACTURING CORP. ORLANDO, FLORIDA CAGE 11851
RESTRICTED & CONFIDENTIAL CONFIDENTIAL PROPERTY OF DANIELS MANUFACTURING CORP. NOT TO BE DISCLOSED TO OTHERS. REPRODUCTION OR USED FOR ANY OTHER PURPOSE EXCEPT AS AUTHORIZED IN WRITING BY DANIELS MANUFACTURING. MUST BE RETURNED TO DANIELS MANUFACTURING CORP. ON COMPLETION OF ORDER OR PURPOSES FOR WHICH LENT.	HEAT TREAT	N/A		NOTE: THIS DRAWING IS AN OUTLINE DRAWING OF THE RESPECTIVE DMC PART NUMBER INDICATED. ACTUAL DMC PART NUMBER IS CAD PART NUMBER WITHOUT THE "-ENV" SUFFIX
CREATED FROM AN INVENTOR MODEL. CHANGES MUST BE REFLECTED IN THE 3D PART	FINISH	N/A		TITLE POSITIONER (M22520/2-26) ENVELOPE DRAWING WHERE USED: AFM8
DO NOT SCALE DRAWING				SIZE B SCALE 3:1 CAD P/N K262-1-ENV SHEET 1 OF 1 DWG. NO. K262-1 REV. 2

REVISIONS						
REV	ECO NO.	DESCRIPTION	BY	DATE	APP'D BY	DATE
2		REDRAWN	AAM	10/29/1999		
3	23573	UPDATED & REDRAWN	TonyD	6/23/2015		

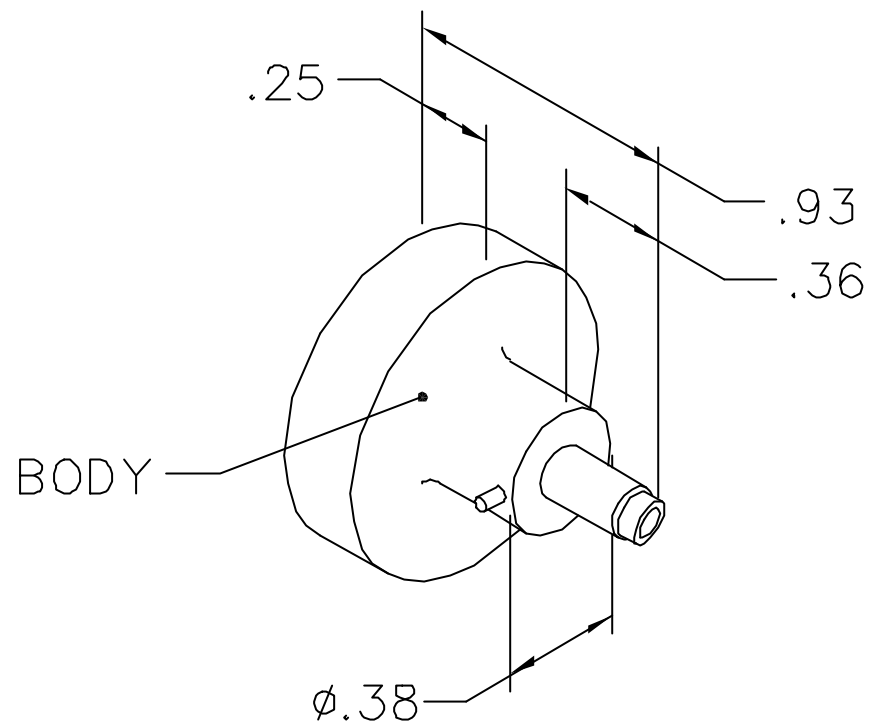


**UNCONTROLLED DOCUMENT
WILL NOT BE UPDATED**
DIMENSIONS IN INCHES - UNLESS OTHERWISE SPECIFIED



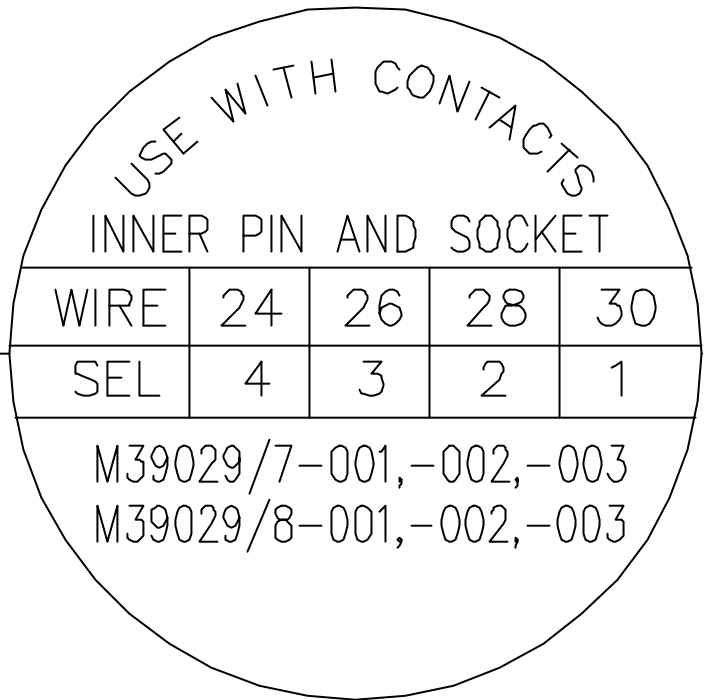
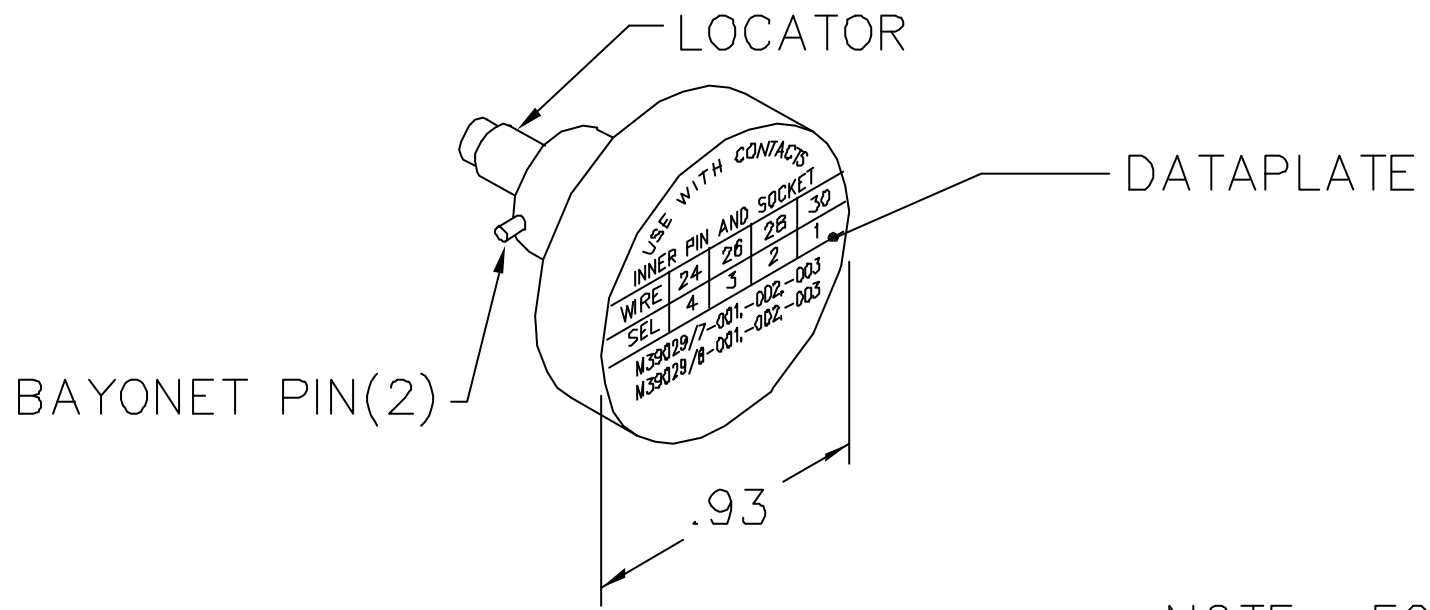
LOCATOR	
HOLE DIMENSIONS	ADDITIONAL FEATURES
Ø.063 ▽THRU	└┘Ø.093 ▽.165

MATERIAL	ITEM	PART NO.	QTY.	DESCRIPTION / REMARKS
N/A	DRN. DH CHK'D.	DATE 10/6/1987 DATE		DMC DANIELS MANUFACTURING CORP. ORLANDO, FLORIDA CAGE 11851
RESTRICTED & CONFIDENTIAL CONFIDENTIAL PROPERTY OF DANIELS MANUFACTURING CORP. NOT TO BE DISCLOSED TO OTHERS. REPRODUCTION OR USED FOR ANY OTHER PURPOSE EXCEPT AS AUTHORIZED IN WRITING BY DANIELS MANUFACTURING. MUST BE RETURNED TO DANIELS MANUFACTURING CORP. ON COMPLETION OF ORDER OR PURPOSES FOR WHICH LENT.	HEAT TREAT	N/A		NOTE: THIS DRAWING IS AN OUTLINE DRAWING OF THE RESPECTIVE DMC PART NUMBER INDICATED. ACTUAL DMC PART NUMBER IS CAD PART NUMBER WITHOUT THE "-ENV" SUFFIX
CREATED FROM AN INVENTOR MODEL. CHANGES MUST BE REFLECTED IN THE 3D PART	FINISH	N/A		TITLE POSITIONER (M22520/2-23) ENVELOPE DRAWING WHERE USED: AFM8
DO NOT SCALE DRAWING				SIZE B SCALE 3:1 CAD P/N K267-1-ENV SHEET 1 OF 1 DWG. NO. K267-1 REV. 3



REVISIONS				
REV. SYM.	E.C.O. NUMBER	DESCRIPTION	BY DATE	APP'D DATE
1		ORIGINAL RELEASE	LME 11-17-86	DJR 11-17-86

**UNCONTROLLED DOCUMENT
WILL NOT BE UPDATED**



NOTE: FOR USE WITH DANIELS CRIMP TOOLS
ACCOMMODATING "K" SERIES POSITIONERS

LOCATOR	
HOLE DIMENSIONS	ADDITIONAL FEATURES
$\phi .052$ ▽ .58 MIN.	$\phi .062$ ▽ .102

RESTRICTED & CONFIDENTIAL

CONFIDENTIAL PROPERTY OF DANIELS MANUFACTURING CORP. NOT TO BE DISCLOSED TO OTHERS, REPRODUCED OR USED FOR ANY OTHER PURPOSE, EXCEPT AS AUTHORIZED IN WRITING BY DANIELS MANUFACTURING. MUST BE RETURNED TO DANIELS MANUFACTURING CORP. ON COMPLETION OF ORDER OR OTHER PURPOSE FOR WHICH LENT.

DRN.	LME	DATE
CHK'D.	BY	DATE
APP'D.	DJR	DATE
APP'D.		DATE
NOTE:		
THIS DRAWING IS AN OUTLINE DRAWING OF THE RESPECTIVE DMC PART NUMBER INDICATED. ACTUAL DMC PART NUMBER IS DRAWING NUMBER WITHOUT THE "-ENV" SUFFIX.		

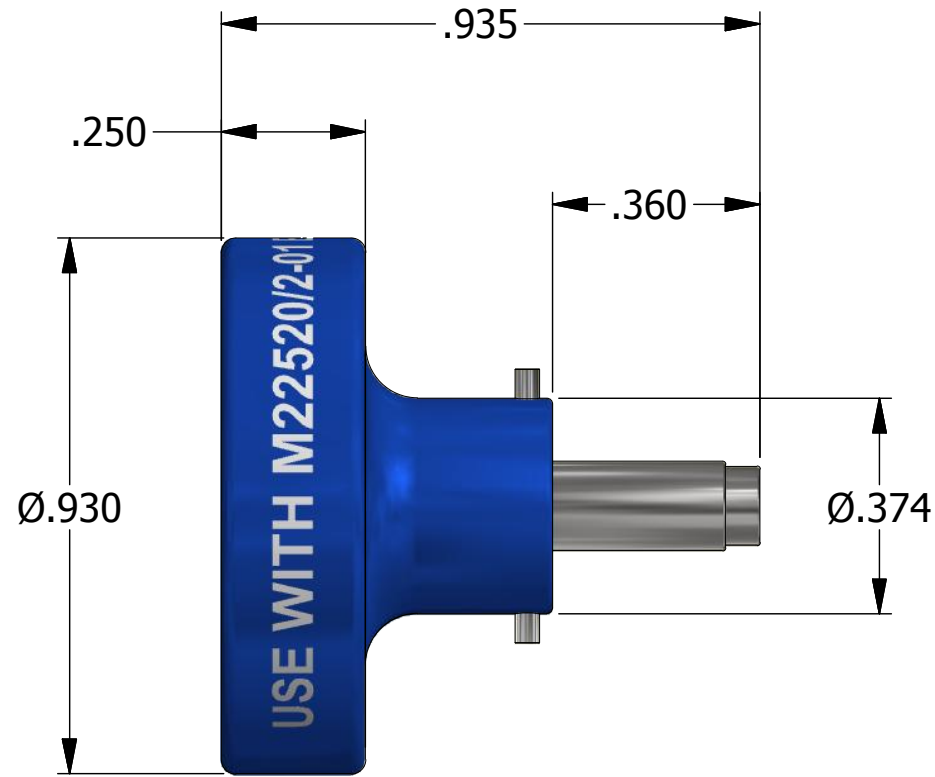
DANIELS MANUFACTURING CORP.
ORLANDO, FLORIDA
CAGE 11851

TITLE		
ENVELOPE DRAWING POSITIONER (M22520/2-27)		
WHERE USED: AFMB		
SIZE	SCALE	CAD P/N
A	NTS	K269-1-ENV
POSTING	DWG. NO.	SHEET OF
	K269-1-ENV	1 1
	REV.	
	1	

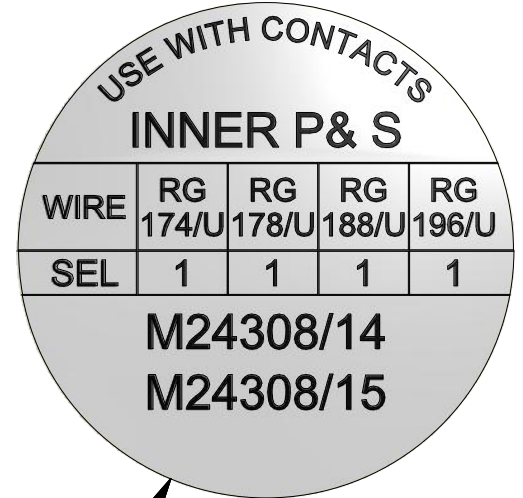
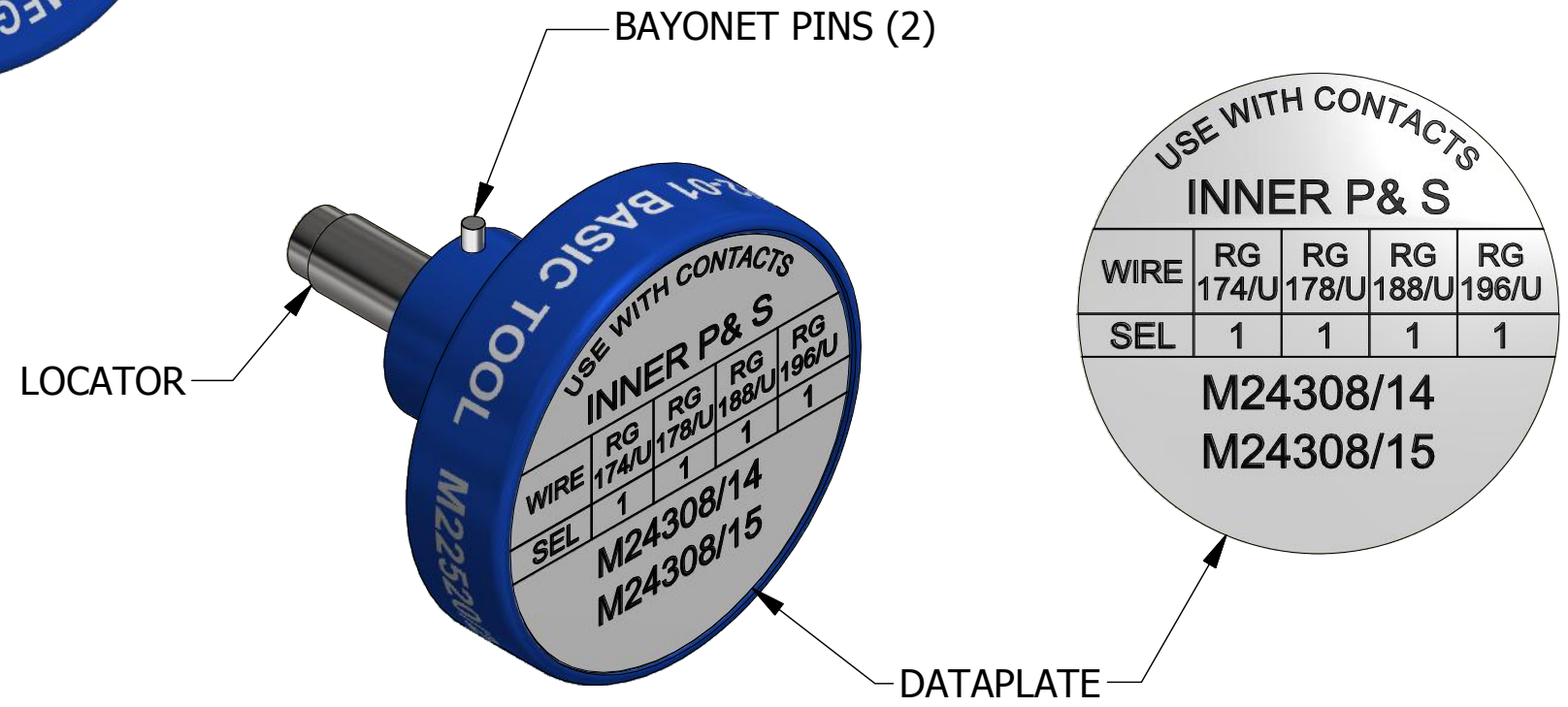
DO NOT SCALE DRAWING

REVISIONS

REV	ECO NO.	DESCRIPTION	BY	DATE	APP'D BY	DATE
1		ORIGINAL RELEASE	JMC	7/17/2003	RRR	7/17/2003
2	23573	UPDATED & REDRAWN	TonyD	5/11/2015		

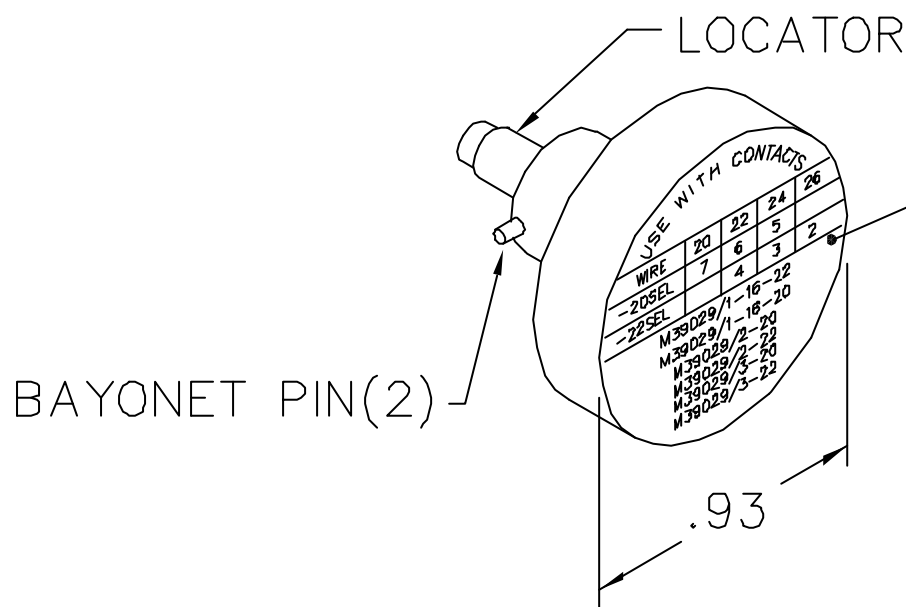
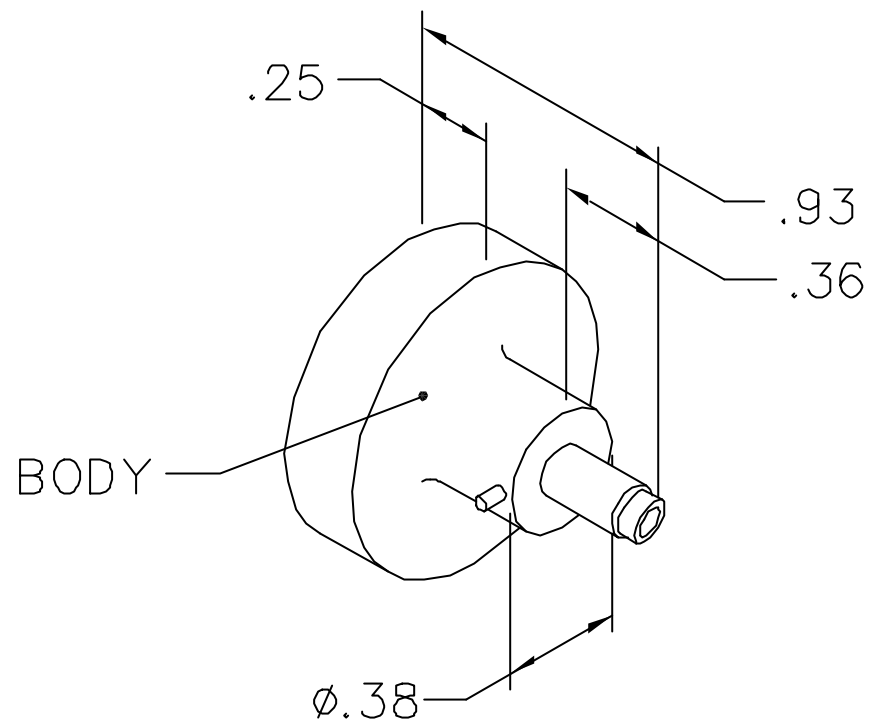


**UNCONTROLLED DOCUMENT
WILL NOT BE UPDATED**
DIMENSIONS IN INCHES - UNLESS OTHERWISE SPECIFIED



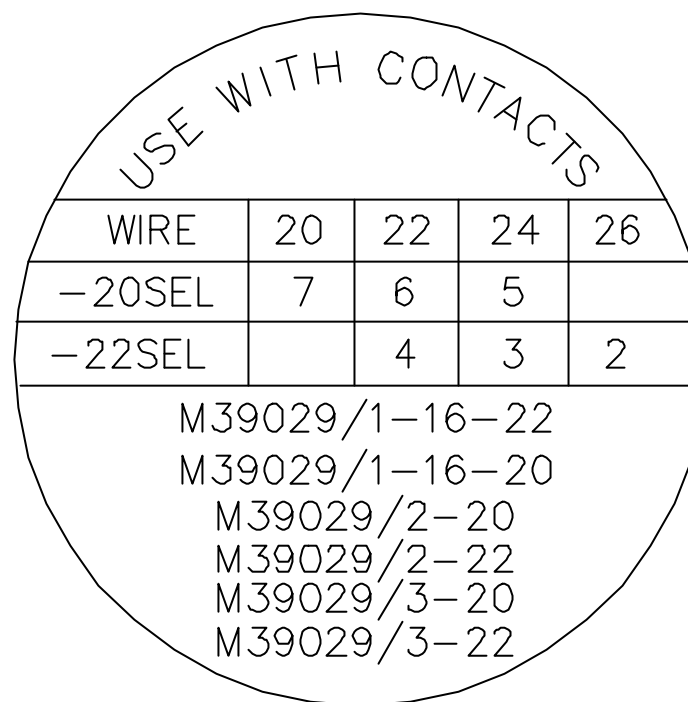
LOCATOR		
HOLE DIMENSIONS	ADDITIONAL FEATURES	
Ø.033 ▽.283	└┘Ø.054 ▽.055	└┘Ø.063 ▽.026

MATERIAL	ITEM	PART NO.	QTY.	DESCRIPTION / REMARKS
N/A	JMC			DANIELS MANUFACTURING CORP. ORLANDO, FLORIDA CAGE 11851
RESTRICTED & CONFIDENTIAL CONFIDENTIAL PROPERTY OF DANIELS MANUFACTURING CORP. NOT TO BE DISCLOSED TO OTHERS. REPRODUCTION OR USED FOR ANY OTHER PURPOSE EXCEPT AS AUTHORIZED IN WRITING BY DANIELS MANUFACTURING. MUST BE RETURNED TO DANIELS MANUFACTURING CORP. ON COMPLETION OF ORDER OR PURPOSES FOR WHICH LENT.	HEAT TREAT	N/A		NOTE: THIS DRAWING IS AN OUTLINE DRAWING OF THE RESPECTIVE DMC PART NUMBER INDICATED. ACTUAL DMC PART NUMBER IS CAD PART NUMBER WITHOUT THE "-ENV" SUFFIX TITLE: POSITIONER (M22520/2-12) ENVELOPE DRAWING WHERE USED: AFM8
CREATED FROM AN INVENTOR MODEL. CHANGES MUST BE REFLECTED IN THE 3D PART	FINISH	N/A		
DO NOT SCALE DRAWING				
		SIZE	SCALE	CAD P/N
		B	3 : 1	K286-ENV
		DWG. NO.		SHEET
		K286		1 OF 1
				REV.
				2



REVISIONS				
REV. SYM.	E.C.O. NUMBER	DESCRIPTION	BY DATE	APP'D DATE
1		ORIGINAL RELEASE	TS 10-2-87	LE 10-2-87

**UNCONTROLLED DOCUMENT
WILL NOT BE UPDATED**



NOTE: FOR USE WITH DANIELS CRIMP TOOL, AFM8.

LOCATOR	
HOLE DIMENSIONS	ADDITIONAL FEATURES
ϕ .073 ∇ .580 MIN.	\sqsubset ϕ .106 ∇ .097

RESTRICTED & CONFIDENTIAL

CONFIDENTIAL PROPERTY OF DANIELS MANUFACTURING CORP. NOT TO BE DISCLOSED TO OTHERS, REPRODUCED OR USED FOR ANY OTHER PURPOSE, EXCEPT AS AUTHORIZED IN WRITING BY DANIELS MANUFACTURING. MUST BE RETURNED TO DANIELS MANUFACTURING CORP. ON COMPLETION OF ORDER OR OTHER PURPOSE FOR WHICH LENT.

DO NOT SCALE DRAWING

DRN.	TS	DATE
		10-2-87
CHK'D.	LE	DATE
		10-8-87
APP'D.	AM	DATE
		10-9-87
APP'D.		DATE

NOTE:

THIS DRAWING IS AN OUTLINE DRAWING OF THE RESPECTIVE DMC PART NUMBER INDICATED. ACTUAL DMC PART NUMBER IS DRAWING NUMBER WITHOUT THE "-ENV" SUFFIX.

DANIELS MANUFACTURING CORP.
 ORLANDO, FLORIDA
 CAGE 11851

TITLE

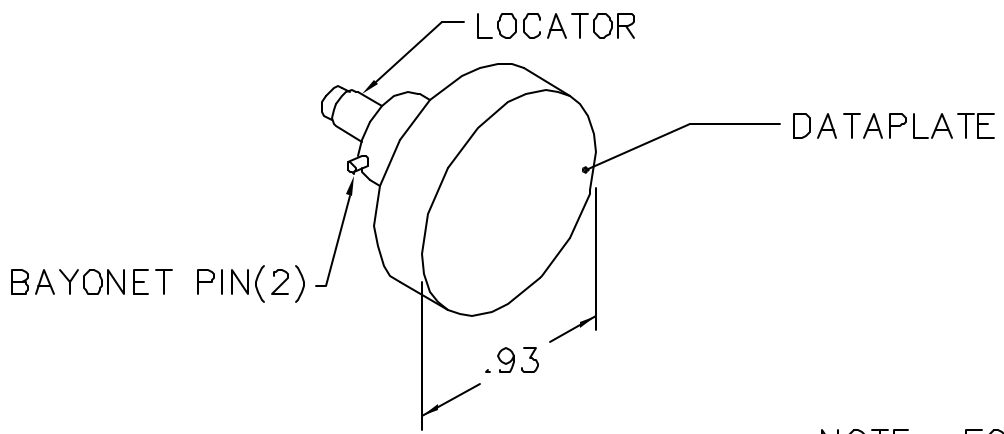
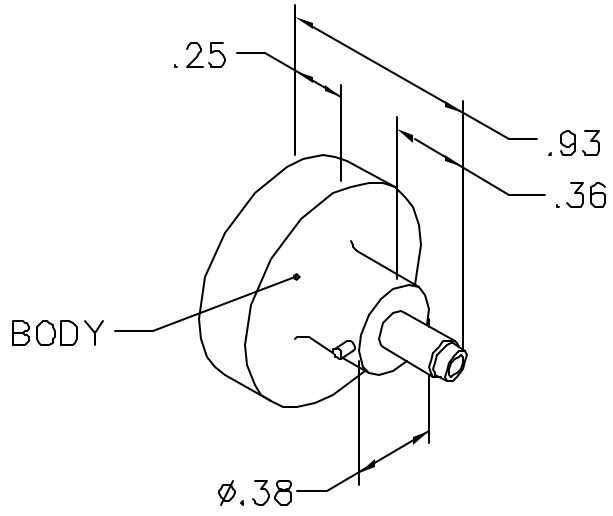
**ENVELOPE DRAWING
POSITIONER (M22520/2-11)**

WHERE USED: AFM8

SIZE	SCALE	CAD P/N	SHEET	OF
A	NTS	K287-ENV	1	1
POSTING	DWG. NO.	REV.		
	K287-ENV	1		

REVISIONS				
REV. SYM.	E.C.O. NUMBER	DESCRIPTION	BY DATE	APP'D DATE
1		ORIGINAL RELEASE	LLW 4/21/89	JS 4/89

**UNCONTROLLED DOCUMENT
WILL NOT BE UPDATED**



INNER P & S	
CABLE	SEL. NO.
RG179B/U, RG187A/U RG180B/U, RG195A/U	3
RG161/U, RG174A/U RG188A/U, RG316/U	4
M39029/27 M39029/28 M39029/75	

NOTE: FOR USE WITH DANIELS CRIMP TOOLS
ACCOMMODATING "K" SERIES POSITIONERS

LOCATOR	
HOLE DIMENSIONS	ADDITIONAL FEATURES
ϕ .036 ∇ .365	\sqcap ϕ .054 ∇ .040

RESTRICTED & CONFIDENTIAL

CONFIDENTIAL PROPERTY OF DANIELS MANUFACTURING CORP. NOT TO BE DISCLOSED TO OTHERS, REPRODUCED OR USED FOR ANY OTHER PURPOSE, EXCEPT AS AUTHORIZED IN WRITING BY DANIELS MANUFACTURING. MUST BE RETURNED TO DANIELS MANUFACTURING CORP. ON COMPLETION OF ORDER OR OTHER PURPOSE FOR WHICH LENT.

DO NOT SCALE DRAWING

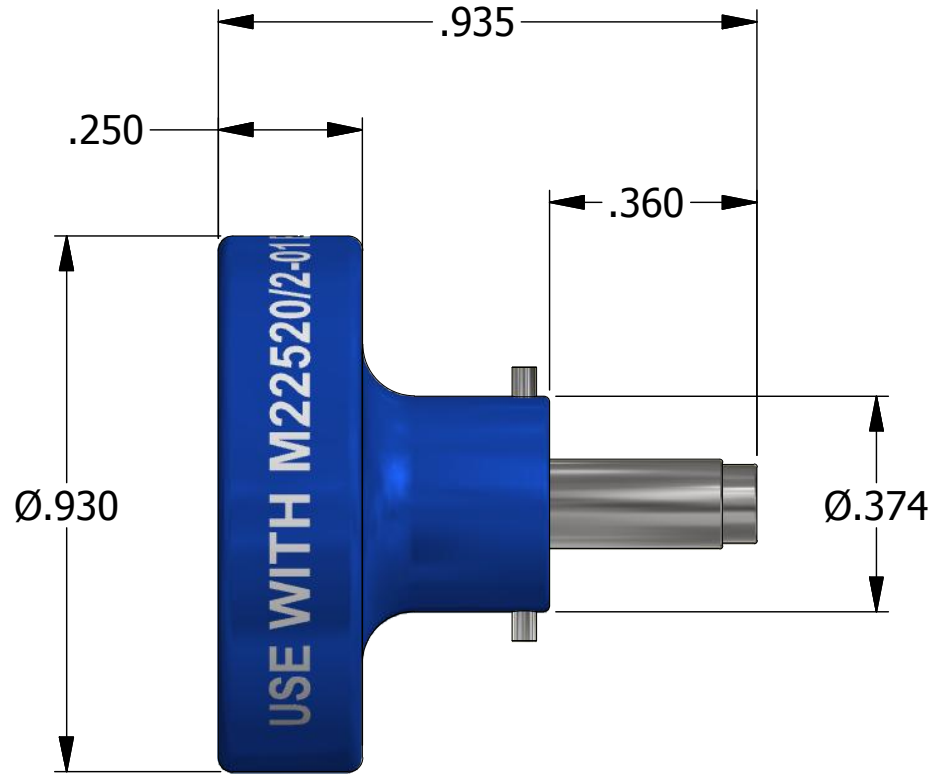
DRN.	LLW	DATE 4/21/89
CHK'D.	JS	DATE 4/29/89
APP'D.	AAM	DATE 4/29/89
APP'D.		DATE



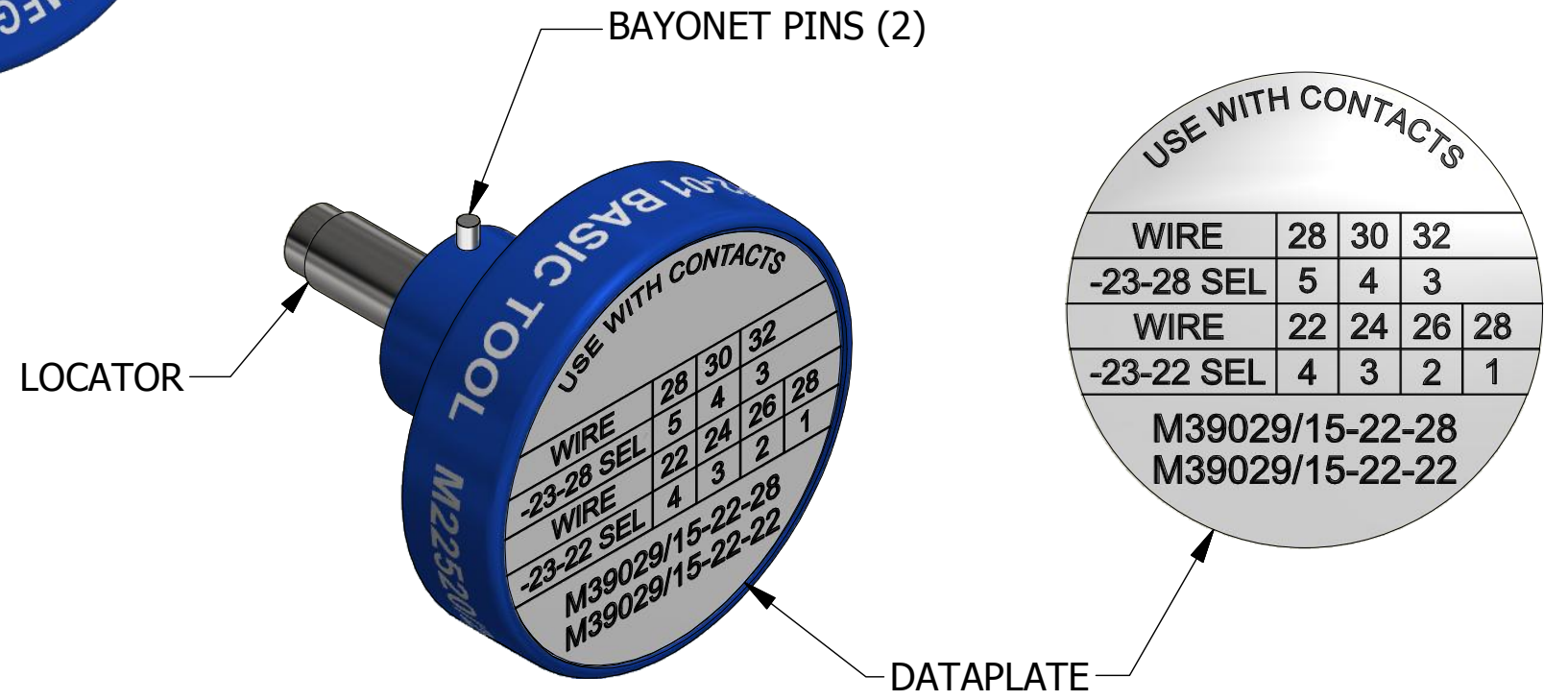
DANIELS MANUFACTURING CORP.
ORLANDO, FLORIDA
CAGE 11851

TITLE POSITIONER ENVELOPE DRAWING (M22520/2-34)			
WHERE USED: AFMB			
SIZE A	SCALE NTS	CAD P/N K323-ENV	SHEET OF 1 1
POSTING	P/N K323-ENV		REV. 1

REVISIONS						
REV	ECO NO.	DESCRIPTION	BY	DATE	APP'D BY	DATE
1		ORIGINAL RELEASE	LLW	7/3/1990	PD	7/3/1990
2	23573	UPDATED & REDRAWN	TonyD	6/11/2015		



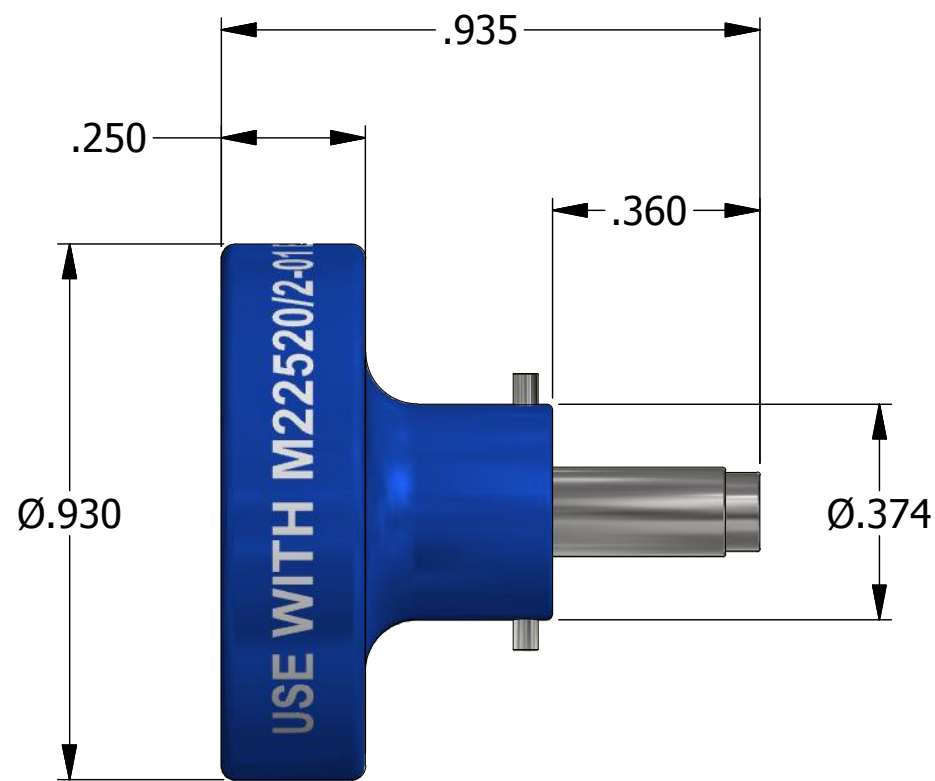
**UNCONTROLLED DOCUMENT
WILL NOT BE UPDATED**
DIMENSIONS IN INCHES - UNLESS OTHERWISE SPECIFIED



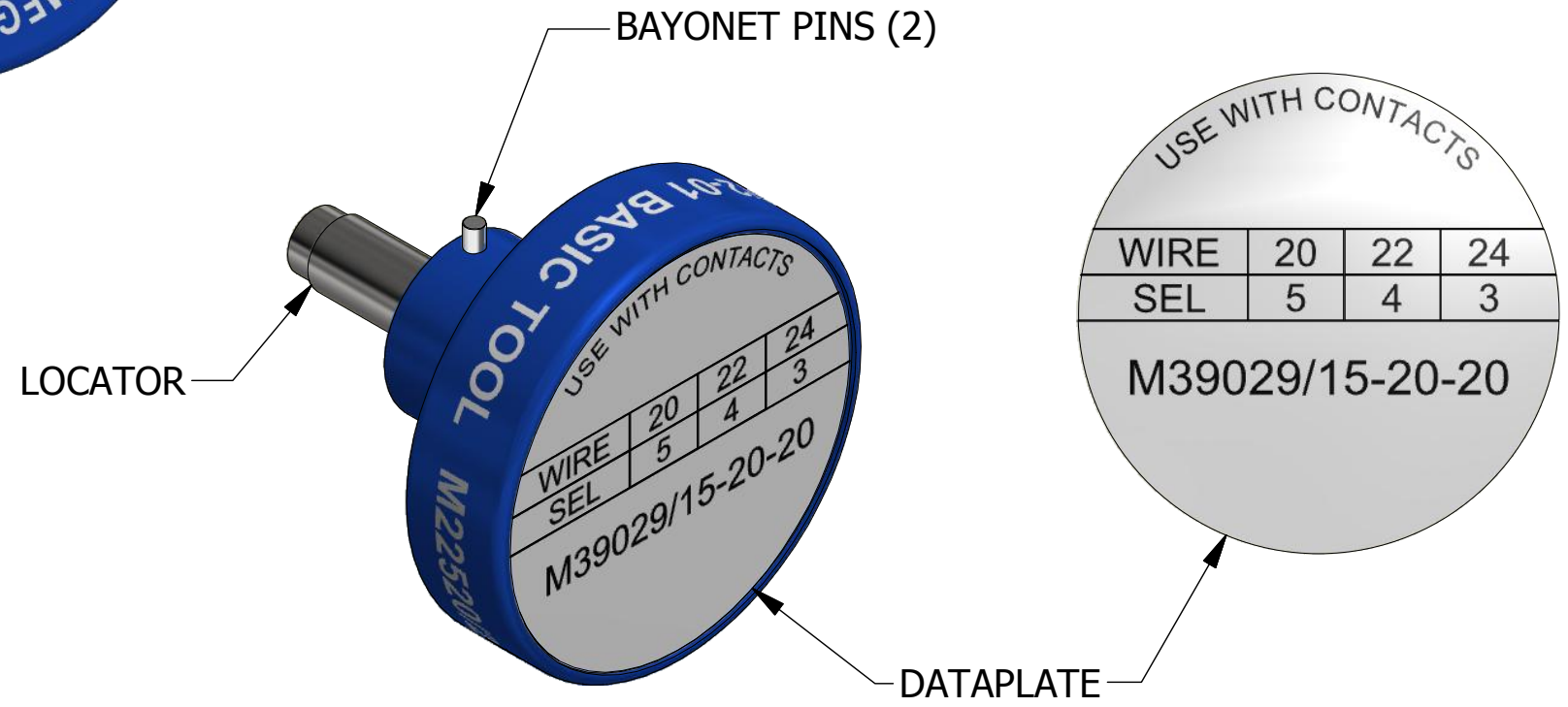
LOCATOR	
HOLE DIMENSIONS	ADDITIONAL FEATURES
Ø.062 ▽.218	

MATERIAL	ITEM	PART NO.	QTY.	DESCRIPTION / REMARKS
N/A	DRN. LW CHK'D.	DATE 7/3/1990 DATE		DMC DANIELS MANUFACTURING CORP. ORLANDO, FLORIDA CAGE 11851
RESTRICTED & CONFIDENTIAL CONFIDENTIAL PROPERTY OF DANIELS MANUFACTURING CORP. NOT TO BE DISCLOSED TO OTHERS. REPRODUCTION OR USED FOR ANY OTHER PURPOSE EXCEPT AS AUTHORIZED IN WRITING BY DANIELS MANUFACTURING. MUST BE RETURNED TO DANIELS MANUFACTURING CORP. ON COMPLETION OF ORDER OR PURPOSES FOR WHICH LENT.	HEAT TREAT	N/A		NOTE: THIS DRAWING IS AN OUTLINE DRAWING OF THE RESPECTIVE DMC PART NUMBER INDICATED. ACTUAL DMC PART NUMBER IS CAD PART NUMBER WITHOUT THE "-ENV" SUFFIX
CREATED FROM AN INVENTOR MODEL. CHANGES MUST BE REFLECTED IN THE 3D PART	FINISH	N/A		TITLE POSITIONER (M22520/2-19) ENVELOPE DRAWING WHERE USED: AFM8
DO NOT SCALE DRAWING				SIZE B SCALE 3:1 CAD P/N K330-2-ENV SHEET 1 OF 1 DWG. NO. K330-2 REV. 2

REVISIONS						
REV	ECO NO.	DESCRIPTION	BY	DATE	APP'D BY	DATE
1		ORIGINAL RELEASE	DH	3/1/1988	JS	3/1/1988
2	23573	UPDATED & REDRAWN	TonyD	6/12/2015		



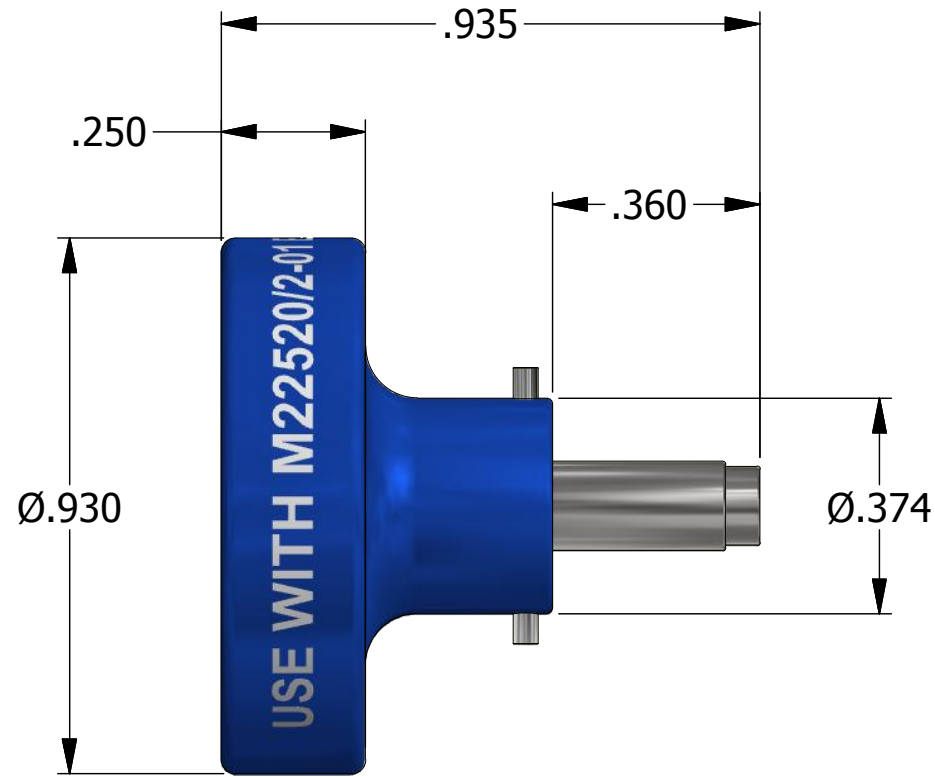
**UNCONTROLLED DOCUMENT
WILL NOT BE UPDATED**
DIMENSIONS IN INCHES - UNLESS OTHERWISE SPECIFIED



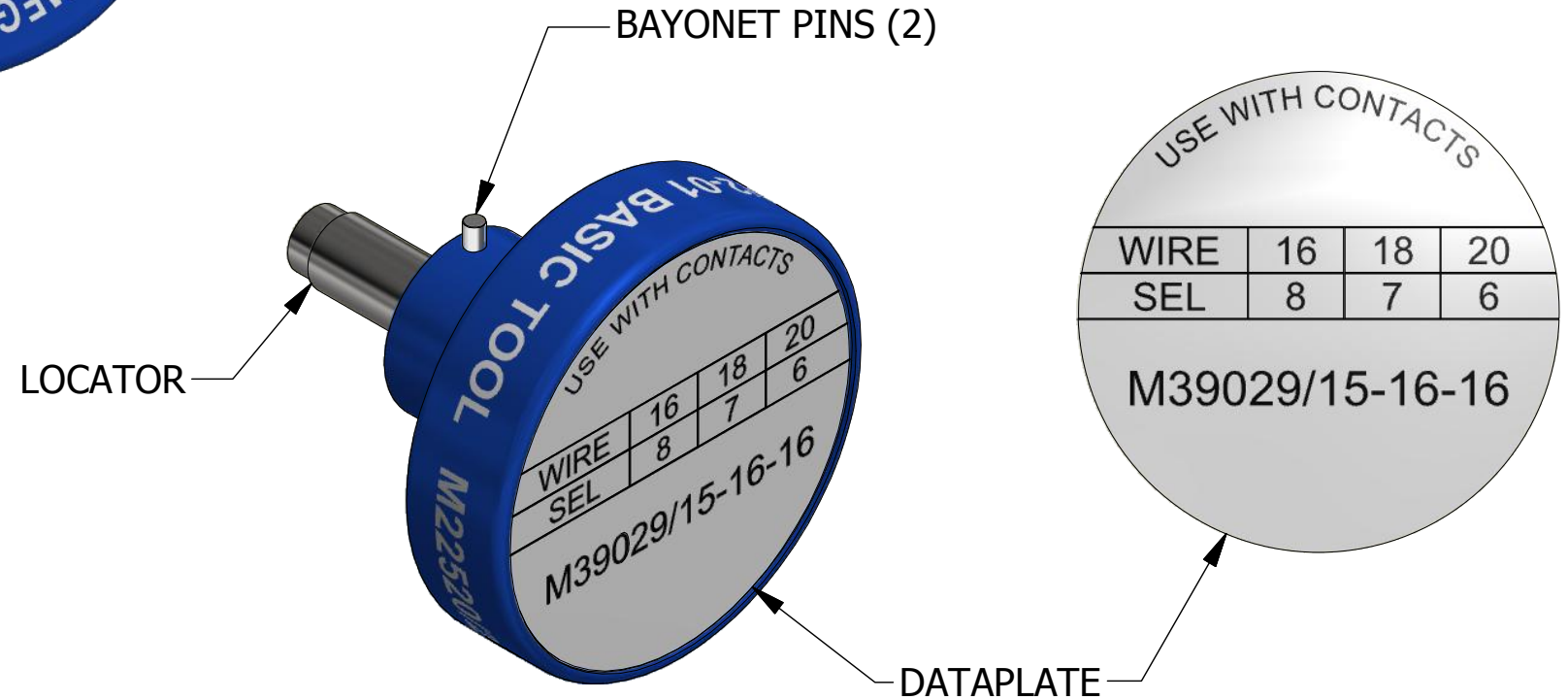
LOCATOR	
HOLE DIMENSIONS	ADDITIONAL FEATURES
Ø.0415 ▽.316	└┘Ø.077 ▽.218

MATERIAL	ITEM	PART NO.	QTY.	DESCRIPTION / REMARKS
N/A	DRN. A. MOO-YOUNG CHK'D.	DATE 7/1/1997 DATE		DMC DANIELS MANUFACTURING CORP. ORLANDO, FLORIDA CAGE 11851
RESTRICTED & CONFIDENTIAL CONFIDENTIAL PROPERTY OF DANIELS MANUFACTURING CORP. NOT TO BE DISCLOSED TO OTHERS. REPRODUCTION OR USED FOR ANY OTHER PURPOSE EXCEPT AS AUTHORIZED IN WRITING BY DANIELS MANUFACTURING. MUST BE RETURNED TO DANIELS MANUFACTURING CORP. ON COMPLETION OF ORDER OR PURPOSES FOR WHICH LENT.	HEAT TREAT	N/A		NOTE: THIS DRAWING IS AN OUTLINE DRAWING OF THE RESPECTIVE DMC PART NUMBER INDICATED. ACTUAL DMC PART NUMBER IS CAD PART NUMBER WITHOUT THE "-ENV" SUFFIX
CREATED FROM AN INVENTOR MODEL. CHANGES MUST BE REFLECTED IN THE 3D PART	FINISH	N/A		TITLE POSITIONER M22520/2-20 ENVELOPE DRAWING WHERE USED: AFM8
DO NOT SCALE DRAWING				SIZE B
				SCALE 3 : 1
				CAD P/N K331-2-ENV
				SHEET 1 OF 1
				DWG. NO. K331-2
				REV. 2

REVISIONS						
REV	ECO NO.	DESCRIPTION	BY	DATE	APP'D BY	DATE
1		ORIGINAL RELEASE	AAM	12/17/1999	RRR	12/17/1999
2	23573	UPDATED & REDRAWN	TonyD	6/20/2015		



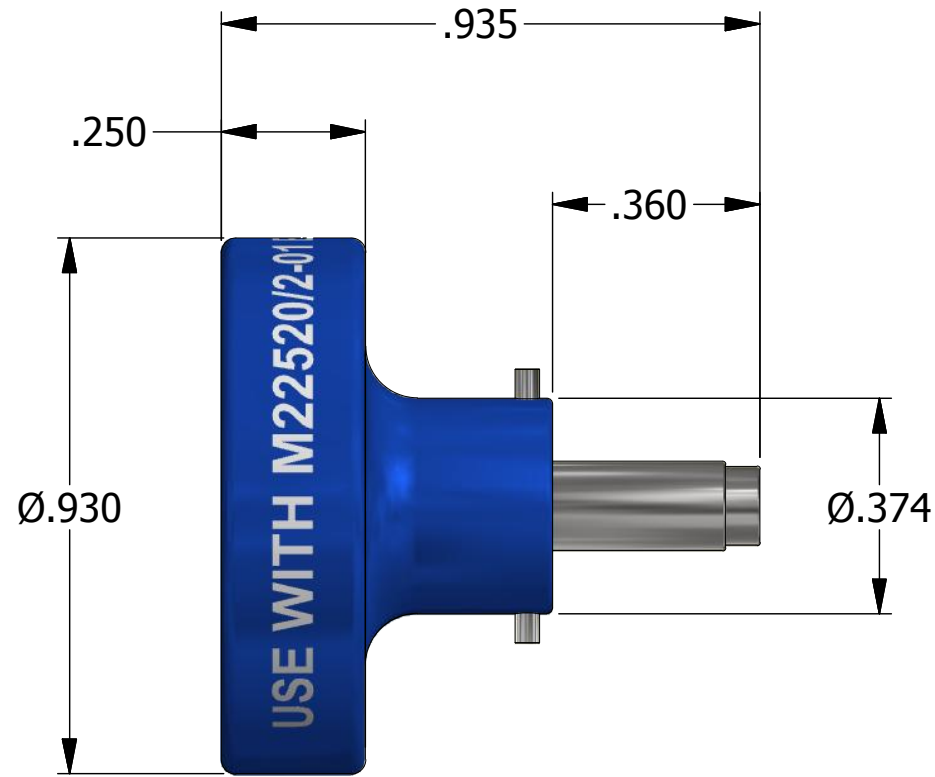
**UNCONTROLLED DOCUMENT
WILL NOT BE UPDATED**
DIMENSIONS IN INCHES - UNLESS OTHERWISE SPECIFIED



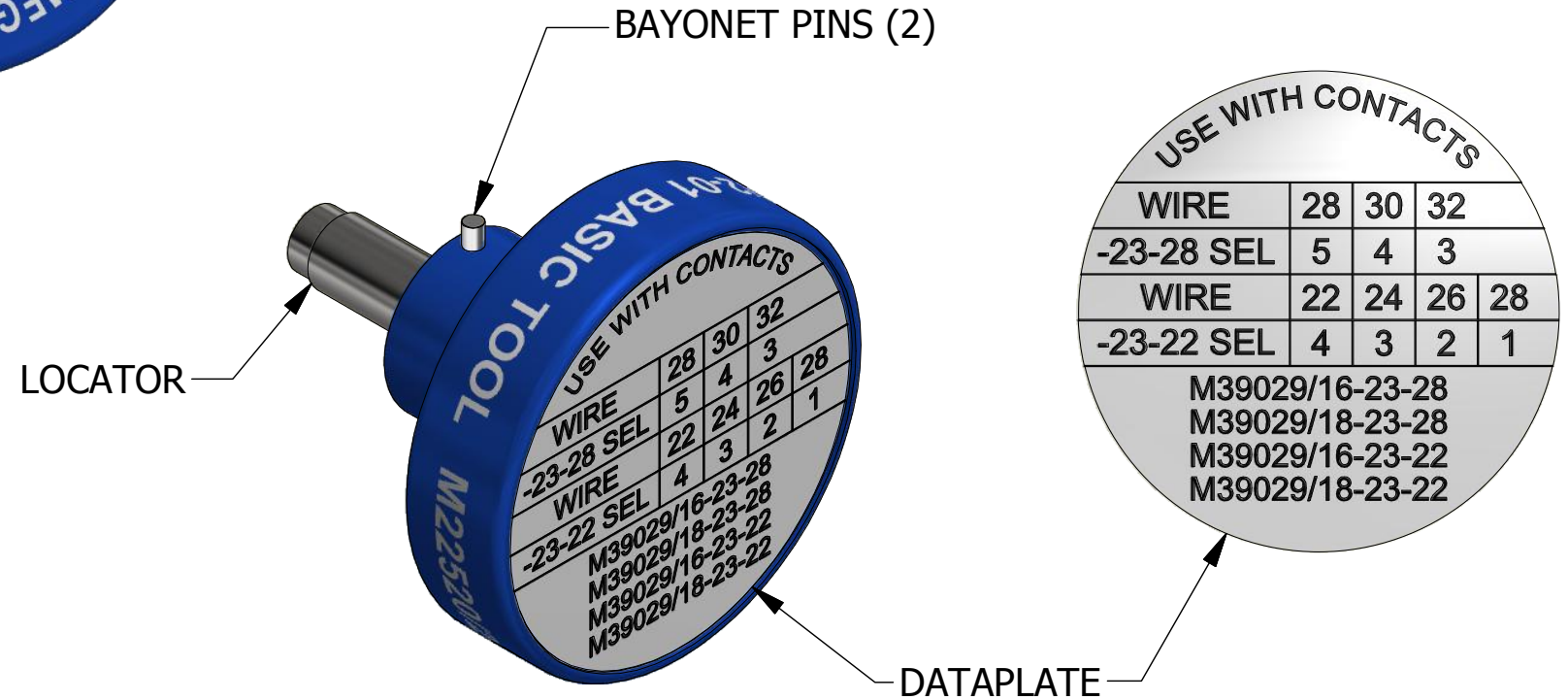
LOCATOR	
HOLE DIMENSIONS	ADDITIONAL FEATURES
Ø.0635 ▽.316	└┘Ø.109 ▽.218

MATERIAL	ITEM	PART NO.	QTY.	DESCRIPTION / REMARKS
N/A	DRN. A. MOO-YOUNG CHK'D.	DATE 7/1/1997 DATE		DMC DANIELS MANUFACTURING CORP. ORLANDO, FLORIDA CAGE 11851
RESTRICTED & CONFIDENTIAL CONFIDENTIAL PROPERTY OF DANIELS MANUFACTURING CORP. NOT TO BE DISCLOSED TO OTHERS. REPRODUCTION OR USED FOR ANY OTHER PURPOSE EXCEPT AS AUTHORIZED IN WRITING BY DANIELS MANUFACTURING. MUST BE RETURNED TO DANIELS MANUFACTURING CORP. ON COMPLETION OF ORDER OR PURPOSES FOR WHICH LENT.	HEAT TREAT	N/A		NOTE: THIS DRAWING IS AN OUTLINE DRAWING OF THE RESPECTIVE DMC PART NUMBER INDICATED. ACTUAL DMC PART NUMBER IS CAD PART NUMBER WITHOUT THE "-ENV" SUFFIX
CREATED FROM AN INVENTOR MODEL. CHANGES MUST BE REFLECTED IN THE 3D PART	FINISH	N/A		TITLE POSITIONER M22520/2-21 ENVELOPE DRAWING WHERE USED: AFM8
DO NOT SCALE DRAWING				SIZE B SCALE 3:1 CAD P/N K332-2-ENV SHEET 1 OF 1 DWG. NO. K332-2 REV. 2

REVISIONS						
REV	ECO NO.	DESCRIPTION	BY	DATE	APP'D BY	DATE
1		ORIGINAL RELEASE	AAM	12/11/1997	RRR	12/11/1997
2	23573	UPDATED & REDRAWN	TonyD	6/3/2015		

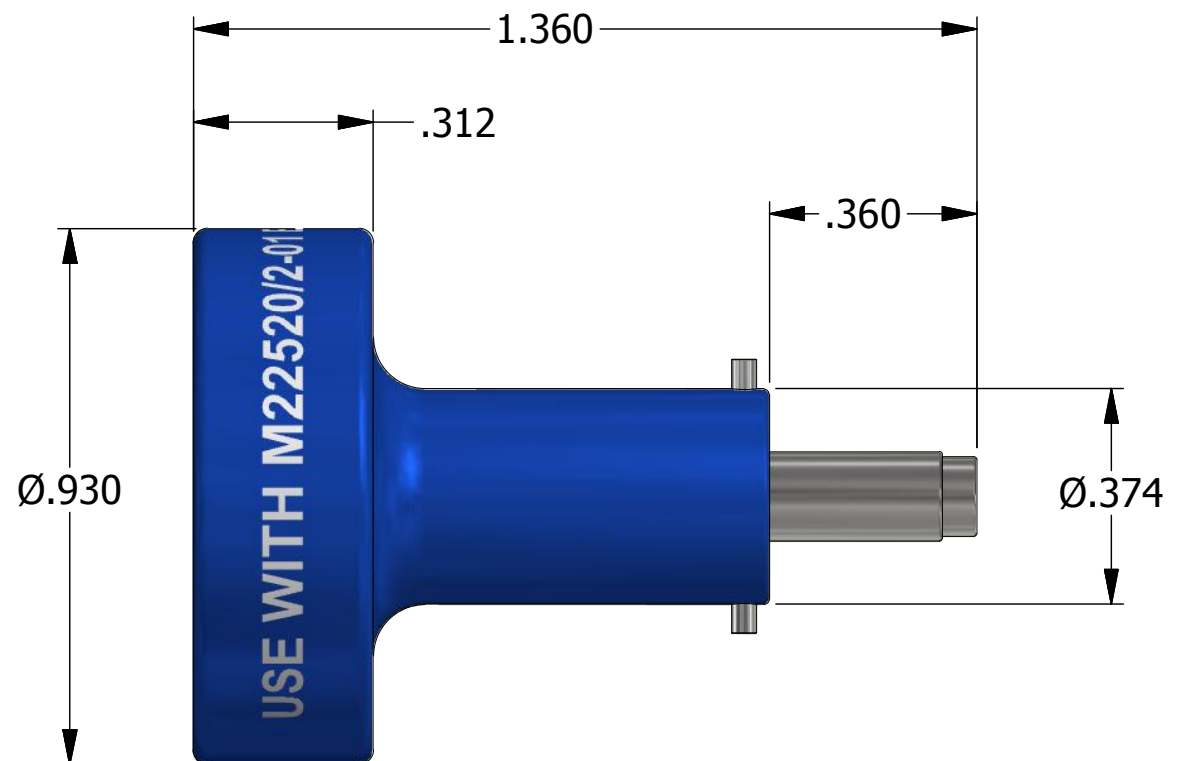


**UNCONTROLLED DOCUMENT
WILL NOT BE UPDATED**
DIMENSIONS IN INCHES - UNLESS OTHERWISE SPECIFIED



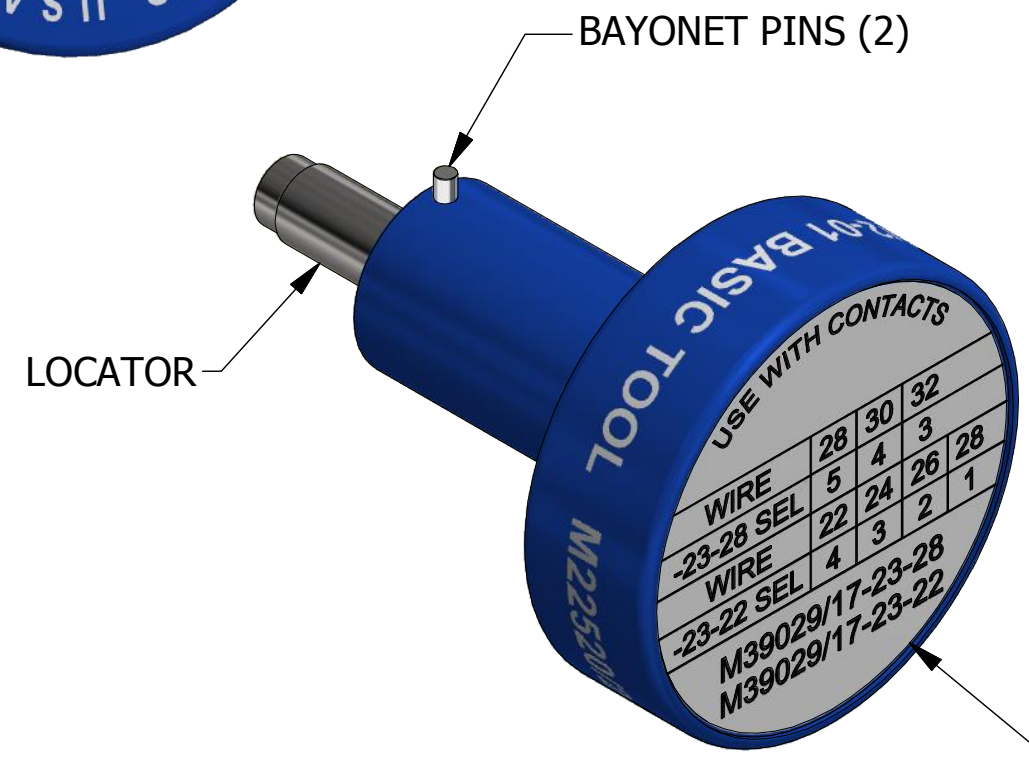
LOCATOR	
HOLE DIMENSIONS	ADDITIONAL FEATURES
Ø.031 ▽.510	└┘Ø.057 ▽.480

MATERIAL	ITEM	PART NO.	QTY.	DESCRIPTION / REMARKS
N/A	DRN. A. MOO-YOUNG CHK'D.	DATE 12/11/1997 DATE		DMC DANIELS MANUFACTURING CORP. ORLANDO, FLORIDA CAGE 11851
RESTRICTED & CONFIDENTIAL CONFIDENTIAL PROPERTY OF DANIELS MANUFACTURING CORP. NOT TO BE DISCLOSED TO OTHERS. REPRODUCTION OR USED FOR ANY OTHER PURPOSE EXCEPT AS AUTHORIZED IN WRITING BY DANIELS MANUFACTURING. MUST BE RETURNED TO DANIELS MANUFACTURING CORP. ON COMPLETION OF ORDER OR PURPOSES FOR WHICH LENT.	HEAT TREAT	N/A		NOTE: THIS DRAWING IS AN OUTLINE DRAWING OF THE RESPECTIVE DMC PART NUMBER INDICATED. ACTUAL DMC PART NUMBER IS CAD PART NUMBER WITHOUT THE "-ENV" SUFFIX
CREATED FROM AN INVENTOR MODEL. CHANGES MUST BE REFLECTED IN THE 3D PART	FINISH	N/A		TITLE POSITIONER (M22520/2-13) ENVELOPE DRAWING WHERE USED: AFM8
DO NOT SCALE DRAWING				SIZE B
				SCALE 3 : 1
				CAD P/N K338-ENV
				SHEET 1 OF 1
				DWG. NO. K338
				REV. 2



**UNCONTROLLED DOCUMENT
WILL NOT BE UPDATED**
DIMENSIONS IN INCHES - UNLESS OTHERWISE SPECIFIED

REVISIONS					
REV	ECO NO.	DESCRIPTION	BY	DATE	APP'D BY
2		CORRECTED DIMS	ENF	7/30/2012	RRR
3	23573	UPDATED & REDRAWN	TonyD	6/9/2015	



USE WITH CONTACTS

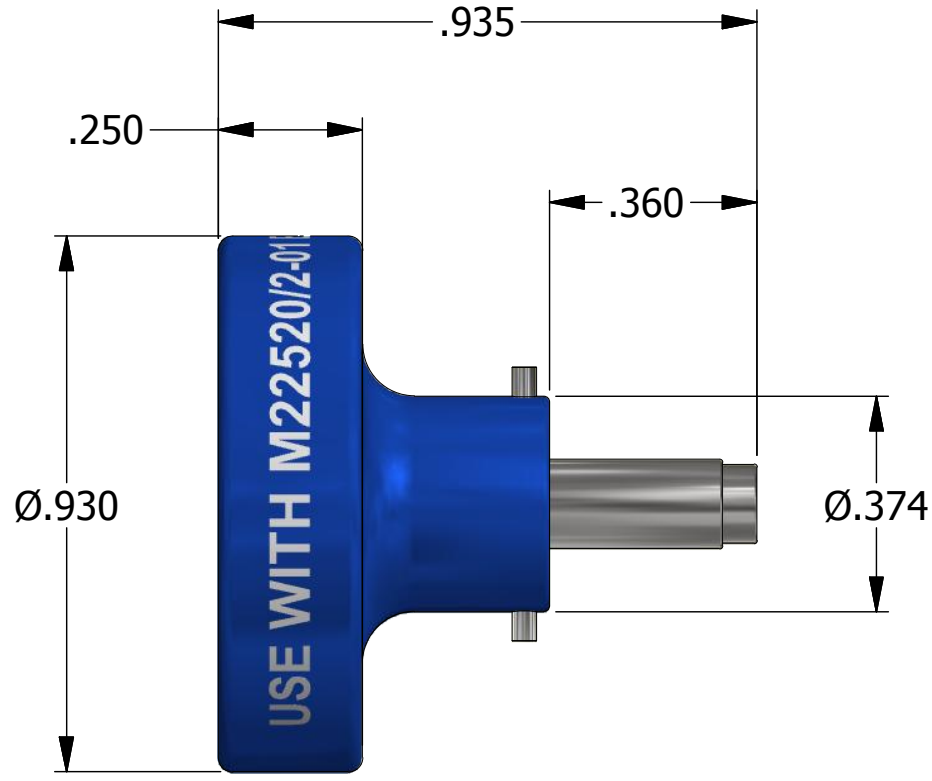
WIRE	28	30	32	
-23-28 SEL	5	4	3	
WIRE	22	24	26	28
-23-22 SEL	4	3	2	1

M39029/17-23-28
M39029/17-23-22

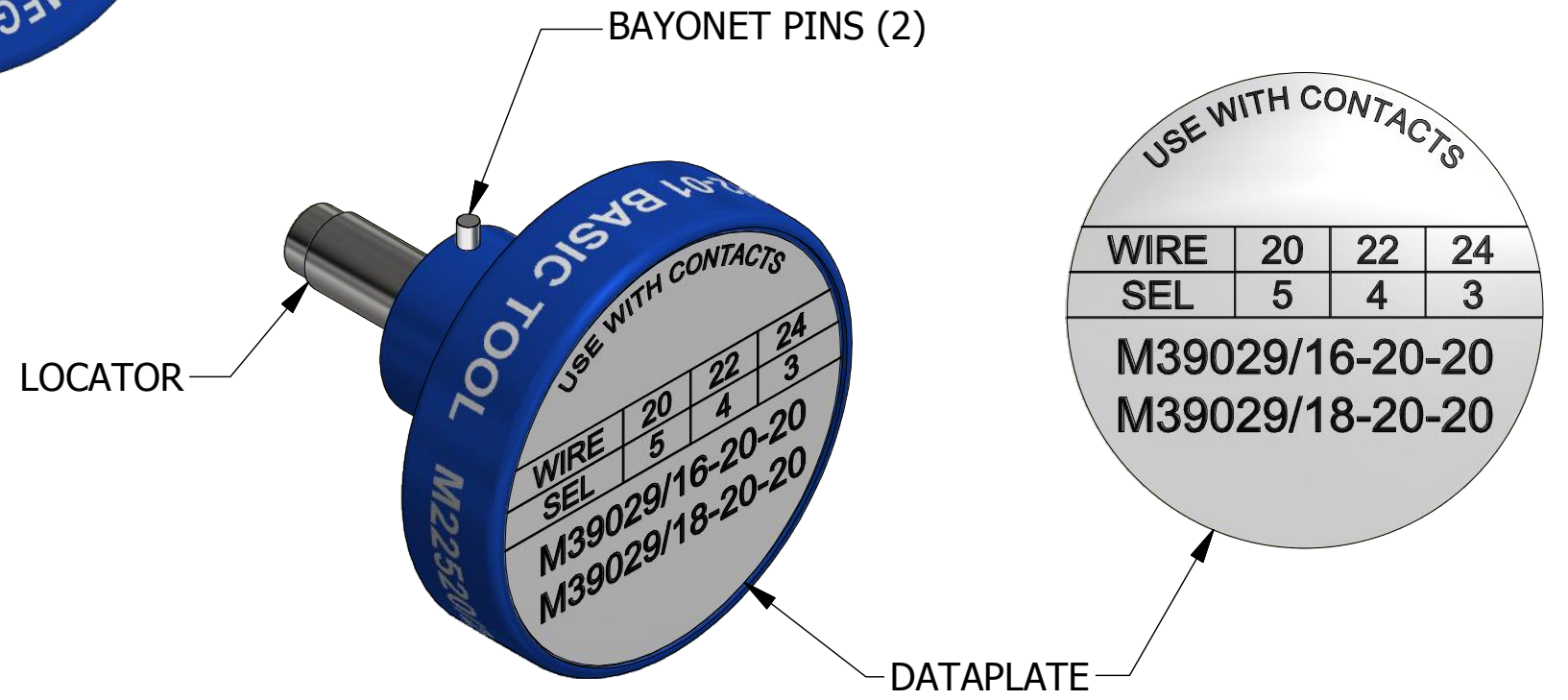
LOCATOR	
HOLE DIMENSIONS	ADDITIONAL FEATURES
Ø.057 ▽.810	

MATERIAL	ITEM	PART NO.	QTY.	DESCRIPTION / REMARKS
N/A	DRN. JMC CHK'D.	DATE 7/23/2003 DATE		DMC DANIELS MANUFACTURING CORP. ORLANDO, FLORIDA CAGE 11851
RESTRICTED & CONFIDENTIAL CONFIDENTIAL PROPERTY OF DANIELS MANUFACTURING CORP. NOT TO BE DISCLOSED TO OTHERS. REPRODUCTION OR USED FOR ANY OTHER PURPOSE EXCEPT AS AUTHORIZED IN WRITING BY DANIELS MANUFACTURING. MUST BE RETURNED TO DANIELS MANUFACTURING CORP. ON COMPLETION OF ORDER OR PURPOSES FOR WHICH LENT.	HEAT TREAT	N/A		NOTE: THIS DRAWING IS AN OUTLINE DRAWING OF THE RESPECTIVE DMC PART NUMBER INDICATED. ACTUAL DMC PART NUMBER IS CAD PART NUMBER WITHOUT THE "-ENV" SUFFIX
CREATED FROM AN INVENTOR MODEL. CHANGES MUST BE REFLECTED IN THE 3D PART	FINISH	N/A		TITLE POSITIONER (M22520/2-16) ENVELOPE DRAWING WHERE USED: AFM8
DO NOT SCALE DRAWING				SIZE B SCALE 3:1 CAD P/N K339-ENV SHEET 1 OF 1 DWG. NO. K339 REV. 3

REVISIONS						
REV	ECO NO.	DESCRIPTION	BY	DATE	APP'D BY	DATE
2		REDRAWN	AAM	3/21/2001	RRR	3/21/2001
3	23573	UPDATED & REDRAWN	TonyD	6/3/2015		



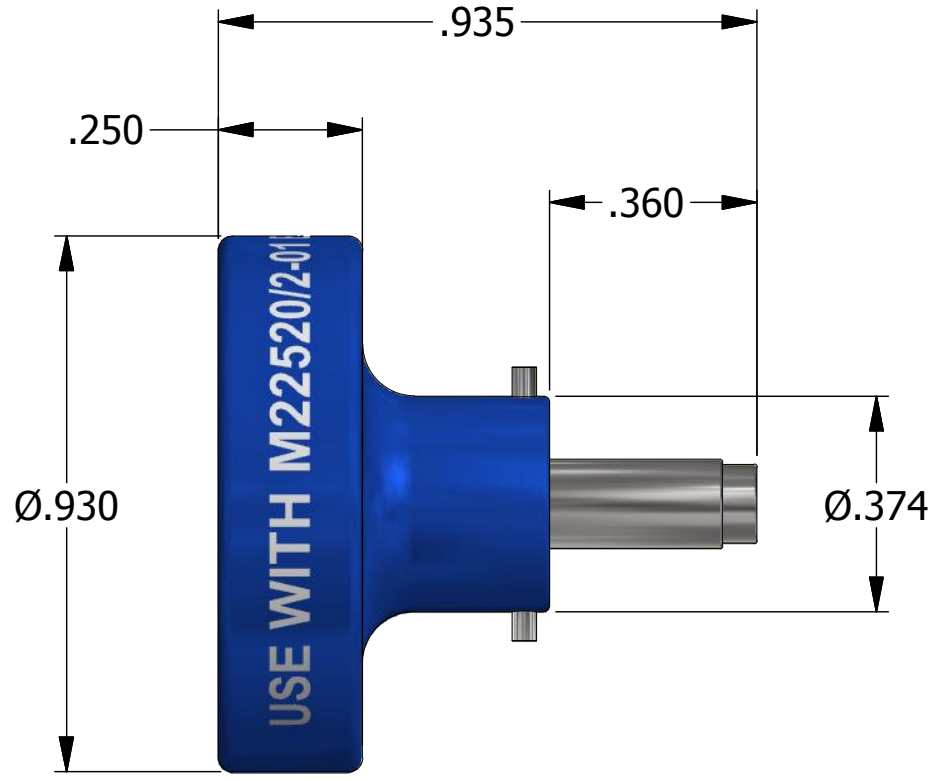
**UNCONTROLLED DOCUMENT
WILL NOT BE UPDATED**
DIMENSIONS IN INCHES - UNLESS OTHERWISE SPECIFIED



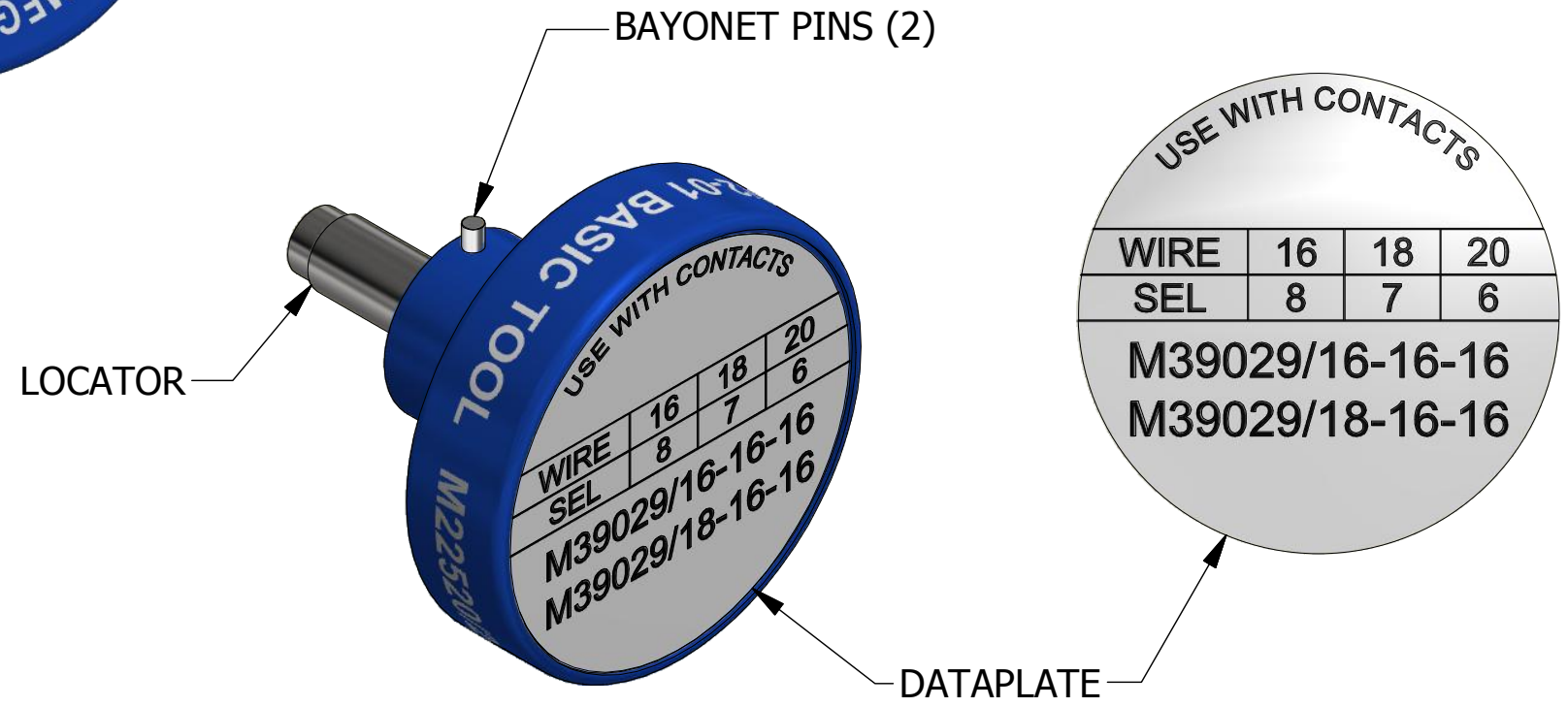
LOCATOR	
HOLE DIMENSIONS	ADDITIONAL FEATURES
Ø.044 ▽.510	└┘Ø.077 ▽.480

MATERIAL	ITEM	PART NO.	QTY.	DESCRIPTION / REMARKS
N/A	DRN. KMS CHK'D.	DATE 4/6/1987 DATE		DMC DANIELS MANUFACTURING CORP. ORLANDO, FLORIDA CAGE 11851
RESTRICTED & CONFIDENTIAL CONFIDENTIAL PROPERTY OF DANIELS MANUFACTURING CORP. NOT TO BE DISCLOSED TO OTHERS. REPRODUCTION OR USED FOR ANY OTHER PURPOSE EXCEPT AS AUTHORIZED IN WRITING BY DANIELS MANUFACTURING. MUST BE RETURNED TO DANIELS MANUFACTURING CORP. ON COMPLETION OF ORDER OR PURPOSES FOR WHICH LENT.	HEAT TREAT	N/A		NOTE: THIS DRAWING IS AN OUTLINE DRAWING OF THE RESPECTIVE DMC PART NUMBER INDICATED. ACTUAL DMC PART NUMBER IS CAD PART NUMBER WITHOUT THE "-ENV" SUFFIX
CREATED FROM AN INVENTOR MODEL. CHANGES MUST BE REFLECTED IN THE 3D PART	FINISH	N/A		TITLE POSITIONER (M22520/2-14) ENVELOPE DRAWING WHERE USED: AFM8
DO NOT SCALE DRAWING				SIZE B SCALE 3:1 CAD P/N K340-ENV SHEET 1 OF 1 DWG. NO. K340 REV. 3

REVISIONS						
REV	ECO NO.	DESCRIPTION	BY	DATE	APP'D BY	DATE
1		ORIGINAL RELEASE	AAM	1/16/2003	RRR	1/16/2003
2	23573	UPDATED & REDRAWN	TonyD	6/4/2015		

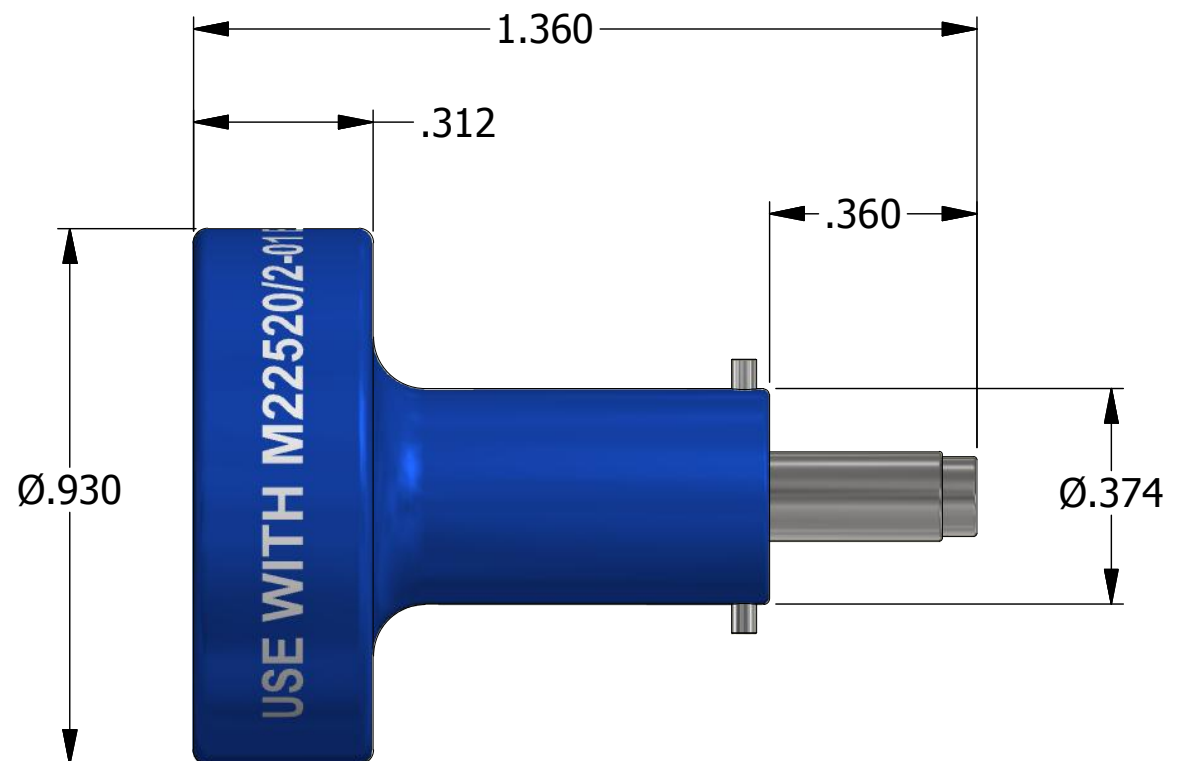


**UNCONTROLLED DOCUMENT
WILL NOT BE UPDATED**
DIMENSIONS IN INCHES - UNLESS OTHERWISE SPECIFIED



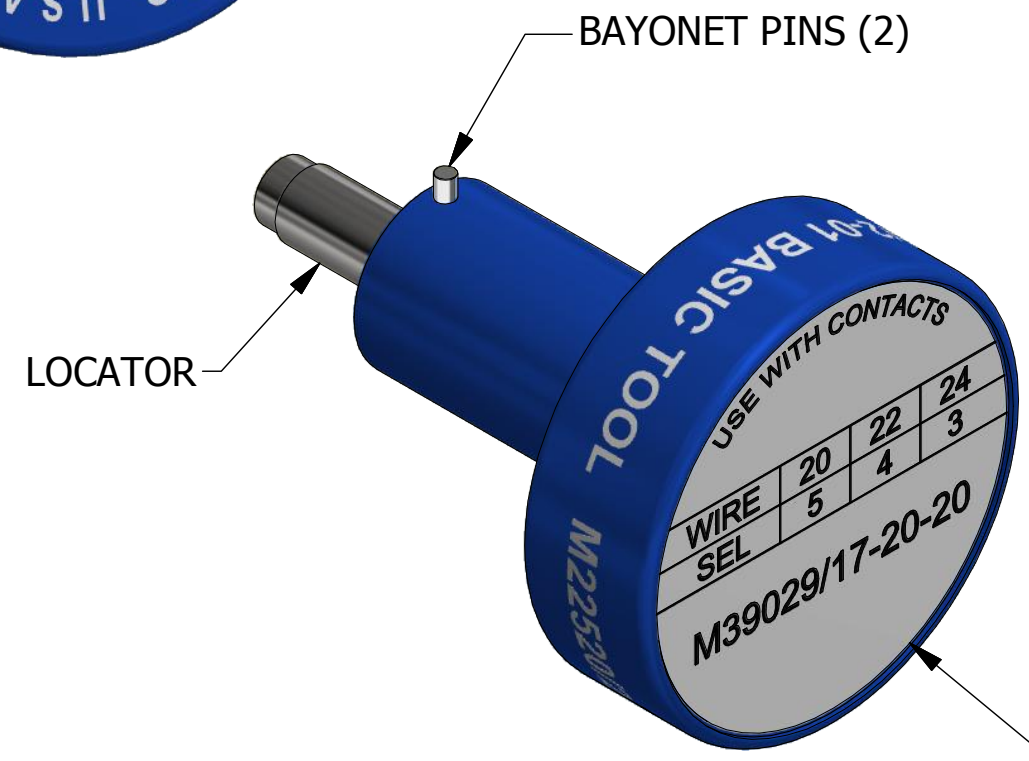
LOCATOR	
HOLE DIMENSIONS	ADDITIONAL FEATURES
Ø.066 ▽.510	└┘Ø.109 ▽.480

MATERIAL	ITEM	PART NO.	QTY.	DESCRIPTION / REMARKS
N/A	DRN. A. MOO-YOUNG CHK'D. DATE	DATE 6/20/1997		DMC DANIELS MANUFACTURING CORP. ORLANDO, FLORIDA CAGE 11851
RESTRICTED & CONFIDENTIAL CONFIDENTIAL PROPERTY OF DANIELS MANUFACTURING CORP. NOT TO BE DISCLOSED TO OTHERS. REPRODUCTION OR USED FOR ANY OTHER PURPOSE EXCEPT AS AUTHORIZED IN WRITING BY DANIELS MANUFACTURING. MUST BE RETURNED TO DANIELS MANUFACTURING CORP. ON COMPLETION OF ORDER OR PURPOSES FOR WHICH LENT.	HEAT TREAT	N/A		NOTE: THIS DRAWING IS AN OUTLINE DRAWING OF THE RESPECTIVE DMC PART NUMBER INDICATED. ACTUAL DMC PART NUMBER IS CAD PART NUMBER WITHOUT THE "-ENV" SUFFIX
CREATED FROM AN INVENTOR MODEL. CHANGES MUST BE REFLECTED IN THE 3D PART	FINISH	N/A		TITLE POSITIONER (M22520/2-15) ENVELOPE DRAWING WHERE USED: AFM8
DO NOT SCALE DRAWING				SIZE B SCALE 3:1 CAD P/N K341-ENV SHEET 1 OF 1 DWG. NO. K341 REV. 2



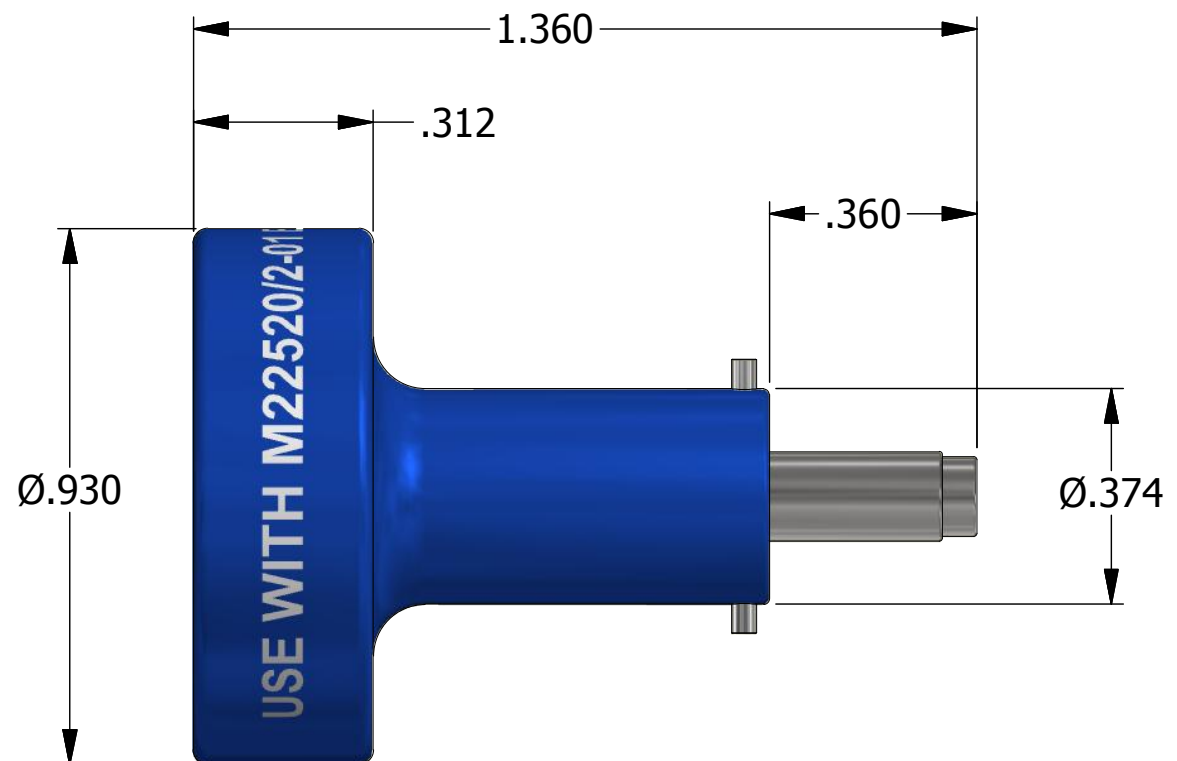
REVISIONS						
REV	ECO NO.	DESCRIPTION	BY	DATE	APP'D BY	DATE
1		ORIGINAL RELEASE	JS	3/21/1988	RRR	3/21/1988
2	23573	UPDATED & REDRAWN	TonyD	6/10/2015		

**UNCONTROLLED DOCUMENT
WILL NOT BE UPDATED**
DIMENSIONS IN INCHES - UNLESS OTHERWISE SPECIFIED

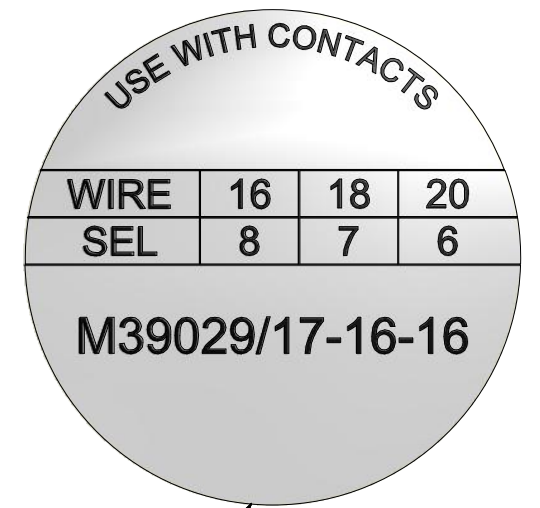
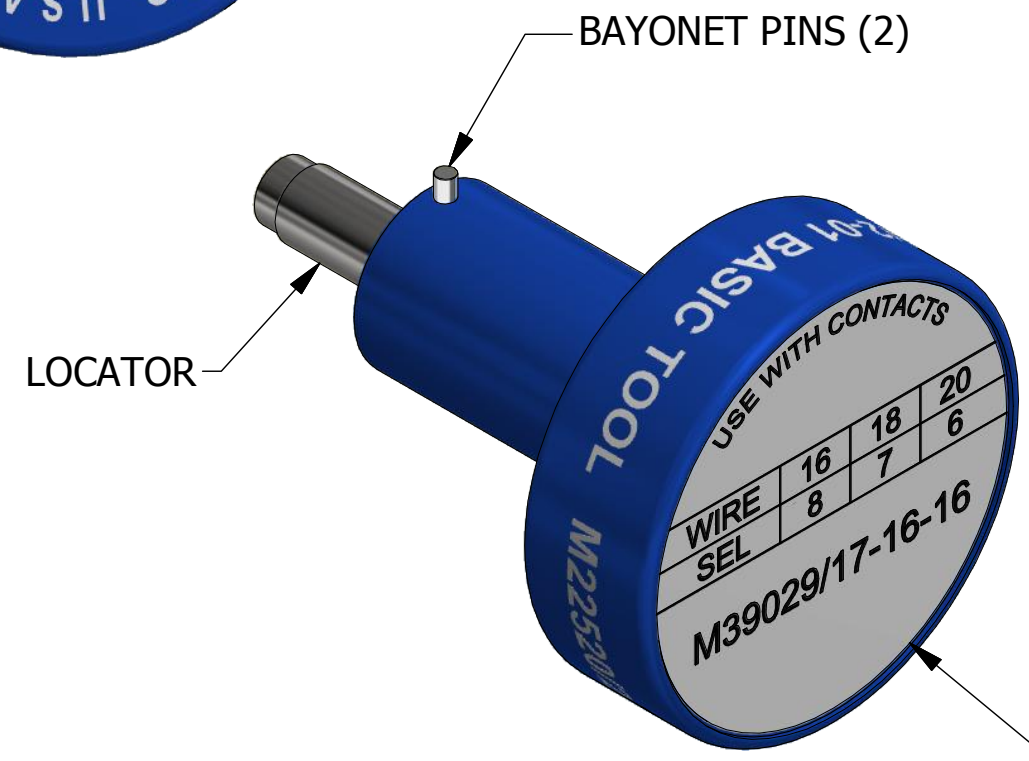


LOCATOR	
HOLE DIMENSIONS	ADDITIONAL FEATURES
Ø.077 ▽.810	

MATERIAL	ITEM	PART NO.	QTY.	DESCRIPTION / REMARKS
N/A	DRN. JS CHK'D.	DATE 3/21/1988 DATE		DMC DANIELS MANUFACTURING CORP. ORLANDO, FLORIDA CAGE 11851
RESTRICTED & CONFIDENTIAL CONFIDENTIAL PROPERTY OF DANIELS MANUFACTURING CORP. NOT TO BE DISCLOSED TO OTHERS. REPRODUCTION OR USED FOR ANY OTHER PURPOSE EXCEPT AS AUTHORIZED IN WRITING BY DANIELS MANUFACTURING. MUST BE RETURNED TO DANIELS MANUFACTURING CORP. ON COMPLETION OF ORDER OR PURPOSES FOR WHICH LENT.	HEAT TREAT	N/A		NOTE: THIS DRAWING IS AN OUTLINE DRAWING OF THE RESPECTIVE DMC PART NUMBER INDICATED. ACTUAL DMC PART NUMBER IS CAD PART NUMBER WITHOUT THE "-ENV" SUFFIX
CREATED FROM AN INVENTOR MODEL. CHANGES MUST BE REFLECTED IN THE 3D PART	FINISH	N/A		TITLE POSITIONER (M22520/2-17) ENVELOPE DRAWING WHERE USED: AFM8
DO NOT SCALE DRAWING				SIZE B SCALE 3:1 CAD P/N K342-ENV SHEET 1 OF 1 DWG. NO. K342 REV. 2



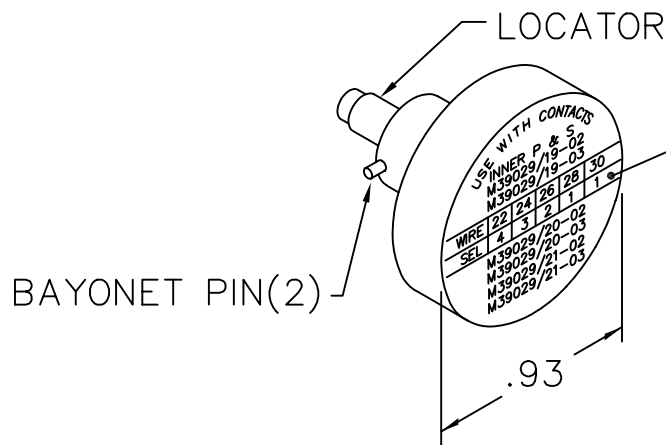
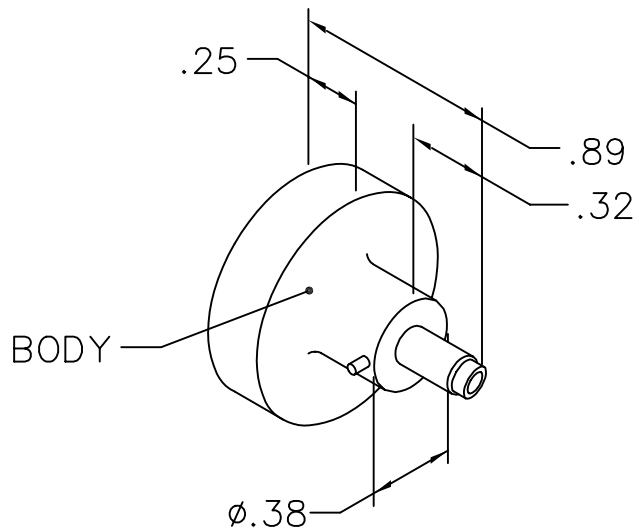
**UNCONTROLLED DOCUMENT
WILL NOT BE UPDATED**
DIMENSIONS IN INCHES - UNLESS OTHERWISE SPECIFIED



LOCATOR	
HOLE DIMENSIONS	ADDITIONAL FEATURES
Ø.109 ▽.810	

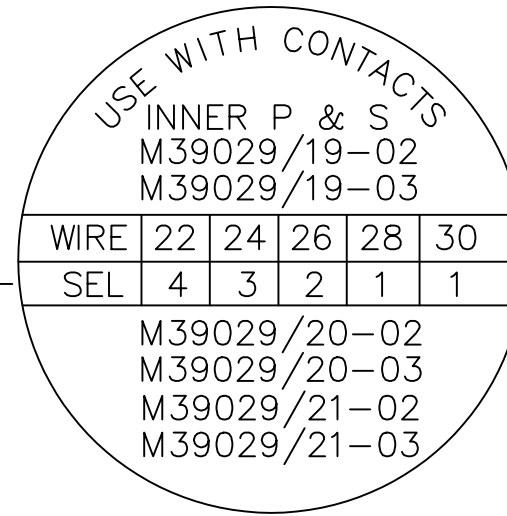
REVISIONS						
REV	ECO NO.	DESCRIPTION	BY	DATE	APP'D BY	DATE
1		ORIGINAL RELEASE	JWS	5/20/1986	DE	5/20/1986
2	23573	UPDATED & REDRAWN	TonyD	6/10/2015		

MATERIAL	ITEM	PART NO.	QTY.	DESCRIPTION / REMARKS
N/A	DRN. JWS CHK'D.	DATE 5/20/1986 DATE		DMC DANIELS MANUFACTURING CORP. ORLANDO, FLORIDA CAGE 11851
RESTRICTED & CONFIDENTIAL CONFIDENTIAL PROPERTY OF DANIELS MANUFACTURING CORP. NOT TO BE DISCLOSED TO OTHERS. REPRODUCTION OR USED FOR ANY OTHER PURPOSE EXCEPT AS AUTHORIZED IN WRITING BY DANIELS MANUFACTURING. MUST BE RETURNED TO DANIELS MANUFACTURING CORP. ON COMPLETION OF ORDER OR PURPOSES FOR WHICH LENT.	HEAT TREAT	N/A		NOTE: THIS DRAWING IS AN OUTLINE DRAWING OF THE RESPECTIVE DMC PART NUMBER INDICATED. ACTUAL DMC PART NUMBER IS CAD PART NUMBER WITHOUT THE "-ENV" SUFFIX
CREATED FROM AN INVENTOR MODEL. CHANGES MUST BE REFLECTED IN THE 3D PART	FINISH	N/A		TITLE POSITIONER (M22520/2-18) ENVELOPE DRAWING WHERE USED: AFM8
DO NOT SCALE DRAWING				SIZE B SCALE 3:1 CAD P/N K343-ENV SHEET 1 OF 1 DWG. NO. K343 REV. 2



REVISIONS				
REV. SYM.	E.C.O. NUMBER	DESCRIPTION	BY DATE	APP'D DATE
1		ORIGINAL RELEASE	AAM 3-29-01	RRR 3-29-01

**UNCONTROLLED DOCUMENT
WILL NOT BE UPDATED**



NOTE: FOR USE WITH DANIELS CRIMP TOOLS
ACCOMMODATING "K" SERIES POSITIONERS

LOCATOR	
HOLE DIMENSIONS	ADDITIONAL FEATURES
ϕ .094 ∇ .364	/

RESTRICTED & CONFIDENTIAL

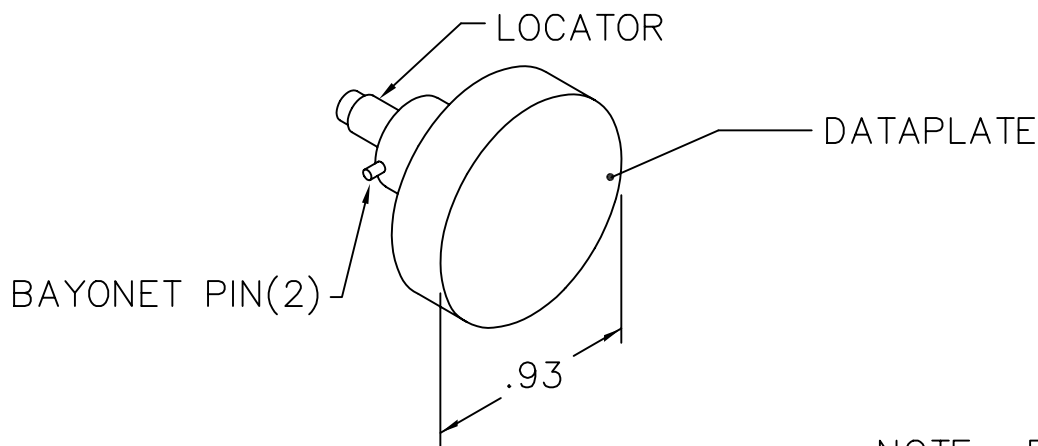
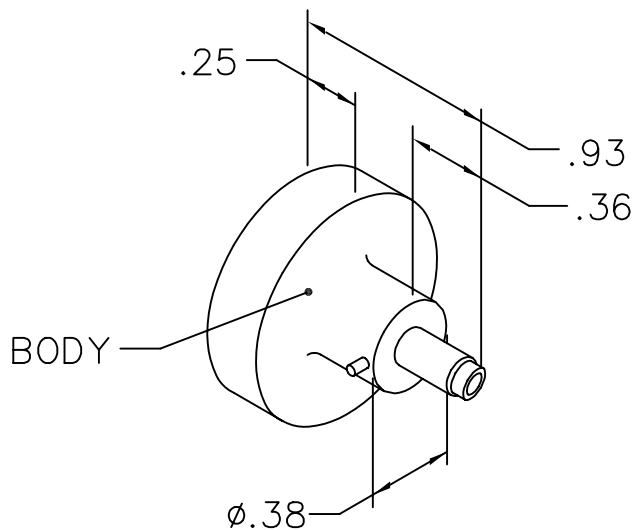
CONFIDENTIAL PROPERTY OF DANIELS MANUFACTURING CORP. NOT TO BE DISCLOSED TO OTHERS, REPRODUCED OR USED FOR ANY OTHER PURPOSE, EXCEPT AS AUTHORIZED IN WRITING BY DANIELS MANUFACTURING. MUST BE RETURNED TO DANIELS MANUFACTURING CORP. ON COMPLETION OF ORDER OR OTHER PURPOSE FOR WHICH LENT.

DO NOT SCALE DRAWING

DRN. A. MOO-YOUNG	DATE 3-29-01
CHK'D. RRR	DATE 3-29-01
APP'D.	DATE
APP'D.	DATE
NOTE: THIS DRAWING IS AN OUTLINE DRAWING OF THE RESPECTIVE DMC PART NUMBER INDICATED. ACTUAL DMC PART NUMBER IS DRAWING NUMBER WITHOUT THE "-ENV" SUFFIX.	

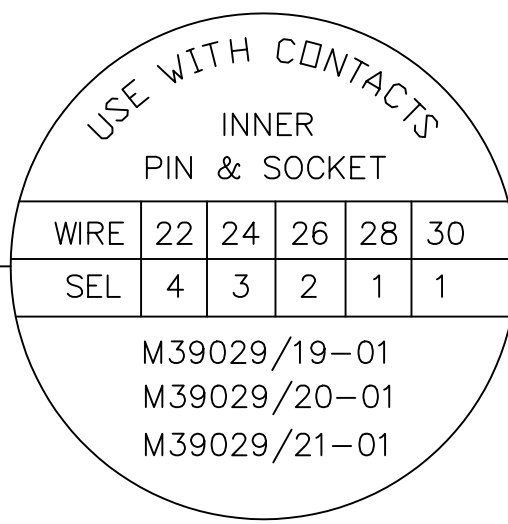
DANIELS MANUFACTURING CORP.
ORLANDO, FLORIDA
CAGE 11851

TITLE ENVELOPE DRAWING POSITIONER (M22520/2-29)			
WHERE USED: AFM8			
SIZE A	SCALE NTS	CAD P/N K372-1-ENV	SHEET OF 1 OF 1
POSTING	DWG. NO. K372-1-ENV		REV. 1



REVISIONS				
REV. SYM.	E.C.O. NUMBER	DESCRIPTION	BY DATE	APP'D DATE
1		ORIGINAL RELEASE	JMC 8-5-03	JWJ 8-5-03

**UNCONTROLLED DOCUMENT
WILL NOT BE UPDATED**



NOTE: FOR USE WITH DANIELS CRIMP TOOLS
ACCOMMODATING "K" SERIES POSITIONERS

LOCATOR	
HOLE DIMENSIONS	ADDITIONAL FEATURES
ϕ .031 ∇ .375	\sqsubset ϕ .052 ∇ .024

RESTRICTED & CONFIDENTIAL

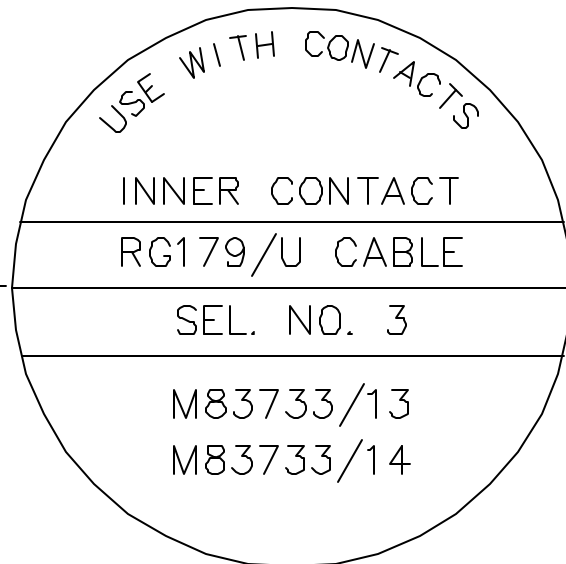
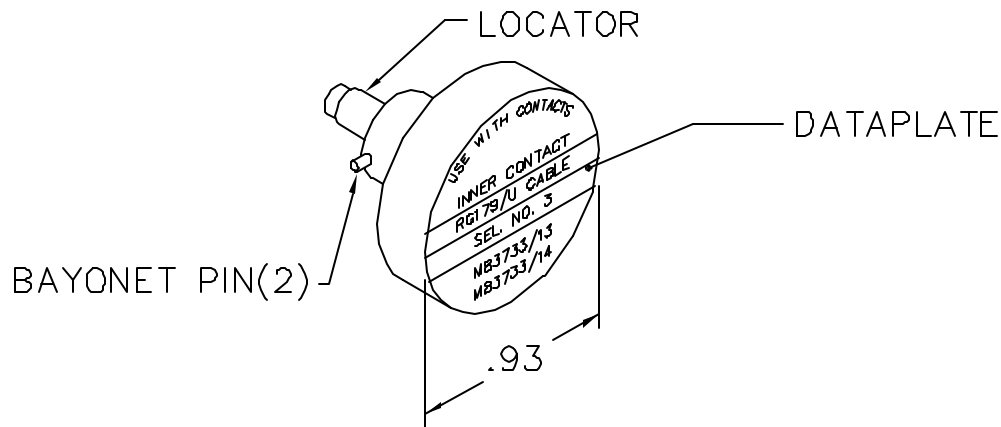
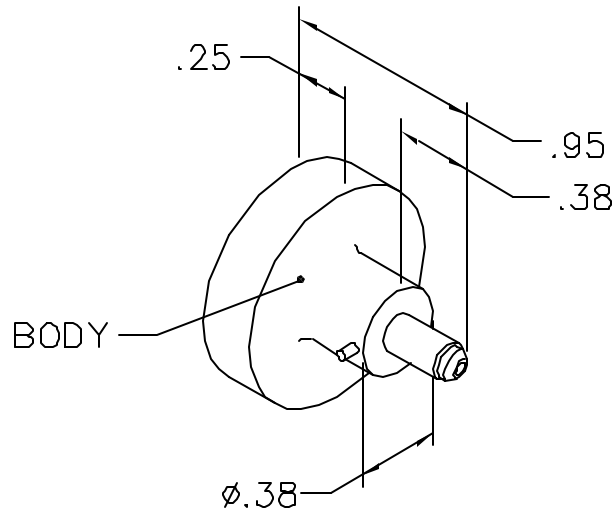
CONFIDENTIAL PROPERTY OF DANIELS MANUFACTURING CORP. NOT TO BE DISCLOSED TO OTHERS, REPRODUCED OR USED FOR ANY OTHER PURPOSE, EXCEPT AS AUTHORIZED IN WRITING BY DANIELS MANUFACTURING. MUST BE RETURNED TO DANIELS MANUFACTURING CORP. ON COMPLETION OF ORDER OR OTHER PURPOSE FOR WHICH LENT.

DO NOT SCALE DRAWING

DRN.	JMC	DATE	8-5-03	
CHK'D.	JWJ	DATE	8-5-03	
APP'D.		DATE		
APP'D.		DATE		
DANIELS MANUFACTURING CORP. ORLANDO, FLORIDA CAGE 11851				
POSITIONER ENVELOPE DRAWING				
WHERE USED: AFM8				
SIZE	SCALE	CAD P/N	SHEET	OF
A	NTS	K373-1-ENV	1	1
POSTING	DWG. NO.		REV.	
	K373-1-ENV		1	

REVISIONS				
REV. SYM.	E.C.O. NUMBER	DESCRIPTION	BY DATE	APP'D DATE
2		REDRAWN	AAM 1-4-00	RRR 1-4-00

**UNCONTROLLED DOCUMENT
WILL NOT BE UPDATED**



NOTE: FOR USE WITH DANIELS CRIMP TOOLS
ACCOMMODATING "K" SERIES POSITIONERS

LOCATOR	
HOLE DIMENSIONS	ADDITIONAL FEATURES
$\phi.035$ $\nabla .580$ MIN.	/

RESTRICTED & CONFIDENTIAL

CONFIDENTIAL PROPERTY OF DANIELS MANUFACTURING CORP. NOT TO BE DISCLOSED TO OTHERS, REPRODUCED OR USED FOR ANY OTHER PURPOSE, EXCEPT AS AUTHORIZED IN WRITING BY DANIELS MANUFACTURING. MUST BE RETURNED TO DANIELS MANUFACTURING CORP. ON COMPLETION OF ORDER OR OTHER PURPOSE FOR WHICH LENT.

DO NOT SCALE DRAWING

DRN.	JS	DATE	4-16-91
CHK'D.	PD	DATE	4-16-91
APP'D.		DATE	
APP'D.		DATE	

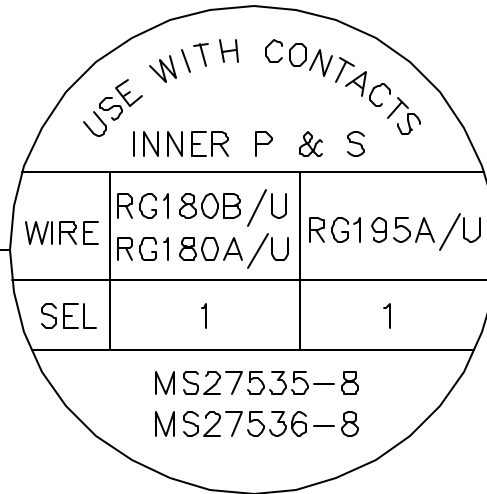
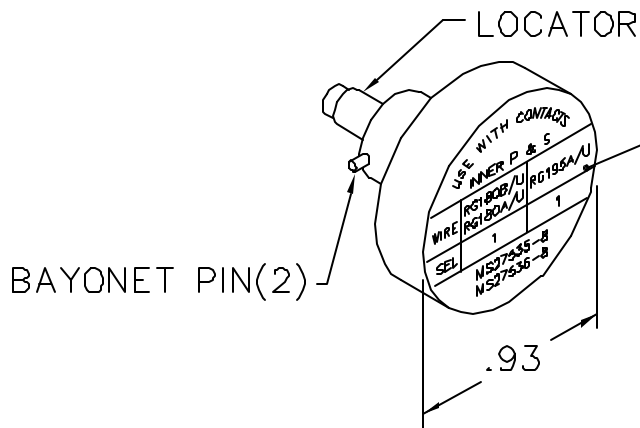
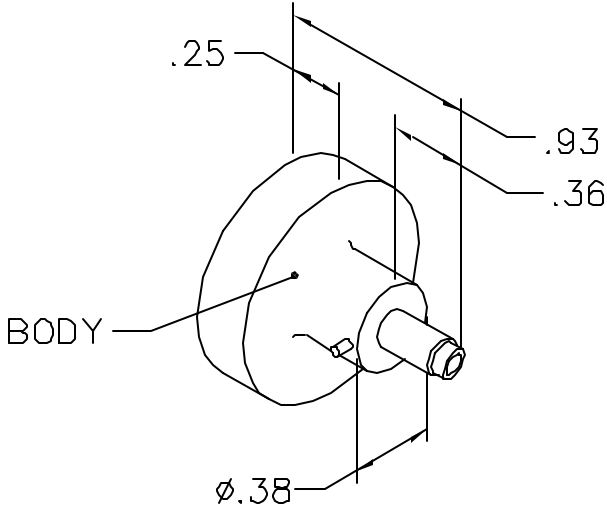


DANIELS MANUFACTURING CORP.
ORLANDO, FLORIDA
CAGE 11851

TITLE			
ENVELOPE DRAWING POSITIONER, M22520/2-30			
WHERE USED: AFM8			
SIZE	SCALE	CAD P/N	SHEET OF
A	NTS	K404-ENV	1 1
POSTING	P/N		REV.
	K404-ENV		2

REVISIONS				
REV. SYM.	E.C.O. NUMBER	DESCRIPTION	BY DATE	APP'D DATE
1		ORIGINAL RELEASE	DC 5-12-95	DD 5-12-95

**UNCONTROLLED DOCUMENT
WILL NOT BE UPDATED**



NOTE: FOR USE WITH DANIELS CRIMP TOOLS
ACCOMMODATING "K" SERIES POSITIONERS

LOCATOR	
HOLE DIMENSIONS	ADDITIONAL FEATURES
Ø.055 ▽.430	└┘ Ø.078 ▽.024

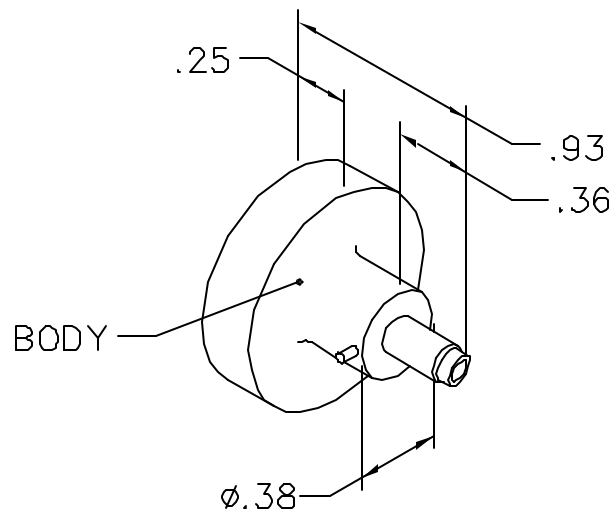
RESTRICTED & CONFIDENTIAL

CONFIDENTIAL PROPERTY OF DANIELS MANUFACTURING CORP. NOT TO BE DISCLOSED TO OTHERS, REPRODUCED OR USED FOR ANY OTHER PURPOSE, EXCEPT AS AUTHORIZED IN WRITING BY DANIELS MANUFACTURING.
MUST BE RETURNED TO DANIELS MANUFACTURING CORP. ON COMPLETION OF ORDER OR OTHER PURPOSE FOR WHICH LENT.

DO NOT SCALE DRAWING

DRN.	DC	DATE	5-12-95
CHK'D.	DD	DATE	5-12-95
APP'D.		DATE	
APP'D.		DATE	
NOTE: THIS DRAWING IS AN OUTLINE DRAWING OF THE RESPECTIVE DMC PART NUMBER INDICATED. ACTUAL DMC PART NUMBER IS DRAWING NUMBER WITHOUT THE "-ENV" SUFFIX.			

DMC		DANIELS MANUFACTURING CORP. ORLANDO, FLORIDA CAGE 11851	
TITLE ENVELOPE DRAWING POSITIONER M22520/2-31			
WHERE USED: AFM8			
SIZE	SCALE	CAD P/N	SHEET OF
A	NTS	K406-ENV	1 1
POSTING	DWG. NO.		REV.
	K406-ENV		1



BODY

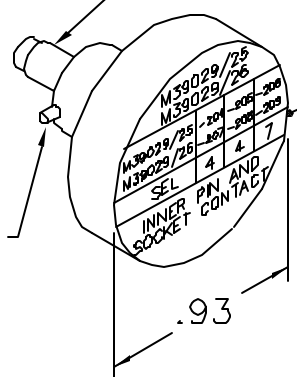
∅.38

.25

.93

.36

LOCATOR



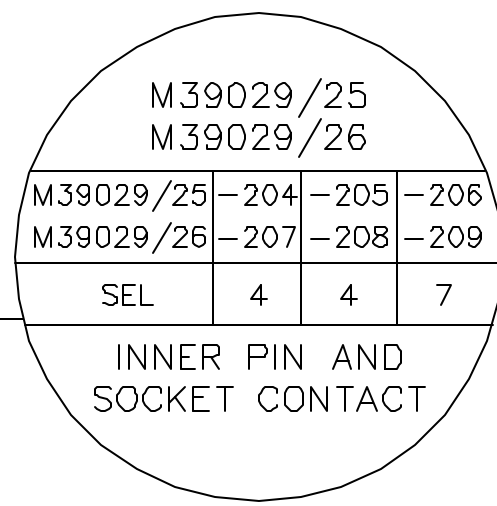
BAYONET PIN (2)

.93

DATAPLATE

REVISIONS				
REV. SYM.	E.C.O. NUMBER	DESCRIPTION	BY DATE	APP'D DATE
1		ORIGINAL RELEASE	DH 10/7/88	JS 10/88

**UNCONTROLLED DOCUMENT
WILL NOT BE UPDATED**



NOTE: FOR USE WITH DANIELS GRIMP TOOLS
ACCOMODATING "K" SERIES POSITIONERS.

LOCATOR	
HOLE DIMENSIONS	ADDITIONAL FEATURES
∅.052 ∇ .439	┌ ∅.073 ∇ .141

RESTRICTED & CONFIDENTIAL

CONFIDENTIAL PROPERTY OF DANIELS MANUFACTURING CORP. NOT TO BE DISCLOSED TO OTHERS, REPRODUCED OR USED FOR ANY OTHER PURPOSE, EXCEPT AS AUTHORIZED IN WRITING BY DANIELS MANUFACTURING. MUST BE RETURNED TO DANIELS MANUFACTURING CORP. ON COMPLETION OF ORDER OR OTHER PURPOSE FOR WHICH LENT.

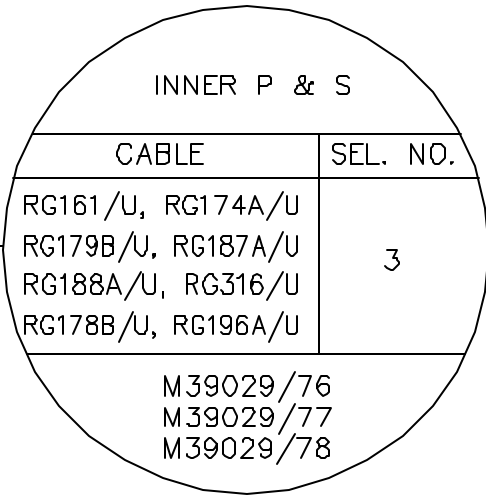
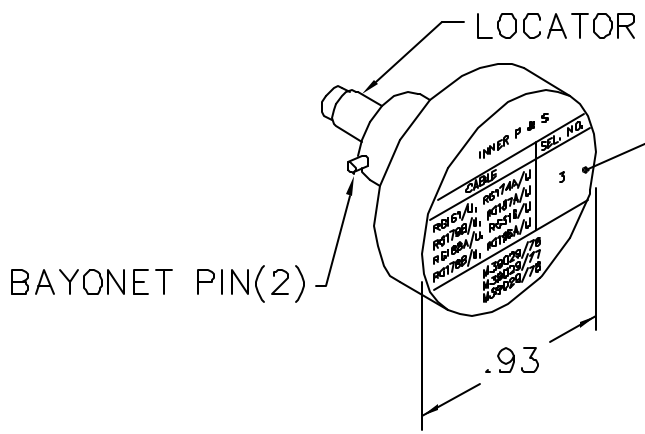
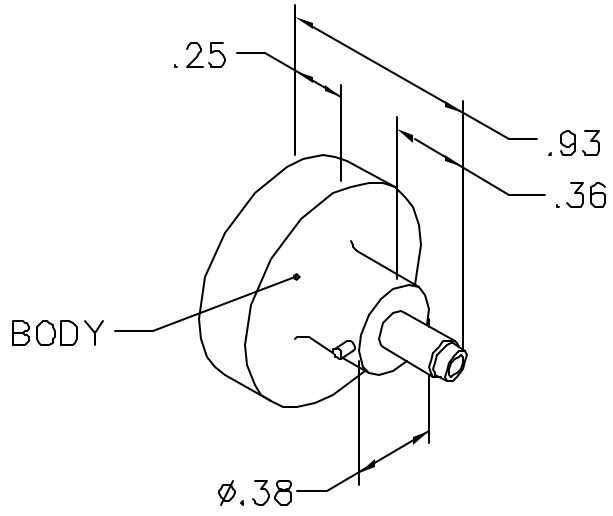
DO NOT SCALE DRAWING

DRN.	DH	DATE
CHK'D.	JS	DATE
APP'D.	AAM	DATE
APP'D.		DATE
NOTE: THIS DRAWING IS AN OUTLINE DRAWING OF THE RESPECTIVE DMC PART NUMBER INDICATED. ACTUAL DMC PART NUMBER IS DRAWING NUMBER WITHOUT THE "-ENV" SUFFIX.		

DMC		DANIELS MANUFACTURING CORP. ORLANDO, FLORIDA CAGE 11851	
TITLE ENVELOPE DRAWING POSITIONER			
WHERE USED:			
SIZE	SCALE	CAD P/N	SHEET OF
A	NTS	K496-ENV	1 1
POSTING	DWG. NO.	REV.	
	K496-ENV	1	

REVISIONS				
REV. SYM.	E.C.O. NUMBER	DESCRIPTION	BY DATE	APP'D DATE
1		ORIGINAL RELEASE	KP 4-28-89	TS 4-28-89

**UNCONTROLLED DOCUMENT
WILL NOT BE UPDATED**



NOTE: FOR USE WITH DANIELS CRIMP TOOL, AFM8.

LOCATOR	
HOLE DIMENSIONS	ADDITIONAL FEATURES
Ø.033 ∇ .580 MIN.	└┘ Ø.054 ∇ .024

RESTRICTED & CONFIDENTIAL

CONFIDENTIAL PROPERTY OF DANIELS MANUFACTURING CORP. NOT TO BE DISCLOSED TO OTHERS, REPRODUCED OR USED FOR ANY OTHER PURPOSE, EXCEPT AS AUTHORIZED IN WRITING BY DANIELS MANUFACTURING.
 MUST BE RETURNED TO DANIELS MANUFACTURING CORP. ON COMPLETION OF ORDER OR OTHER PURPOSE FOR WHICH LENT.

DO NOT SCALE DRAWING

DRN.	KP	DATE
CHK'D.	TS	DATE
APP'D.	AAM	DATE
APP'D.		DATE

Daniel's Manufacturing Corp.
 ORLANDO, FLORIDA
 GAGE 11851

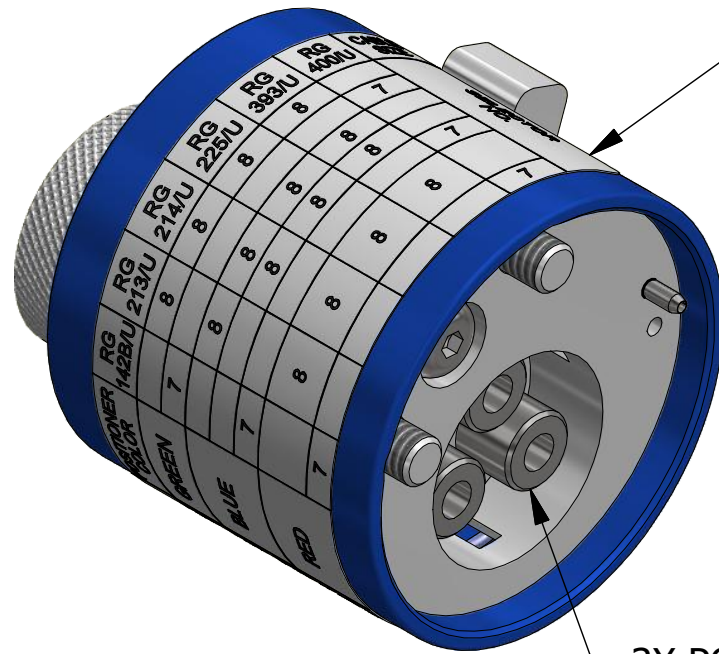
TITLE
**ENVELOPE DRAWING
 POSITIONER (M22520/2-35)**

WHERE USED: AFM8

SIZE	SCALE	CAD P/N	SHEET	OF
A	NTS	K532-1-ENV	1	1
POSTING	P/N	K532-1-ENV	REV.	
			1	

REVISIONS

REV	ECO NO.	DESCRIPTION	BY	DATE	APP'D BY	DATE
1		REDRAWN	AAM	4/24/2000	RRR	4/24/2000
2	23573	UPDATED & REDRAWN	TonyD	3/20/2015		



DATAPLATE

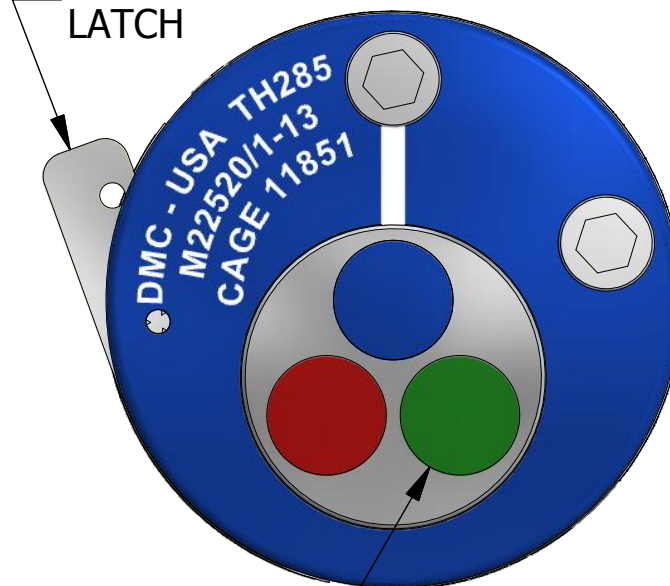
M39012/	POSITIONER COLOR	RG 142B/U	RG 213/U	RG 214/U	RG 225/U	RG 393/U	RG 400/U	CABLE SIZE
01-0501, 01-0502	GREEN		8	8	8	8		SELECTOR NO.
01-0503		7					7	
05-0501, 05-0502	BLUE		8	8	8	8		
39-0501		7		8	8	8		
05-0503, 39-0503		7					7	
02-0501, 02-0502	RED		8	8	8	8		
02-0511, 02-0512								
02-0503, 02-0513		7					7	

3X POSITIONER INSERTS

**UNCONTROLLED DOCUMENT
WILL NOT BE UPDATED**
DIMENSIONS IN INCHES - UNLESS OTHERWISE SPECIFIED

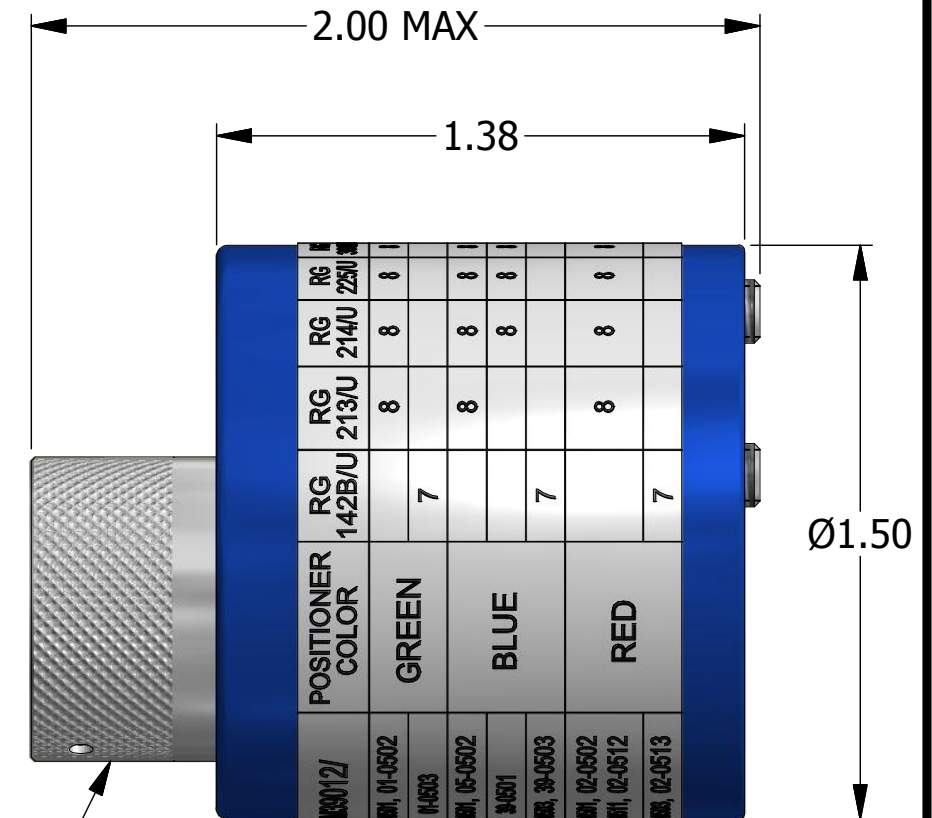


TURRET LATCH



RANDOM ORDER OF ROTATION IS ACCEPTABLE FOR POSITIONER INSERTS

TURRET



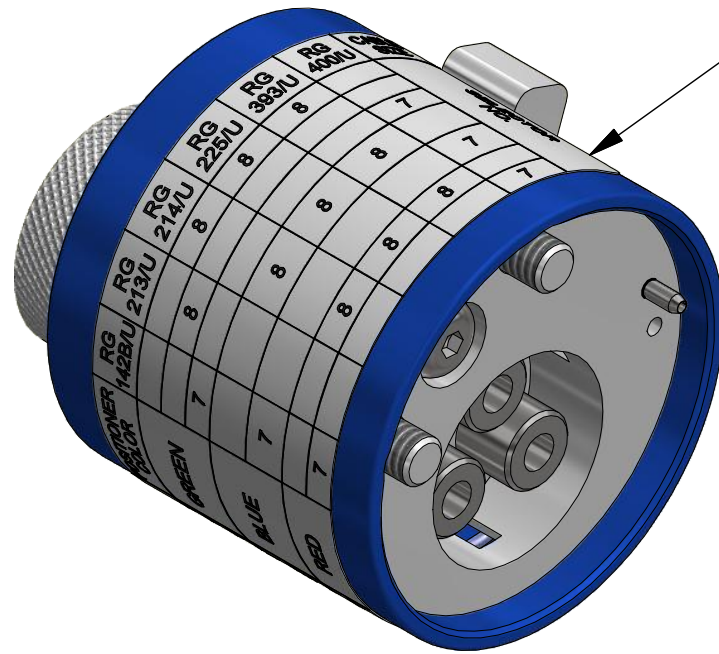
INSERT COLOR	HOLE DIMENSIONS	ADDITIONAL FEATURES
BLUE	Ø.125 ▽.495	
RED	Ø.125 ▽.563	
GREEN	Ø.125 ▽.595	

RESTRICTED & CONFIDENTIAL
CONFIDENTIAL PROPERTY OF DANIELS MANUFACTURING CORP. NOT TO BE DISCLOSED TO OTHERS. REPRODUCTION OR USED FOR ANY OTHER PURPOSE EXCEPT AS AUTHORIZED IN WRITING BY DANIELS MANUFACTURING. MUST BE RETURNED TO DANIELS MANUFACTURING CORP. ON COMPLETION OF ORDER OR PURPOSES FOR WHICH LENT.
CREATED FROM AN INVENTOR MODEL. CHANGES MUST BE REFLECTED IN THE 3D PART
DO NOT SCALE DRAWING

MATERIAL	ITEM	PART NO.	QTY.	DESCRIPTION / REMARKS
N/A	JWS			DANIELS MANUFACTURING CORP. ORLANDO, FLORIDA CAGE 11851
HEAT TREAT				NOTE: THIS DRAWING IS AN OUTLINE DRAWING OF THE RESPECTIVE DMC PART NUMBER INDICATED. ACTUAL DMC PART NUMBER IS CAD PART NUMBER WITHOUT THE "-ENV" SUFFIX
FINISH				TITLE: TURRET HEAD (M22520/1-13) ENVELOPE DRAWING
				WHERE USED: AF8
				SIZE: B SCALE: 2:1 CAD P/N: TH285-ENV SHEET: 1 OF 1
				DWG. NO. TH285 REV. 2

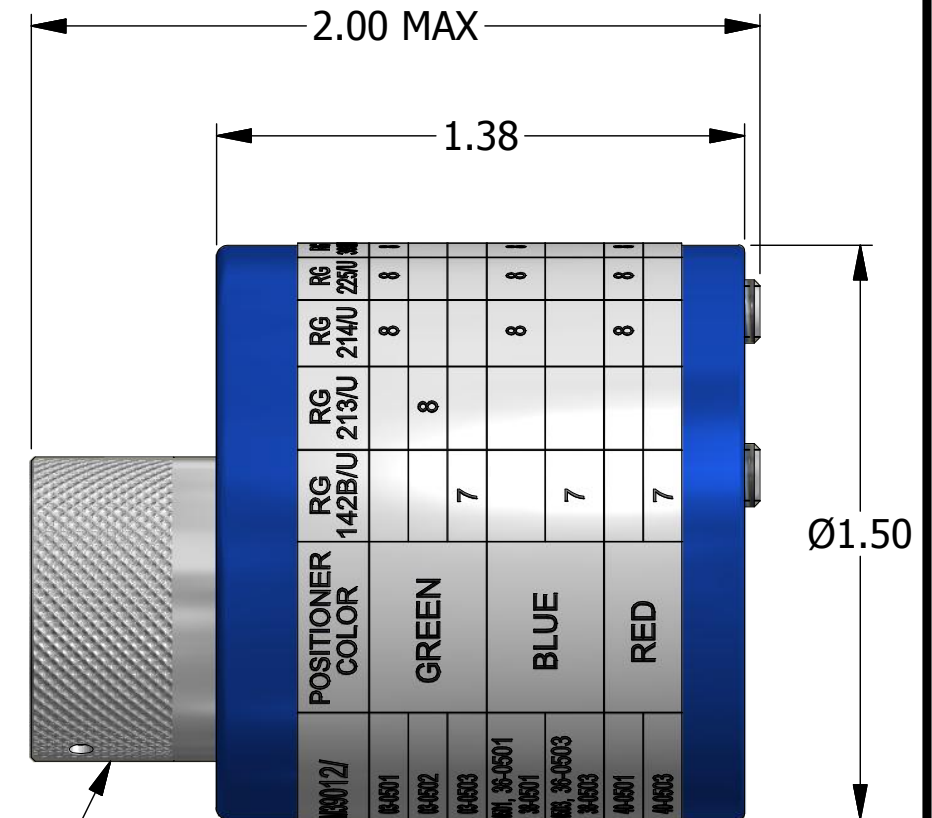
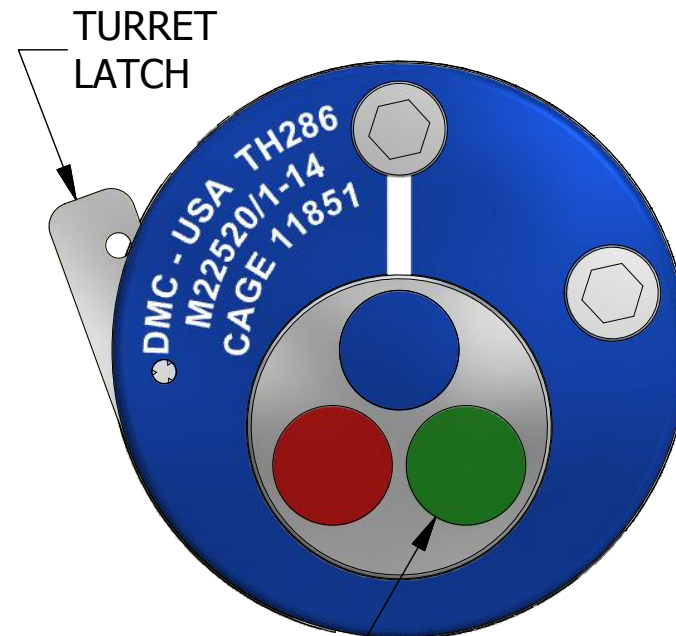
REVISIONS

REV	ECO NO.	DESCRIPTION	BY	DATE	APP'D BY	DATE
1		ORIGINAL RELEASE	JWS	3/25/1986	TS	3/25/1986
2	23573	UPDATED & REDRAWN	TonyD	3/24/2015		



M39012/	POSITIONER COLOR	RG 142B/U	RG 213/U	RG 214/U	RG 225/U	RG 393/U	RG 400/U	CABLE SIZE
03-0501	GREEN			8	8	8		SELECTOR NO.
03-0502			8					
03-0503		7					7	
35-0501, 36-0501 38-0501	BLUE			8	8	8		
35-0503, 36-0503 38-0503		7				7		
40-0501				8	8	8		
40-0503	RED	7					7	

**UNCONTROLLED DOCUMENT
WILL NOT BE UPDATED**
DIMENSIONS IN INCHES - UNLESS OTHERWISE SPECIFIED



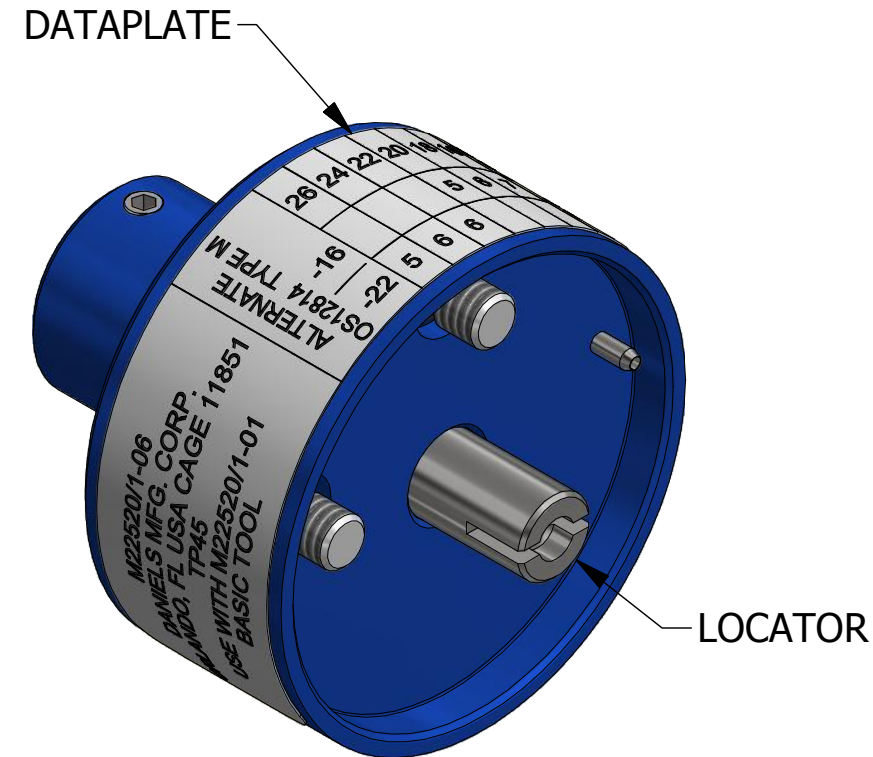
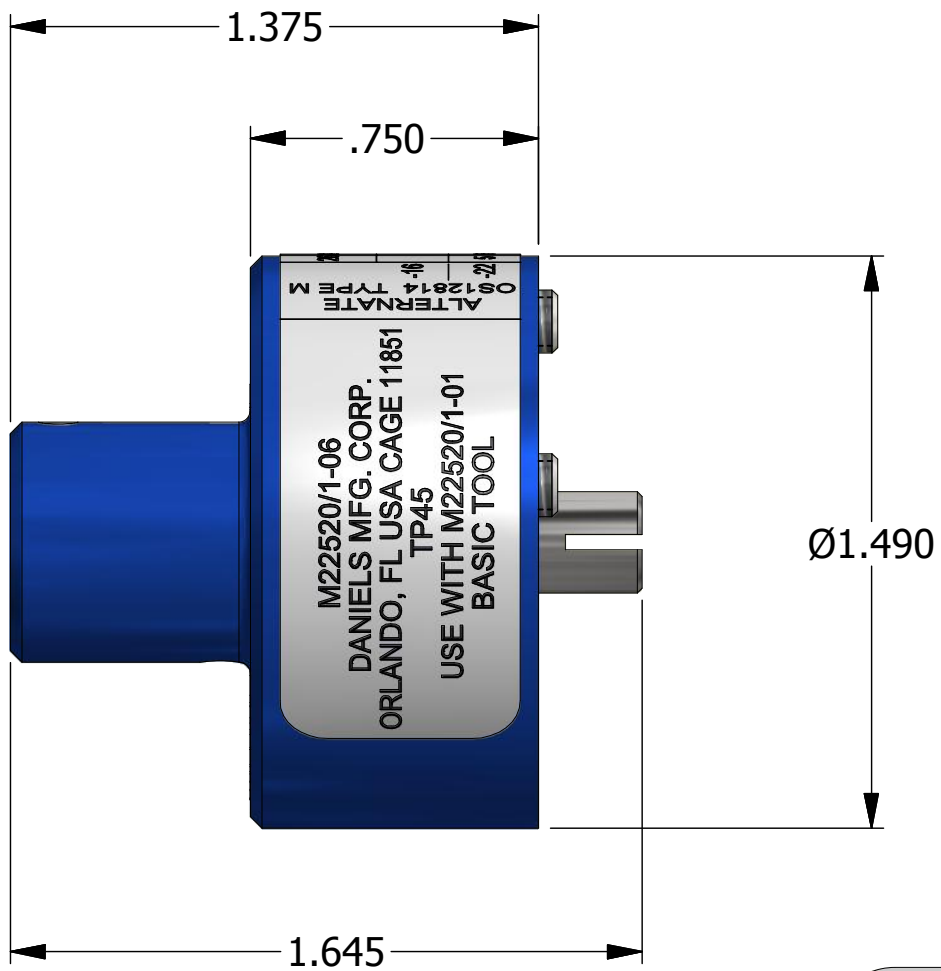
INSERT COLOR	HOLE DIMENSIONS	ADDITIONAL FEATURES
BLUE	Ø.096 ▽.686	└┐Ø.125 ▽.472
RED	Ø.125 ▽.892	
GREEN	Ø.125 ▽.779	

RANDOM ORDER OF ROTATION IS ACCEPTABLE FOR POSITIONER INSERTS

RESTRICTED & CONFIDENTIAL
CONFIDENTIAL PROPERTY OF DANIELS MANUFACTURING CORP. NOT TO BE DISCLOSED TO OTHERS. REPRODUCTION OR USED FOR ANY OTHER PURPOSE EXCEPT AS AUTHORIZED IN WRITING BY DANIELS MANUFACTURING. MUST BE RETURNED TO DANIELS MANUFACTURING CORP. ON COMPLETION OF ORDER OR PURPOSES FOR WHICH LENT.
CREATED FROM AN INVENTOR MODEL. CHANGES MUST BE REFLECTED IN THE 3D PART
DO NOT SCALE DRAWING

MATERIAL	ITEM	PART NO.	QTY.	DESCRIPTION / REMARKS
N/A	DRN. JWS CHK'D.	DATE 3/25/1986 DATE		DMC DANIELS MANUFACTURING CORP. ORLANDO, FLORIDA CAGE 11851
HEAT TREAT N/A	NOTE: THIS DRAWING IS AN OUTLINE DRAWING OF THE RESPECTIVE DMC PART NUMBER INDICATED. ACTUAL DMC PART NUMBER IS CAD PART NUMBER WITHOUT THE "-ENV" SUFFIX		TITLE TURRET HEAD (M22520/1-14) ENVELOPE DRAWING WHERE USED: AF8	
FINISH N/A	SIZE B	SCALE 2 : 1	CAD P/N TH286-ENV	SHEET 1 OF 1 REV. 2
			DWG. NO. TH286	

REVISIONS						
REV	ECO NO.	DESCRIPTION	BY	DATE	APP'D BY	DATE
2		REDRAWN	DH	4/12/1988	TS	4/12/1988
3	23573	UPDATED & REDRAWN	TonyD	2/24/2015		



LOCATOR	
HOLE DIMENSIONS	ADDITIONAL FEATURES
Ø.129 ▽.070	.040 SLOT ▽.200

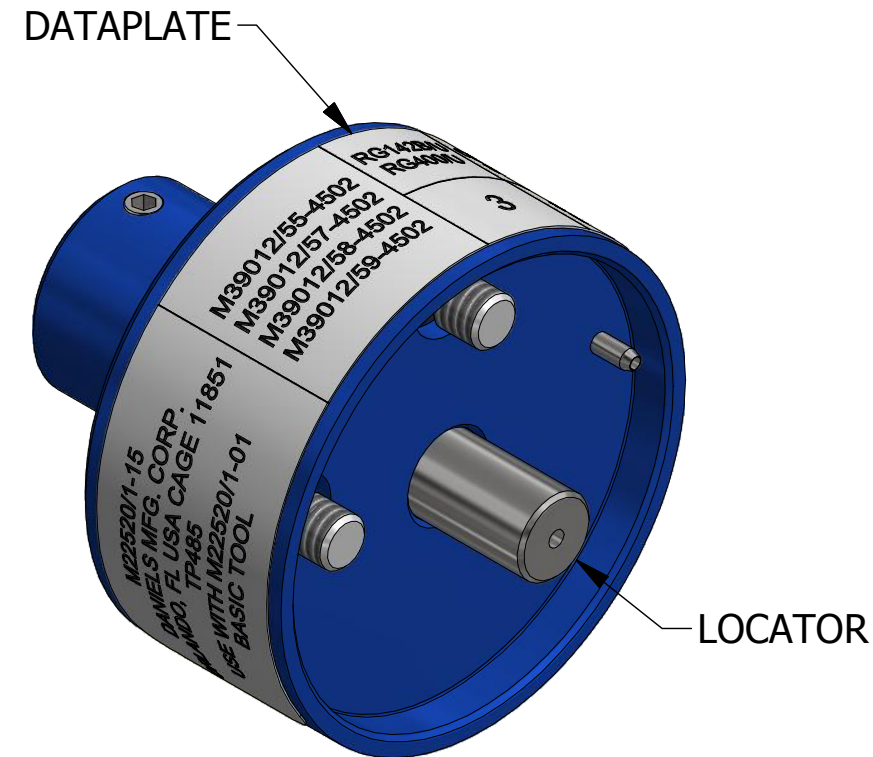
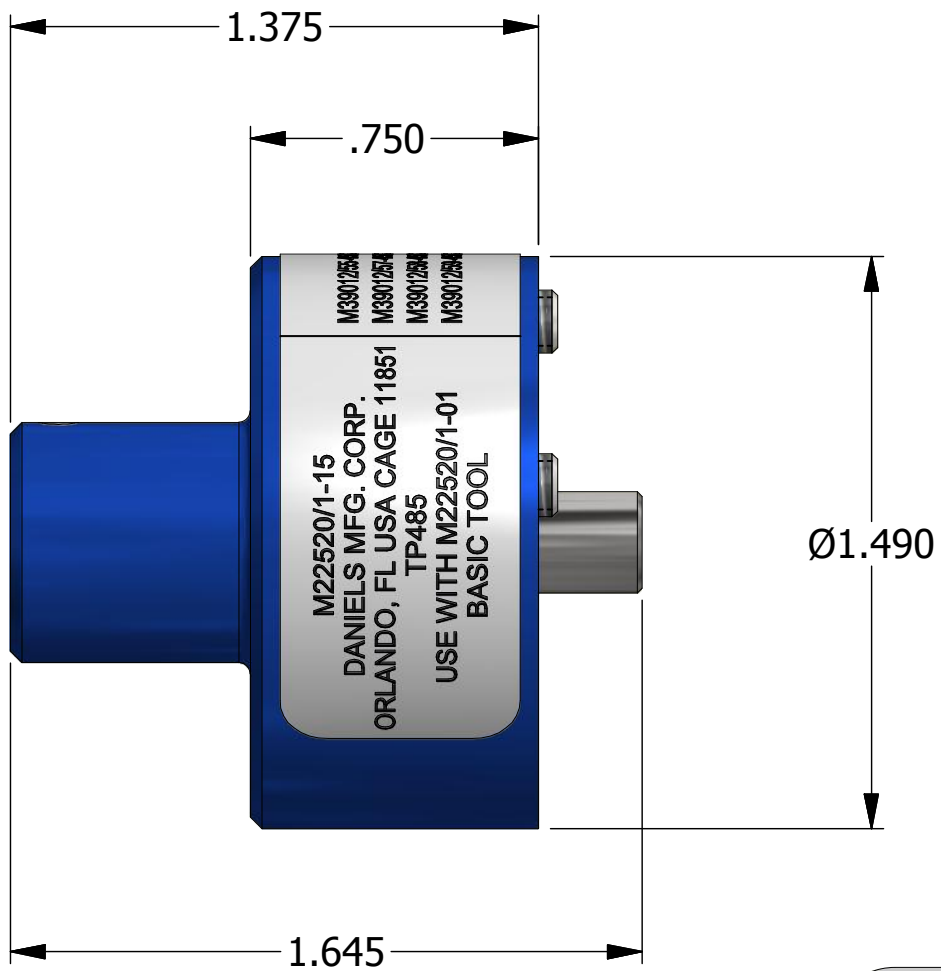
M22520/1-06 DANIELS MFG. CORP. ORLANDO, FL USA CAGE 11851 TP45 USE WITH M22520/1-01 BASIC TOOL	ALTERNATE OS12814 TYPE M	-16	26	24	22	20	18	16	WIRE SIZE
		-22	5	6	6				
						5	6	7	SEL NO.

DATAPLATE

**UNCONTROLLED DOCUMENT
WILL NOT BE UPDATED**
DIMENSIONS IN INCHES - UNLESS OTHERWISE SPECIFIED

RESTRICTED & CONFIDENTIAL CONFIDENTIAL PROPERTY OF DANIELS MANUFACTURING CORP. NOT TO BE DISCLOSED TO OTHERS. REPRODUCTION OR USED FOR ANY OTHER PURPOSE EXCEPT AS AUTHORIZED IN WRITING BY DANIELS MANUFACTURING. MUST BE RETURNED TO DANIELS MANUFACTURING CORP. ON COMPLETION OF ORDER OR PURPOSES FOR WHICH LENT.	MATERIAL	ITEM	PART NO.	QTY.	DESCRIPTION / REMARKS
	N/A	DRN. DH	DATE 4/12/1988		DANIELS MANUFACTURING CORP. ORLANDO, FLORIDA CAGE 11851
		CHK'D.	DATE		
CREATED FROM AN INVENTOR MODEL. CHANGES MUST BE REFLECTED IN THE 3D PART	HEAT TREAT	NOTE:		TITLE	
	N/A	THIS DRAWING IS AN OUTLINE DRAWING OF THE RESPECTIVE DMC PART NUMBER INDICATED. ACTUAL DMC PART NUMBER IS CAD PART NUMBER WITHOUT THE "-ENV" SUFFIX		SINGLE POSITION HEAD (M22520/1-06) ENVELOPE DRAWING WHERE USED: AF8	
DO NOT SCALE DRAWING	FINISH	N/A		SIZE	SCALE
				B	2 : 1
				CAD P/N	SHEET
				TP45-ENV	1 OF 1
				DWG. NO.	REV.
				TP45	3

REVISIONS						
REV	ECO NO.	DESCRIPTION	BY	DATE	APP'D BY	DATE
1		ORIGINAL RELEASE	AAM	9/30/1998	DE	9/30/1998
2	23573	UPDATED & REDRAWN	TonyD	3/24/2015		



LOCATOR	
HOLE DIMENSIONS	ADDITIONAL FEATURES
Ø.039 ▽.250	└┘Ø.055 ▽.140

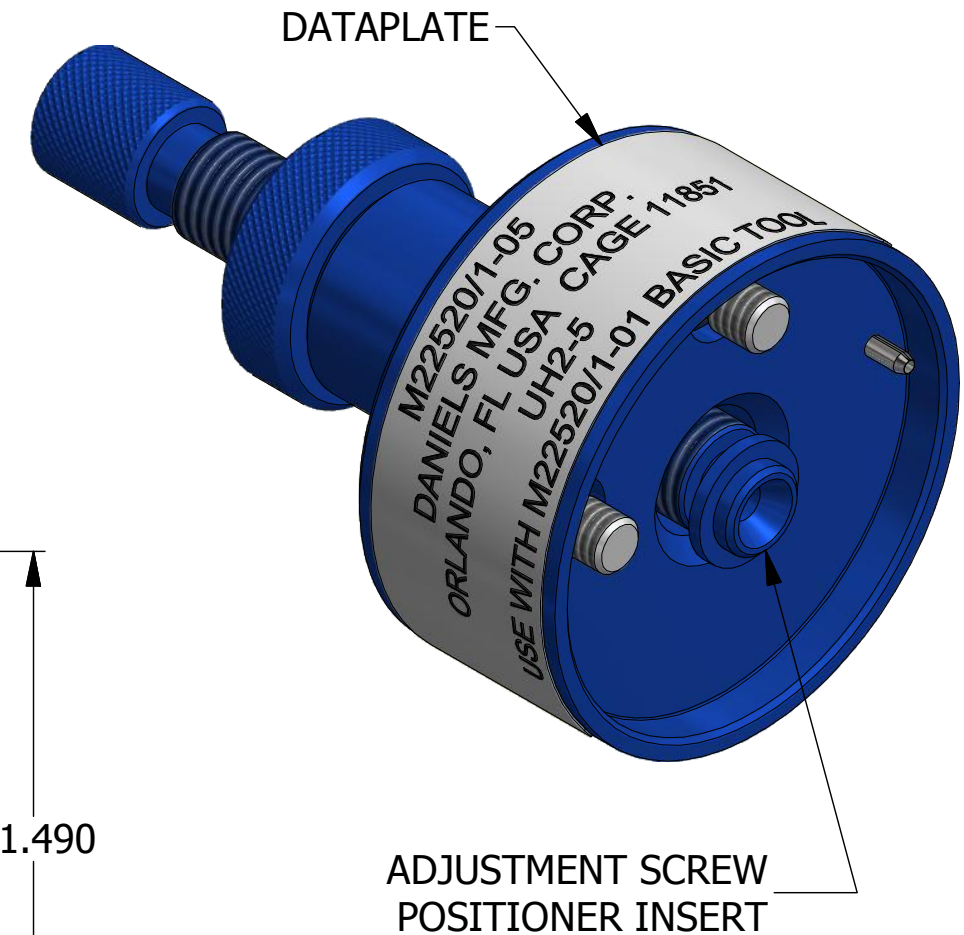
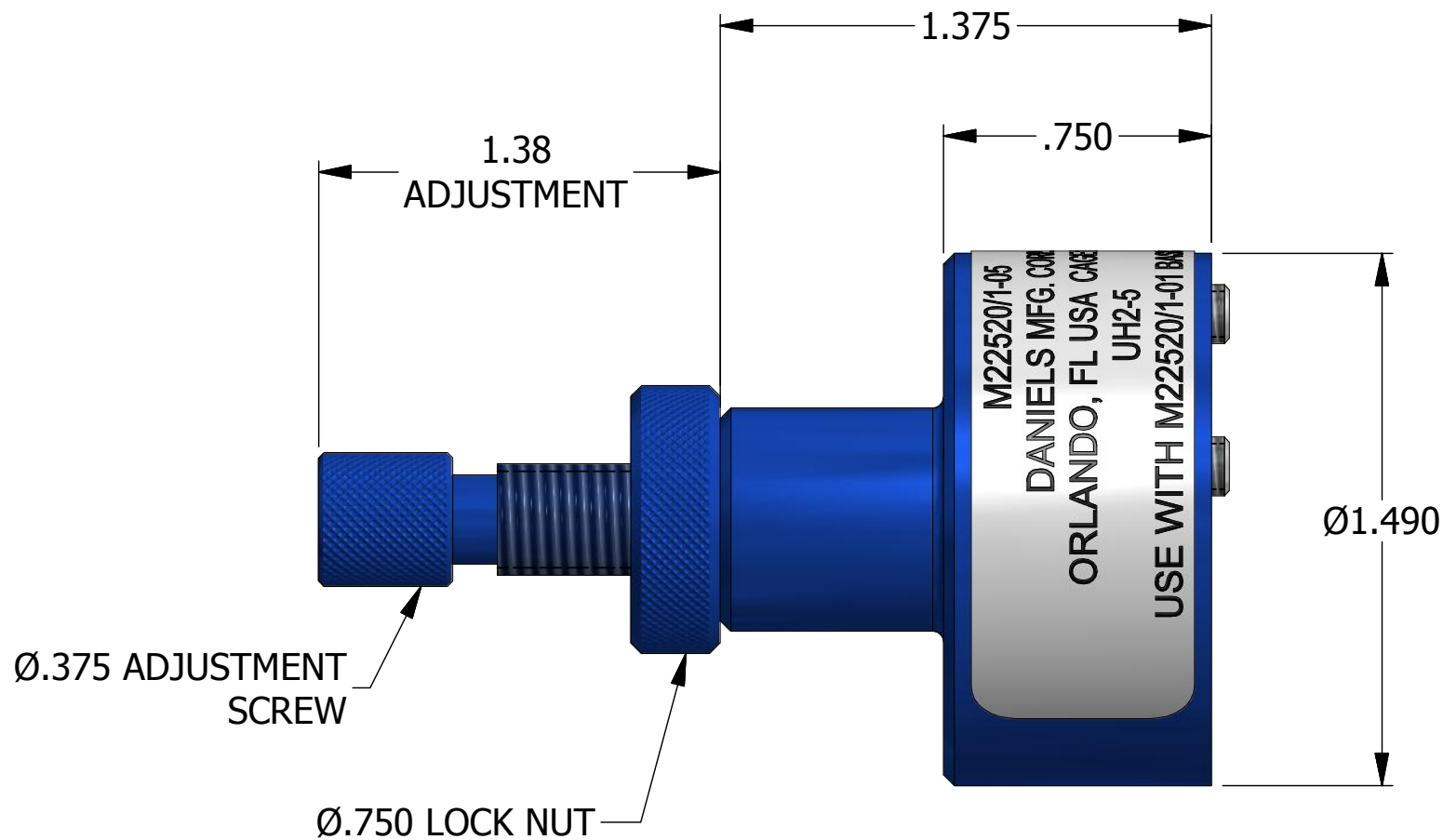
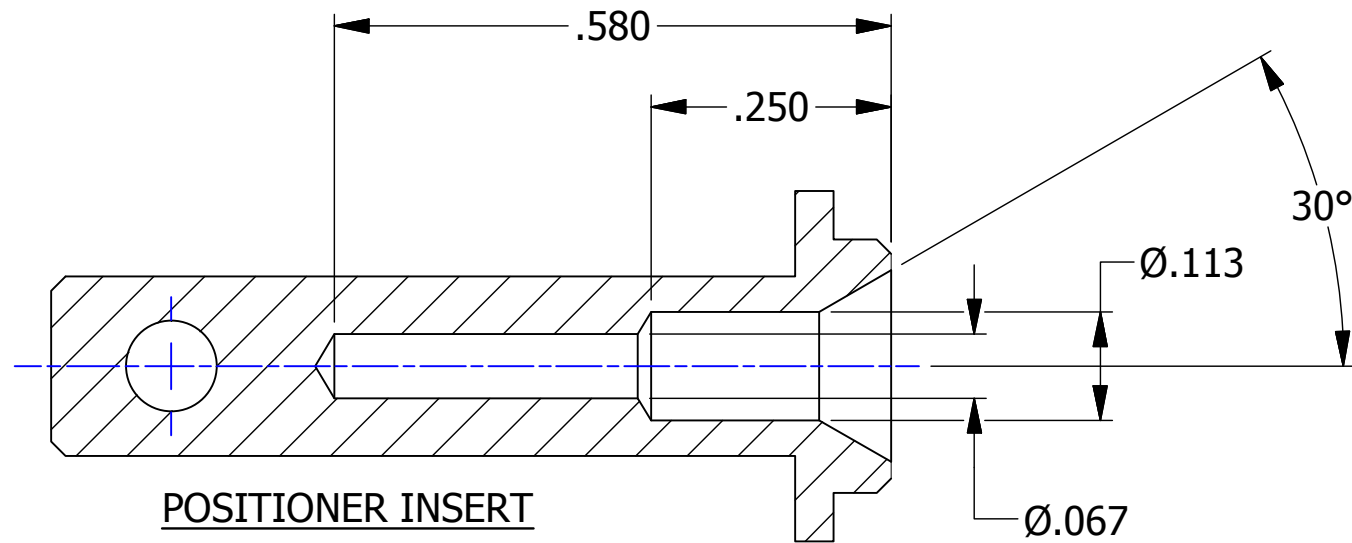
M22520/1-15 DANIELS MFG. CORP. ORLANDO, FL USA CAGE 11851 TP485 USE WITH M22520/1-01 BASIC TOOL	M39012/55-4502 M39012/57-4502 M39012/58-4502 M39012/59-4502	RG142B/U RG400/U	CABLE SIZE
		3	SEL NO.

DATAPLATE

**UNCONTROLLED DOCUMENT
WILL NOT BE UPDATED**
DIMENSIONS IN INCHES - UNLESS OTHERWISE SPECIFIED

MATERIAL	ITEM	PART NO.	QTY.	DESCRIPTION / REMARKS
N/A	DRN. A. MOO-YOUNG CHK'D.	DATE 9/30/1998 DATE		DMC DANIELS MANUFACTURING CORP. ORLANDO, FLORIDA CAGE 11851
RESTRICTED & CONFIDENTIAL CONFIDENTIAL PROPERTY OF DANIELS MANUFACTURING CORP. NOT TO BE DISCLOSED TO OTHERS. REPRODUCTION OR USED FOR ANY OTHER PURPOSE EXCEPT AS AUTHORIZED IN WRITING BY DANIELS MANUFACTURING. MUST BE RETURNED TO DANIELS MANUFACTURING CORP. ON COMPLETION OF ORDER OR PURPOSES FOR WHICH LENT.	HEAT TREAT	N/A		TITLE SINGLE POSITION HEAD (M22520/1-15) ENVELOPE DRAWING
CREATED FROM AN INVENTOR MODEL. CHANGES MUST BE REFLECTED IN THE 3D PART	FINISH	N/A		WHERE USED: AF8 SIZE B SCALE 2:1 CAD P/N TP485-ENV SHEET 1 OF 1
DO NOT SCALE DRAWING				DWG. NO. TP485 REV. 2

REVISIONS						
REV	ECO NO.	DESCRIPTION	BY	DATE	APP'D BY	DATE
1		ORIGINAL RELEASE	J. SRAITON	6/24/1991	PD	6/24/1991
2		ADDED INSERT DIMENSIONS	AAM	2/16/2000	RRR	2/16/2000
3		REMOVED LOCATION HOLE	AAM	3/26/2002	RRR	3/26/2002
4	23573	UPDATED & REDRAWN	TonyD	2/20/2015		

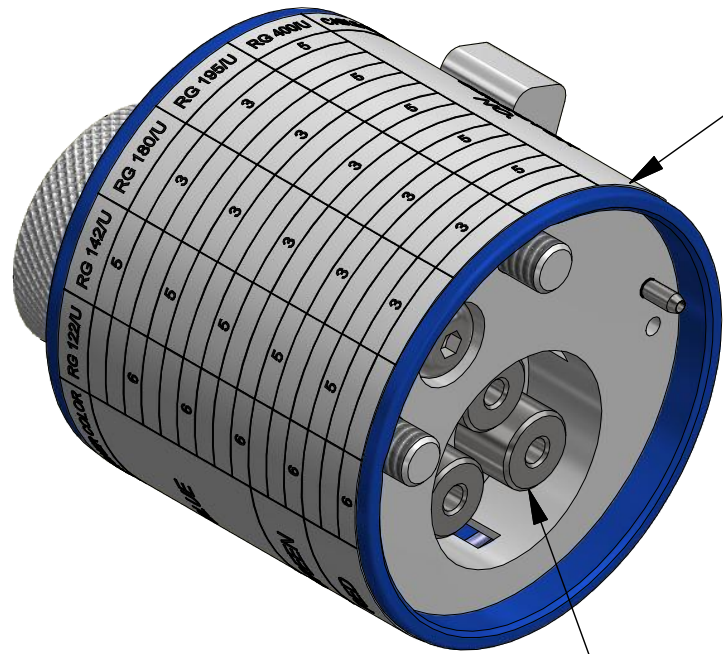


**UNCONTROLLED DOCUMENT
WILL NOT BE UPDATED**
DIMENSIONS IN INCHES - UNLESS OTHERWISE SPECIFIED

MATERIAL	ITEM	PART NO.	QTY.	DESCRIPTION / REMARKS
N/A	DRN. J. SRAITON CHK'D.	DATE 6/24/1991 DATE		DMC DANIELS MANUFACTURING CORP. ORLANDO, FLORIDA CAGE 11851
RESTRICTED & CONFIDENTIAL CONFIDENTIAL PROPERTY OF DANIELS MANUFACTURING CORP. NOT TO BE DISCLOSED TO OTHERS. REPRODUCTION OR USED FOR ANY OTHER PURPOSE EXCEPT AS AUTHORIZED IN WRITING BY DANIELS MANUFACTURING. MUST BE RETURNED TO DANIELS MANUFACTURING CORP. ON COMPLETION OF ORDER OR PURPOSES FOR WHICH LENT.	HEAT TREAT	N/A		NOTE: THIS DRAWING IS AN OUTLINE DRAWING OF THE RESPECTIVE DMC PART NUMBER INDICATED. ACTUAL DMC PART NUMBER IS CAD PART NUMBER WITHOUT THE "-ENV" SUFFIX
CREATED FROM AN INVENTOR MODEL. CHANGES MUST BE REFLECTED IN THE 3D PART	FINISH	N/A		TITLE: UNIVERSAL HEAD (M22520/1-05) ENVELOPE DRAWING WHERE USED: AF8
DO NOT SCALE DRAWING				SIZE: B SCALE: 2 : 1 CAD P/N: UH2-5-ENV SHEET: 1 OF 1 DWG. NO.: UH2-5 REV.: 4

REVISIONS

REV	ECO NO.	DESCRIPTION	BY	DATE	APP'D BY	DATE
1		ORIGINAL RELEASE	AAM	12/20/1999	RRR	12/20/1999
2	23573	UPDATED & REDRAWN	TonyD	3/17/2015		



DATAPLATE

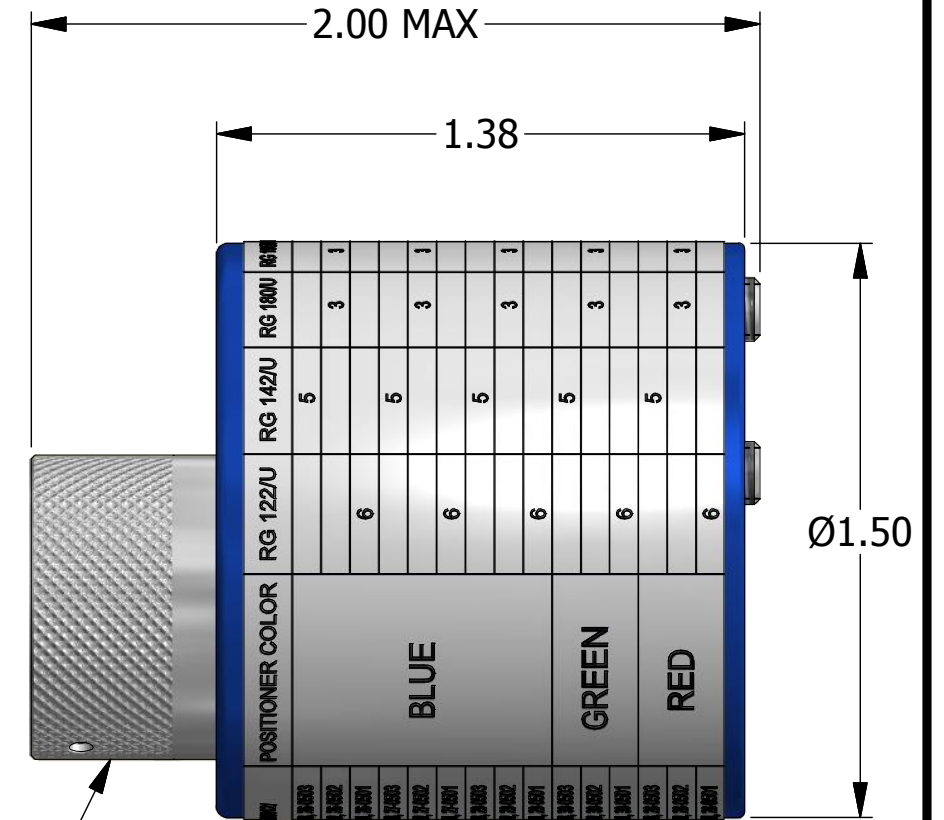
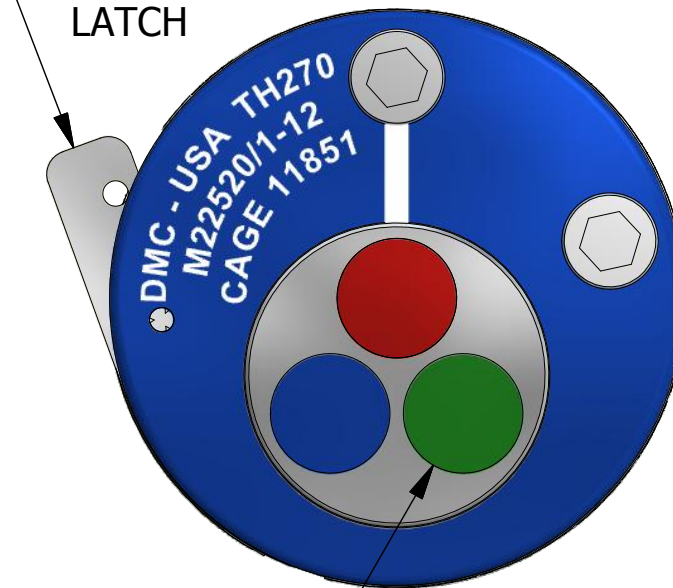
M39012/	POSITIONER COLOR	RG 122/U	RG 142/U	RG 180/U	RG 195/U	RG 400/U	CABLE SIZE
16-0503, 26-0503	BLUE		5			5	SELECTOR NO.
16-0502, 26-0502				3	3		
16-0501, 26-0501		6					
17-0503, 27-0503			5			5	
17-0502, 27-0502		6		3	3		
17-0501, 27-0501							
18-0503, 29-0503	GREEN		5			5	
18-0502, 29-0502				3	3		
18-0501, 29-0501		6					
20-0503, 30-0503			5			5	
20-0502, 30-0502		6		3	3		
20-0501, 30-0501							
19-0503, 28-0503	RED		5			5	
19-0502, 28-0502				3	3		
19-0501, 28-0501		6					

3X POSITIONER INSERTS

**UNCONTROLLED DOCUMENT
WILL NOT BE UPDATED**
DIMENSIONS IN INCHES - UNLESS OTHERWISE SPECIFIED



TURRET
LATCH



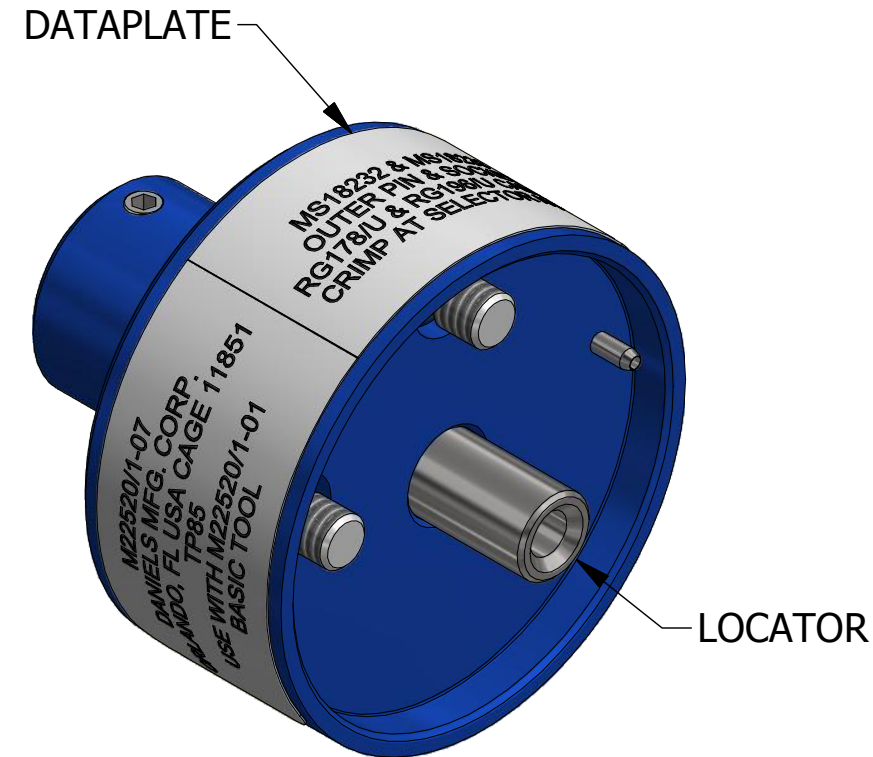
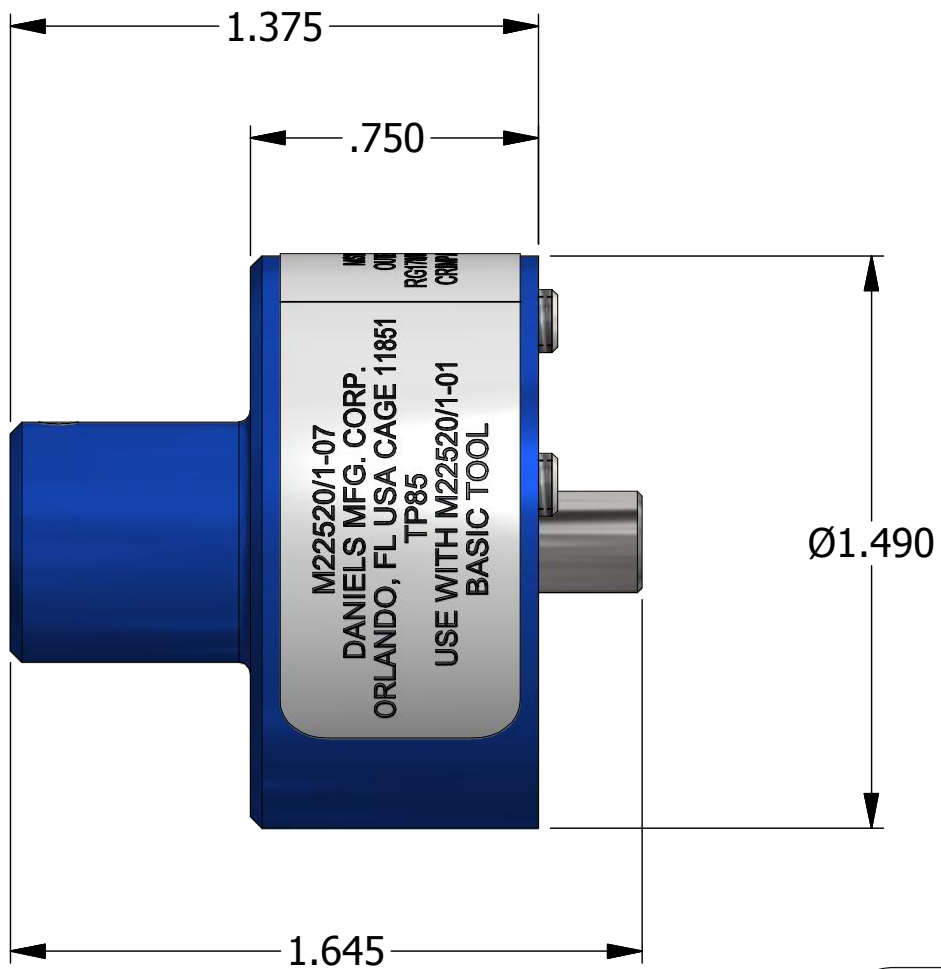
TURRET

RANDOM ORDER OF
ROTATION IS ACCEPTABLE
FOR POSITIONER INSERTS

INSERT COLOR	HOLE DIMENSIONS	ADDITIONAL FEATURES
RED	Ø.086 ▽.512	
BLUE	Ø.059 ▽.294	└┬┘Ø.086 ▽.273
GREEN	Ø.086 ▽.422	

MATERIAL	ITEM	PART NO.	QTY.	DESCRIPTION / REMARKS
N/A	DRN. A. MOO-YOUNG CHK'D.	DATE 12/20/1999 DATE		DMC DANIELS MANUFACTURING CORP. ORLANDO, FLORIDA CAGE 11851
RESTRICTED & CONFIDENTIAL CONFIDENTIAL PROPERTY OF DANIELS MANUFACTURING CORP. NOT TO BE DISCLOSED TO OTHERS. REPRODUCTION OR USED FOR ANY OTHER PURPOSE EXCEPT AS AUTHORIZED IN WRITING BY DANIELS MANUFACTURING. MUST BE RETURNED TO DANIELS MANUFACTURING CORP. ON COMPLETION OF ORDER OR PURPOSES FOR WHICH LENT.		HEAT TREAT		NOTE: THIS DRAWING IS AN OUTLINE DRAWING OF THE RESPECTIVE DMC PART NUMBER INDICATED. ACTUAL DMC PART NUMBER IS CAD PART NUMBER WITHOUT THE "-ENV" SUFFIX
CREATED FROM AN INVENTOR MODEL. CHANGES MUST BE REFLECTED IN THE 3D PART		FINISH		TITLE TURRET HEAD (M22520/1-12) ENVELOPE DRAWING WHERE USED: AF8
DO NOT SCALE DRAWING				SIZE B
				SCALE 2 : 1
				CAD P/N TH270-ENV
				SHEET 1 OF 1
				DWG. NO. TH270
				REV. 2

REVISIONS						
REV	ECO NO.	DESCRIPTION	BY	DATE	APP'D BY	DATE
1		ORIGINAL RELEASE	JWJ	5/28/2004	RRR	5/28/2004
2	23573	UPDATED & REDRAWN	TonyD	2/25/2015		



LOCATOR	
HOLE DIMENSIONS	ADDITIONAL FEATURES
Ø.109 ▽.580	└┬┘Ø.136 ▽.275

M22520/1-07 DANIELS MFG. CORP. ORLANDO, FL USA CAGE 11851 TP85 USE WITH M22520/1-01 BASIC TOOL	MS18232 & MS18233 OUTER PIN & SOCKET RG178/U & RG196/U CABLES CRIMP AT SELECTOR NO. 7
---	--

DATAPLATE

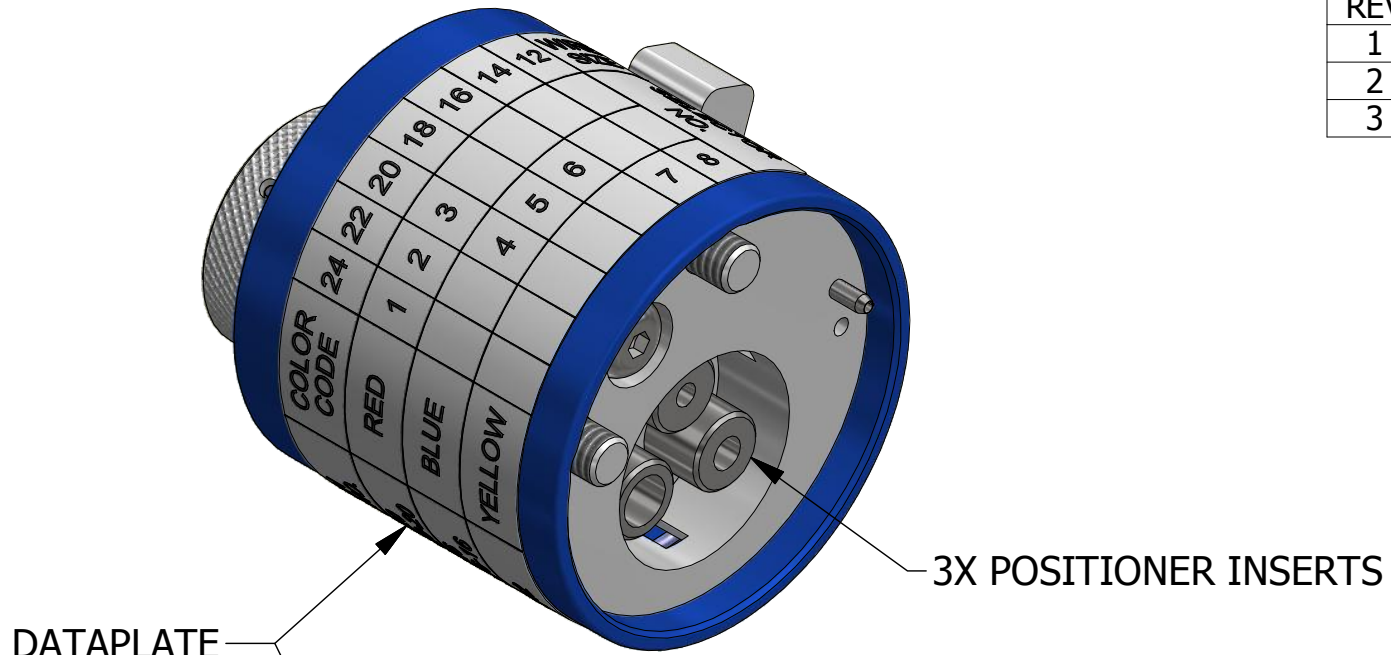
UNCONTROLLED DOCUMENT
WILL NOT BE UPDATED
 DIMENSIONS IN INCHES - UNLESS OTHERWISE SPECIFIED

MATERIAL	ITEM	PART NO.	QTY.	DESCRIPTION / REMARKS
N/A	DRN. J. JOYCE CHK'D. DATE	DATE 5/28/2004 DATE		DMC DANIELS MANUFACTURING CORP. ORLANDO, FLORIDA CAGE 11851
RESTRICTED & CONFIDENTIAL CONFIDENTIAL PROPERTY OF DANIELS MANUFACTURING CORP. NOT TO BE DISCLOSED TO OTHERS. REPRODUCTION OR USED FOR ANY OTHER PURPOSE EXCEPT AS AUTHORIZED IN WRITING BY DANIELS MANUFACTURING. MUST BE RETURNED TO DANIELS MANUFACTURING CORP. ON COMPLETION OF ORDER OR PURPOSES FOR WHICH LENT.	HEAT TREAT	N/A		TITLE: SINGLE POSITION HEAD (M22520/1-07) ENVELOPE DRAWING WHERE USED: AF8
CREATED FROM AN INVENTOR MODEL. CHANGES MUST BE REFLECTED IN THE 3D PART	FINISH	N/A		NOTE: THIS DRAWING IS AN OUTLINE DRAWING OF THE RESPECTIVE DMC PART NUMBER INDICATED. ACTUAL DMC PART NUMBER IS CAD PART NUMBER WITHOUT THE "-ENV" SUFFIX
DO NOT SCALE DRAWING				SIZE: B SCALE: 2:1 CAD P/N: TP85-ENV SHEET: 1 OF 1 DWG. NO.: TP85 REV.: 2

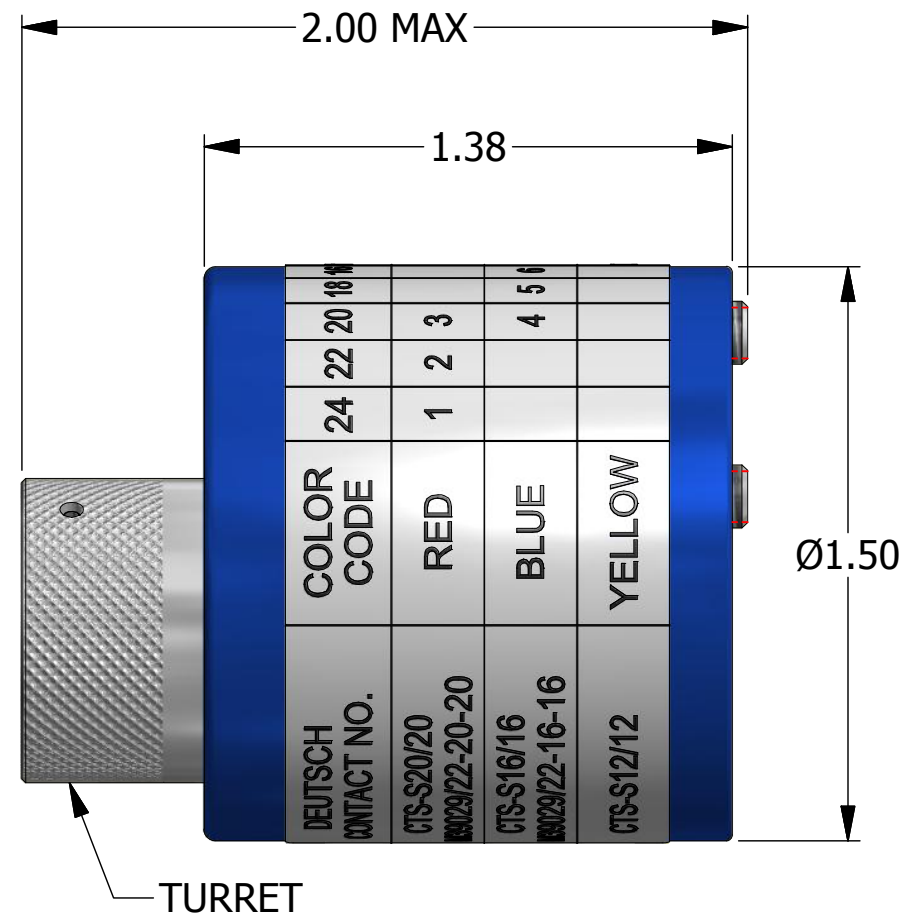
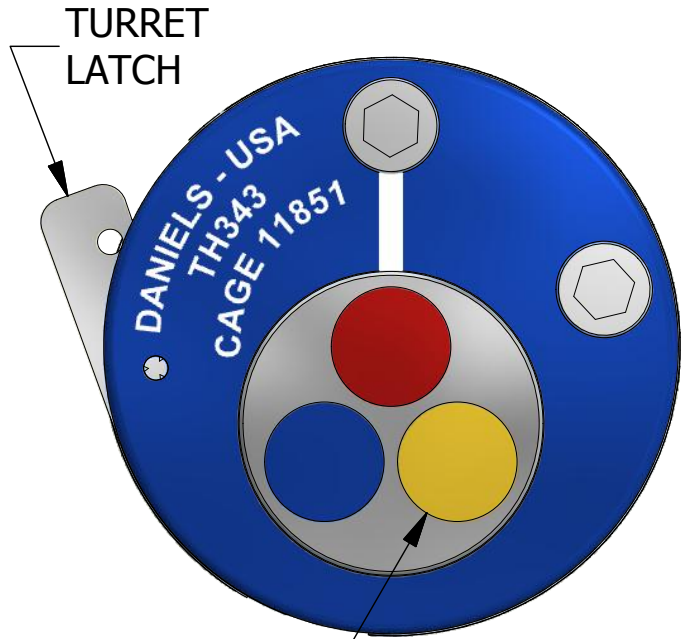
REVISIONS						
REV	ECO NO.	DESCRIPTION	BY	DATE	APP'D BY	DATE
1		ORIGINAL RELEASE	AAM	1/20/1986	RRR	1/21/1986
2		.081 & .113 WERE .096 & .134	AAM	10/14/1999	RRR	10/14/1999
3	23573	UPDATED & REDRAWN	TonyD	4/6/2015		

**UNCONTROLLED DOCUMENT
WILL NOT BE UPDATED**

DIMENSIONS IN INCHES - UNLESS OTHERWISE SPECIFIED



DEUTSCH CONTACT NO.	COLOR CODE	24	22	20	18	16	14	12	WIRE SIZE	SELECTOR NO.
CTS-S20/20 M39029/22-20-20	RED	1	2	3						
CTS-S16/16 M39029/22-16-16	BLUE			4	5	6				
CTS-S12/12	YELLOW						7	8		



INSERT COLOR	HOLE DIMENSIONS	ADDITIONAL FEATURES
RED	Ø.081 ▽.153	
BLUE	Ø.113 ▽.153	
YELLOW	Ø.172 ▽.207	

RANDOM ORDER OF
ROTATION IS ACCEPTABLE
FOR POSITIONER INSERTS

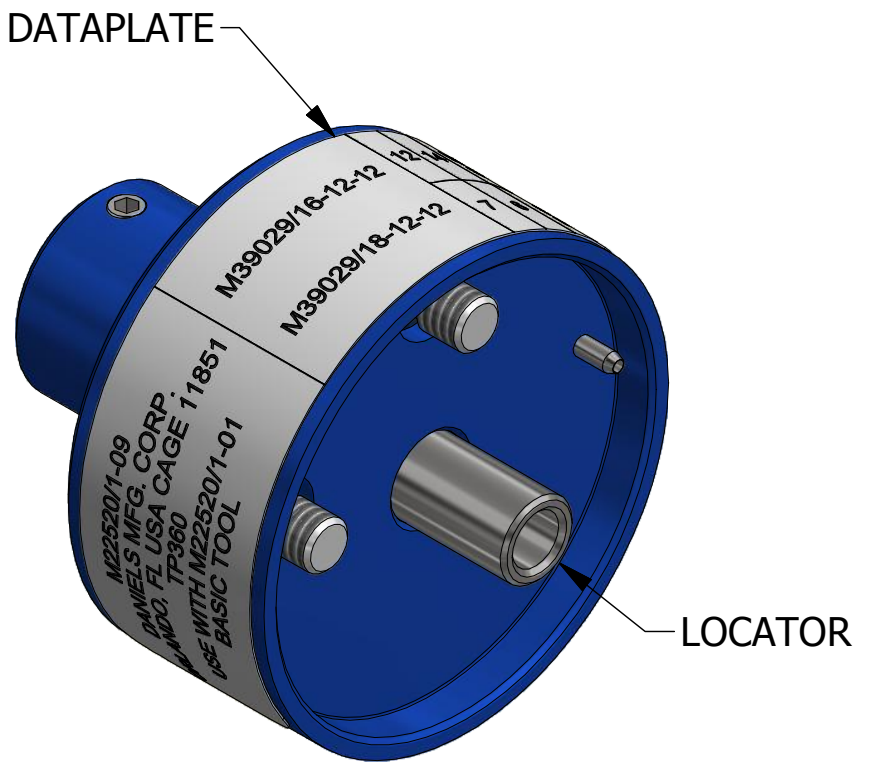
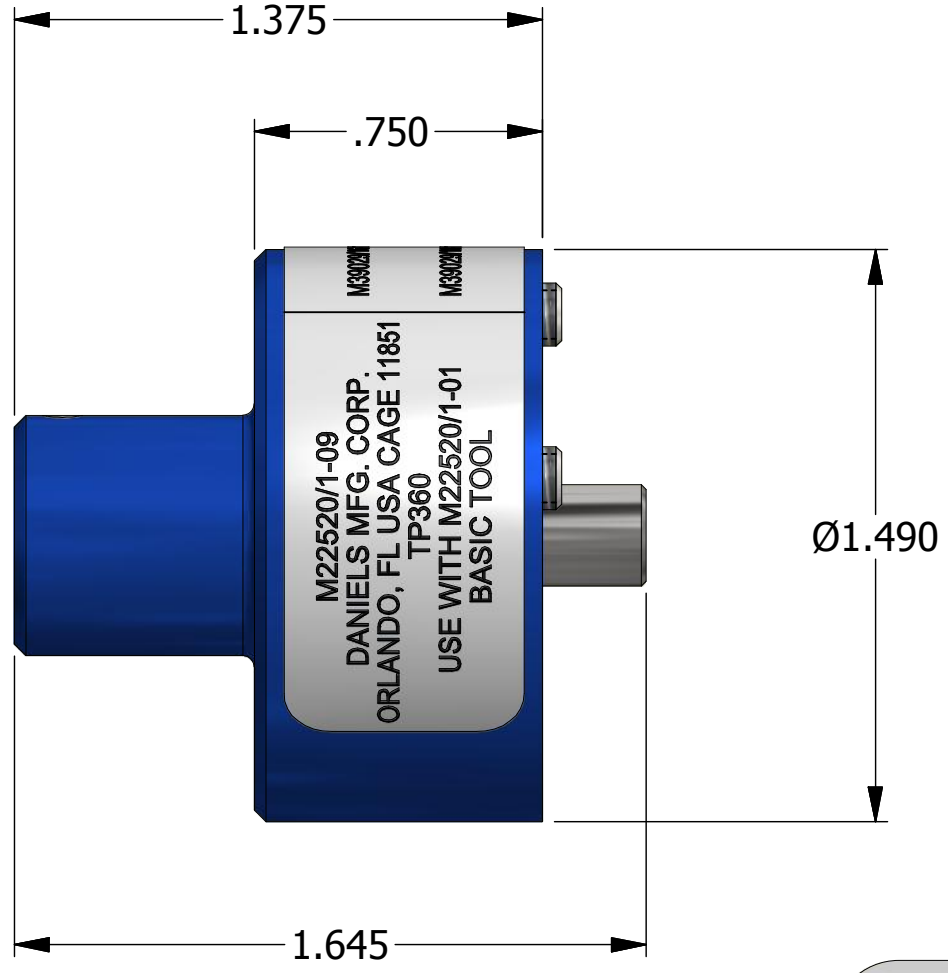
RESTRICTED & CONFIDENTIAL
CONFIDENTIAL PROPERTY OF DANIELS MANUFACTURING CORP. NOT TO BE DISCLOSED TO OTHERS. REPRODUCTION OR USED FOR ANY OTHER PURPOSE EXCEPT AS AUTHORIZED IN WRITING BY DANIELS MANUFACTURING. MUST BE RETURNED TO DANIELS MANUFACTURING CORP. ON COMPLETION OF ORDER OR PURPOSES FOR WHICH LENT.

CREATED FROM AN INVENTOR MODEL.
CHANGES MUST BE REFLECTED IN THE 3D PART

DO NOT SCALE DRAWING

MATERIAL	ITEM	PART NO.	QTY.	DESCRIPTION / REMARKS
N/A	DRN. A. MOO-YOUNG CHK'D.	DATE 10/14/1999 DATE		DMC DANIELS MANUFACTURING CORP. ORLANDO, FLORIDA CAGE 11851
HEAT TREAT	NOTE: THIS DRAWING IS AN OUTLINE DRAWING OF THE RESPECTIVE DMC PART NUMBER INDICATED. ACTUAL DMC PART NUMBER IS CAD PART NUMBER WITHOUT THE "-ENV" SUFFIX		TITLE TURRET HEAD (M22520/1-18) ENVELOPE DRAWING	
FINISH	WHERE USED: AF8		SIZE	SHEET
N/A	SCALE 2 : 1		CAD P/N	1 OF 1
	DWG. NO. TH343		REV.	3

REVISIONS						
REV	ECO NO.	DESCRIPTION	BY	DATE	APP'D BY	DATE
1		ORIGINAL RELEASE	AAM	4/14/1997	DE	4/14/1997
2	23573	UPDATED & REDRAWN	TonyD	3/1/2015		



LOCATOR	
HOLE DIMENSIONS	ADDITIONAL FEATURES
Ø.098 ▽.435	└┬┘Ø.171 ▽.415

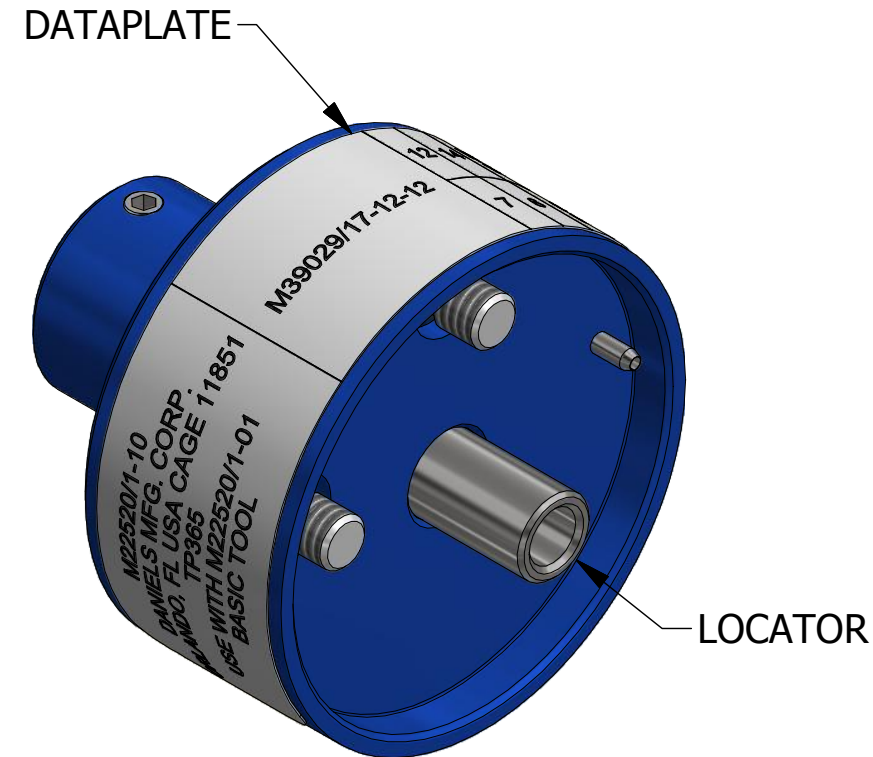
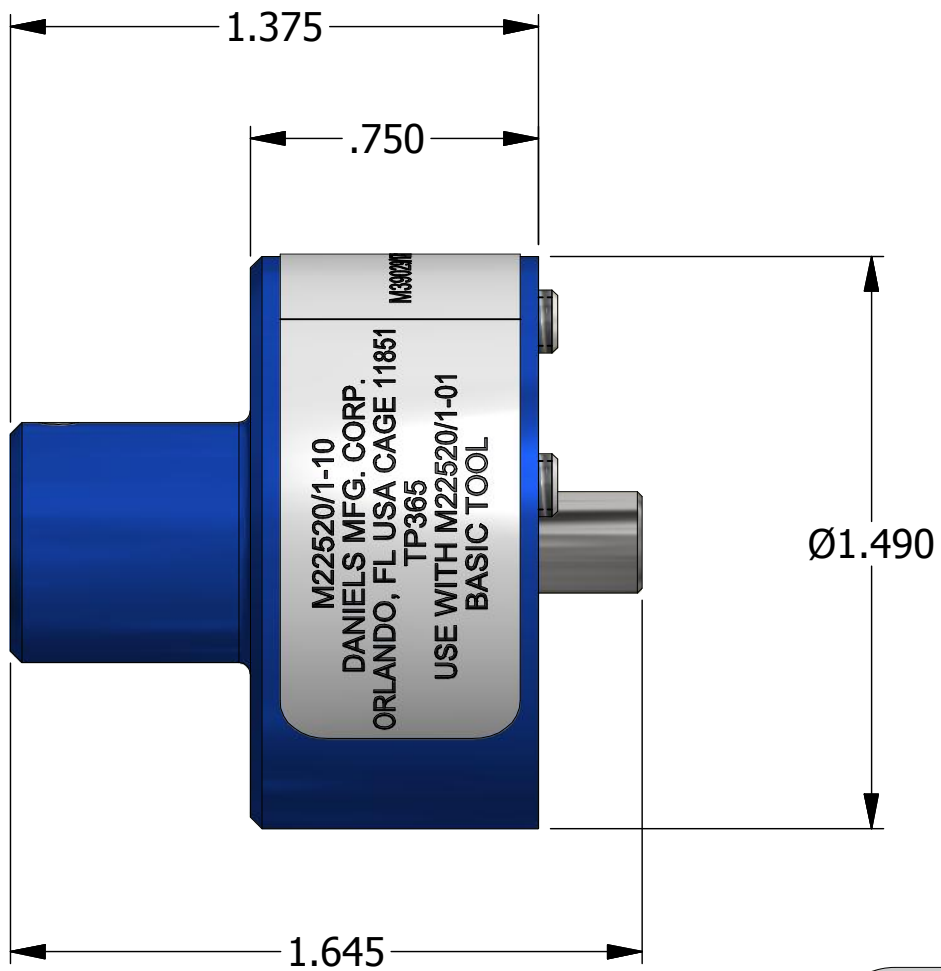
M22520/1-09 DANIELS MFG. CORP. ORLANDO, FL USA CAGE 11851 TP360 USE WITH M22520/1-01 BASIC TOOL	M39029/16-12-12	12	14	WIRE SIZE
	M39029/18-12-12	7	6	SEL NO.

DATAPLATE

**UNCONTROLLED DOCUMENT
WILL NOT BE UPDATED**
DIMENSIONS IN INCHES - UNLESS OTHERWISE SPECIFIED

MATERIAL	ITEM	PART NO.	QTY.	DESCRIPTION / REMARKS
N/A	DRN. A. MOO-YOUNG CHK'D.	DATE 4/14/1997 DATE		DMC DANIELS MANUFACTURING CORP. ORLANDO, FLORIDA CAGE 11851
RESTRICTED & CONFIDENTIAL CONFIDENTIAL PROPERTY OF DANIELS MANUFACTURING CORP. NOT TO BE DISCLOSED TO OTHERS. REPRODUCTION OR USED FOR ANY OTHER PURPOSE EXCEPT AS AUTHORIZED IN WRITING BY DANIELS MANUFACTURING. MUST BE RETURNED TO DANIELS MANUFACTURING CORP. ON COMPLETION OF ORDER OR PURPOSES FOR WHICH LENT.	HEAT TREAT	N/A		TITLE: SINGLE POSITION HEAD (M22520/1-09) ENVELOPE DRAWING WHERE USED: AF8
CREATED FROM AN INVENTOR MODEL. CHANGES MUST BE REFLECTED IN THE 3D PART	FINISH	N/A		NOTE: THIS DRAWING IS AN OUTLINE DRAWING OF THE RESPECTIVE DMC PART NUMBER INDICATED. ACTUAL DMC PART NUMBER IS CAD PART NUMBER WITHOUT THE "-ENV" SUFFIX
DO NOT SCALE DRAWING				SIZE: B SCALE: 2 : 1 CAD P/N: TP360-ENV SHEET: 1 OF 1 DWG. NO.: TP360 REV.: 2

REVISIONS						
REV	ECO NO.	DESCRIPTION	BY	DATE	APP'D BY	DATE
1		ORIGINAL RELEASE	TD	5/11/1998	RRR	5/11/1998
2	23573	UPDATED & REDRAWN	TonyD	3/3/2015		



LOCATOR	
HOLE DIMENSIONS	ADDITIONAL FEATURES
Ø.171 ▽.745	

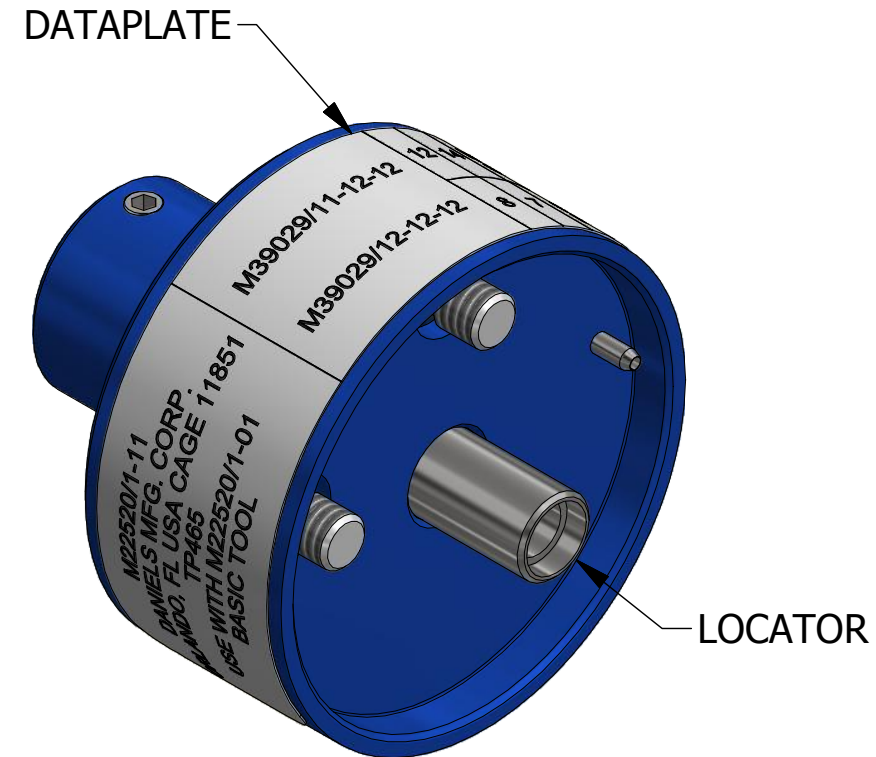
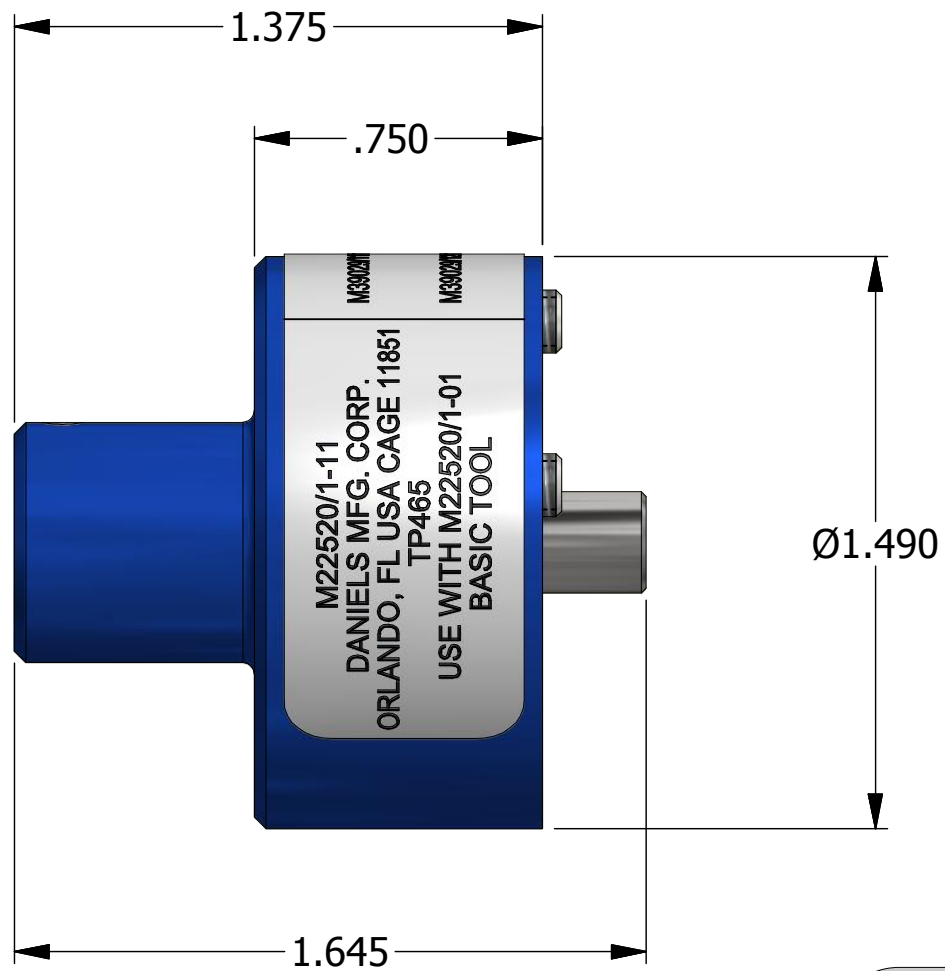
M22520/1-10 DANIELS MFG. CORP. ORLANDO, FL USA CAGE 11851 TP365 USE WITH M22520/1-01 BASIC TOOL	M39029/17-12-12	12	14	WIRE SIZE
		7	6	SEL NO.

DATAPLATE

MATERIAL	ITEM	PART NO.	QTY.	DESCRIPTION / REMARKS
N/A	DRN. A. MOO-YOUNG CHK'D.	DATE 5/11/1998 DATE		DMC DANIELS MANUFACTURING CORP. ORLANDO, FLORIDA CAGE 11851
RESTRICTED & CONFIDENTIAL CONFIDENTIAL PROPERTY OF DANIELS MANUFACTURING CORP. NOT TO BE DISCLOSED TO OTHERS. REPRODUCTION OR USED FOR ANY OTHER PURPOSE EXCEPT AS AUTHORIZED IN WRITING BY DANIELS MANUFACTURING. MUST BE RETURNED TO DANIELS MANUFACTURING CORP. ON COMPLETION OF ORDER OR PURPOSES FOR WHICH LENT.	HEAT TREAT	N/A		TITLE: SINGLE POSITION HEAD (M22520/1-10) ENVELOPE DRAWING WHERE USED: AF8
CREATED FROM AN INVENTOR MODEL. CHANGES MUST BE REFLECTED IN THE 3D PART	FINISH	N/A		NOTE: THIS DRAWING IS AN OUTLINE DRAWING OF THE RESPECTIVE DMC PART NUMBER INDICATED. ACTUAL DMC PART NUMBER IS CAD PART NUMBER WITHOUT THE "-ENV" SUFFIX
DO NOT SCALE DRAWING				SIZE: B SCALE: 2:1 CAD P/N: TP365-ENV SHEET: 1 OF 1 DWG. NO.: TP365 REV.: 2

**UNCONTROLLED DOCUMENT
WILL NOT BE UPDATED**
DIMENSIONS IN INCHES - UNLESS OTHERWISE SPECIFIED

REVISIONS						
REV	ECO NO.	DESCRIPTION	BY	DATE	APP'D BY	DATE
1		REDRAWN	DH	10/5/1987	TS	10/5/1987
2	23573	UPDATED & REDRAWN	TonyD	3/2/2015		



LOCATOR	
HOLE DIMENSIONS	ADDITIONAL FEATURES
Ø.172 ▽THRU	└┘Ø.218 ▽.070

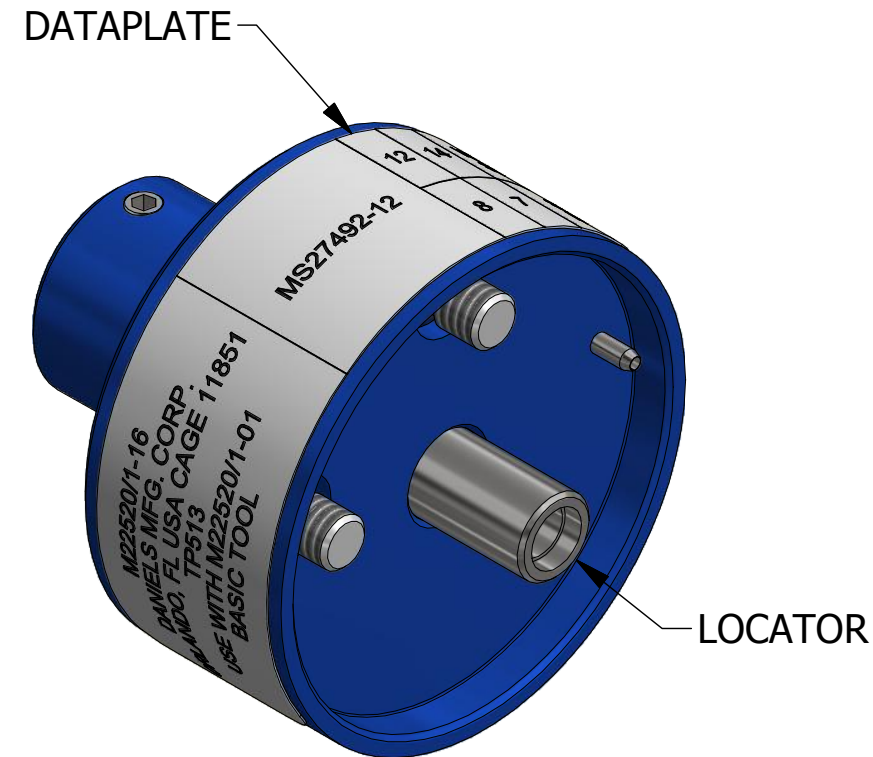
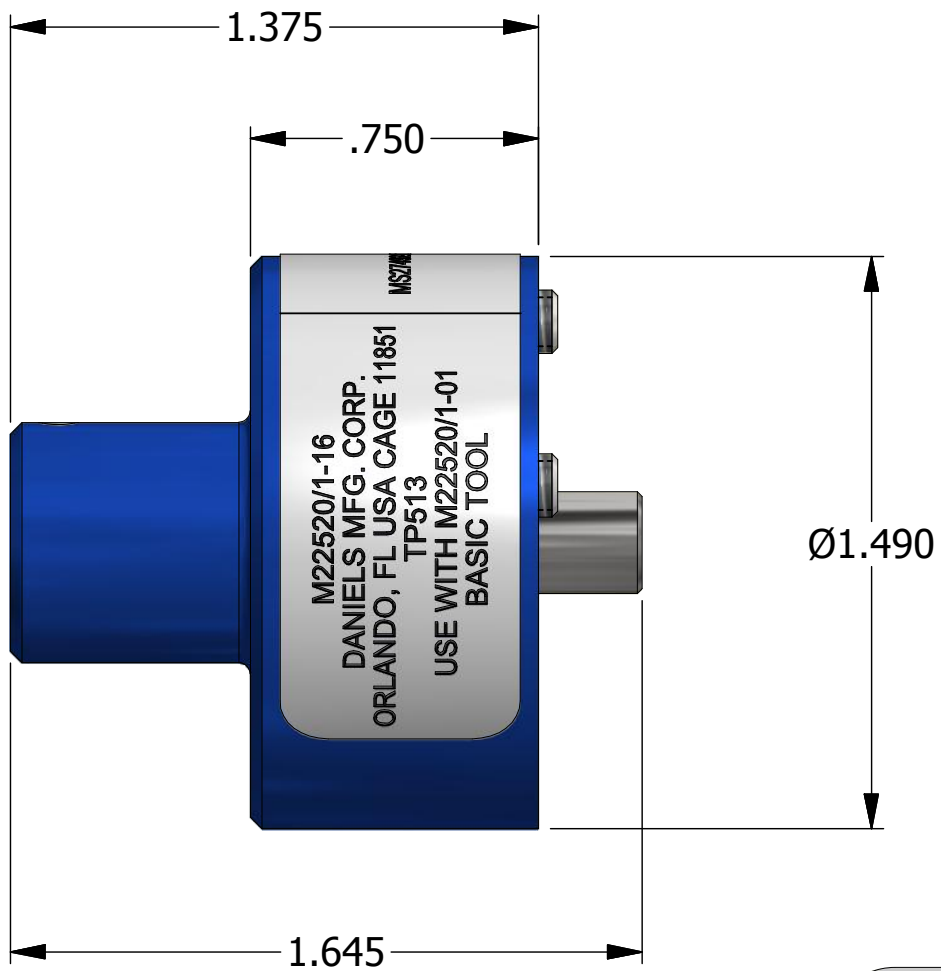
M22520/1-11 DANIELS MFG. CORP. ORLANDO, FL USA CAGE 11851 TP465 USE WITH M22520/1-01 BASIC TOOL	M39029/11-12-12	12	14	WIRE SIZE
	M39029/12-12-12	8	7	SEL NO.

DATAPLATE

**UNCONTROLLED DOCUMENT
WILL NOT BE UPDATED**
DIMENSIONS IN INCHES - UNLESS OTHERWISE SPECIFIED

MATERIAL	ITEM	PART NO.	QTY.	DESCRIPTION / REMARKS
N/A	DRN. DH CHK'D. DATE	DATE 10/5/1987 DATE		DMC DANIELS MANUFACTURING CORP. ORLANDO, FLORIDA CAGE 11851
RESTRICTED & CONFIDENTIAL CONFIDENTIAL PROPERTY OF DANIELS MANUFACTURING CORP. NOT TO BE DISCLOSED TO OTHERS. REPRODUCTION OR USED FOR ANY OTHER PURPOSE EXCEPT AS AUTHORIZED IN WRITING BY DANIELS MANUFACTURING. MUST BE RETURNED TO DANIELS MANUFACTURING CORP. ON COMPLETION OF ORDER OR PURPOSES FOR WHICH LENT.	HEAT TREAT	N/A		NOTE: THIS DRAWING IS AN OUTLINE DRAWING OF THE RESPECTIVE DMC PART NUMBER INDICATED. ACTUAL DMC PART NUMBER IS CAD PART NUMBER WITHOUT THE "-ENV" SUFFIX
CREATED FROM AN INVENTOR MODEL. CHANGES MUST BE REFLECTED IN THE 3D PART	FINISH	N/A		TITLE SINGLE POSITION HEAD (M22520/1-11) ENVELOPE DRAWING WHERE USED: AF8
DO NOT SCALE DRAWING				SIZE B SCALE 2:1 CAD P/N TP465-ENV SHEET 1 OF 1 DWG. NO. TP465 REV. 2

REVISIONS						
REV	ECO NO.	DESCRIPTION	BY	DATE	APP'D BY	DATE
1		ORIGINAL RELEASE	AAM	6/23/1999	RRR	6/23/1999
2	23573	UPDATED & REDRAWN	TonyD	4/1/2015		



LOCATOR	
HOLE DIMENSIONS	ADDITIONAL FEATURES
Ø.165 ▽.375	└┐Ø.185 ▽.060

M22520/1-16 DANIELS MFG. CORP. ORLANDO, FL USA CAGE 11851 TP513 USE WITH M22520/1-01 BASIC TOOL	MS27492-12	12	14	WIRE SIZE
		8	7	SEL NO.

DATAPLATE

**UNCONTROLLED DOCUMENT
WILL NOT BE UPDATED**
DIMENSIONS IN INCHES - UNLESS OTHERWISE SPECIFIED

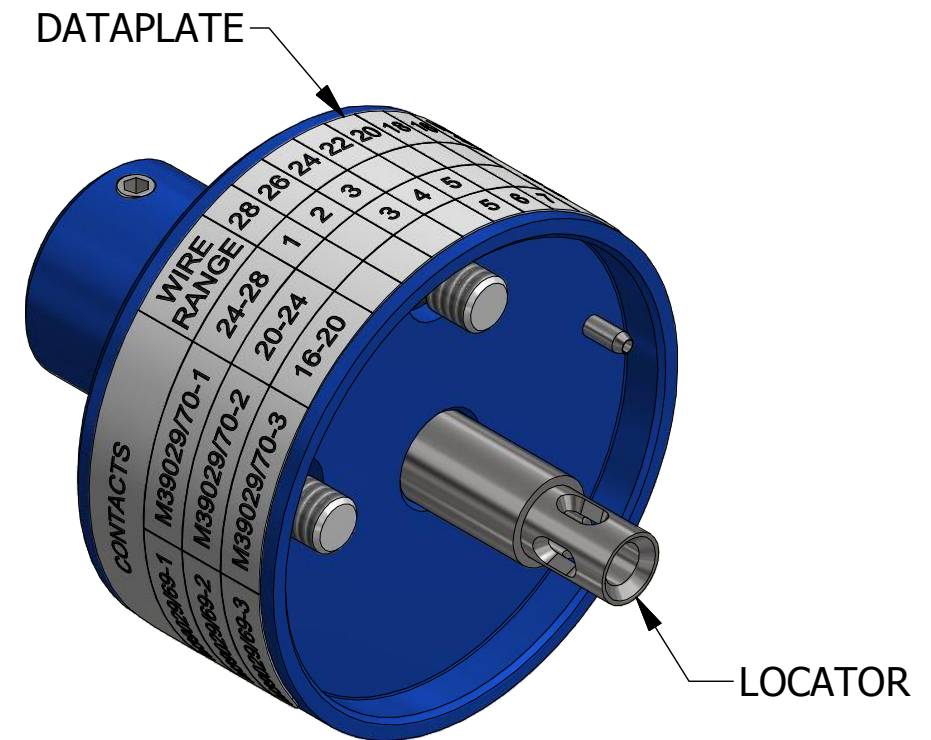
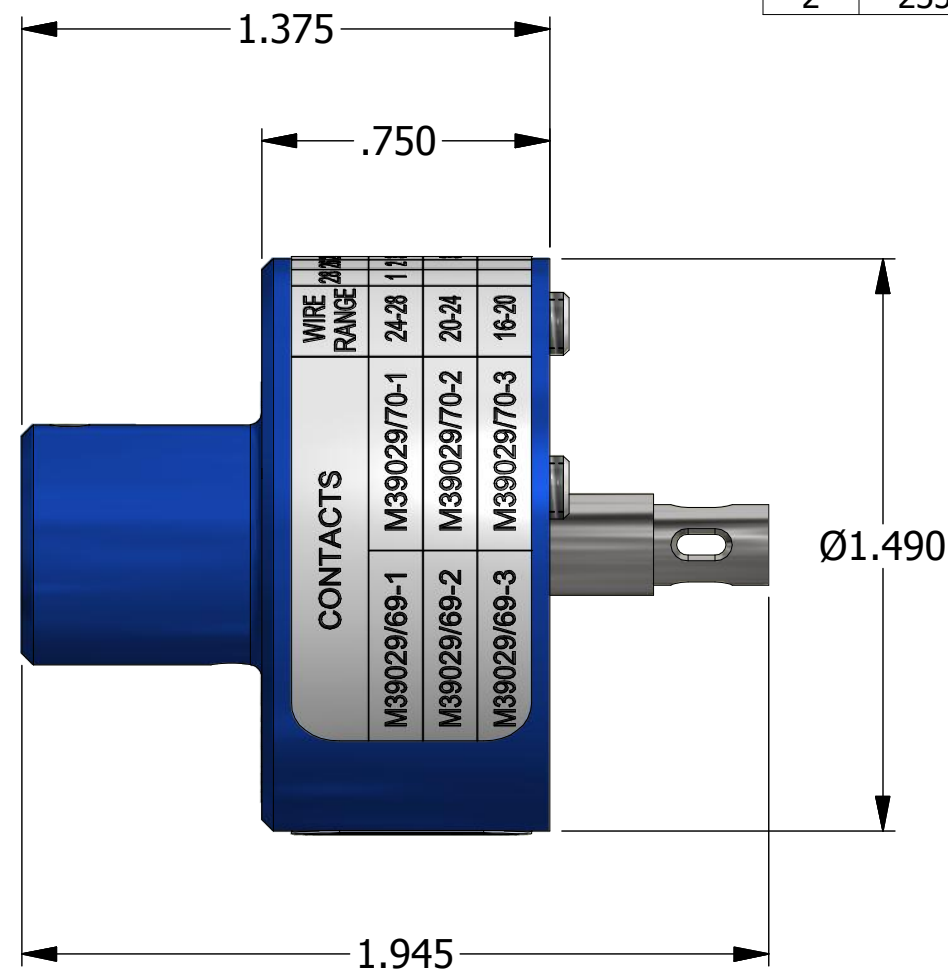
RESTRICTED & CONFIDENTIAL
CONFIDENTIAL PROPERTY OF DANIELS MANUFACTURING CORP. NOT TO BE DISCLOSED TO OTHERS. REPRODUCTION OR USED FOR ANY OTHER PURPOSE EXCEPT AS AUTHORIZED IN WRITING BY DANIELS MANUFACTURING. MUST BE RETURNED TO DANIELS MANUFACTURING CORP. ON COMPLETION OF ORDER OR PURPOSES FOR WHICH LENT.

CREATED FROM AN INVENTOR MODEL.
CHANGES MUST BE REFLECTED IN THE 3D PART

DO NOT SCALE DRAWING

MATERIAL	ITEM	PART NO.	QTY.	DESCRIPTION / REMARKS
N/A	DRN. A. MOO-YOUNG CHK'D.	DATE 6/23/1999 DATE		DMC DANIELS MANUFACTURING CORP. ORLANDO, FLORIDA CAGE 11851
HEAT TREAT	N/A	NOTE: THIS DRAWING IS AN OUTLINE DRAWING OF THE RESPECTIVE DMC PART NUMBER INDICATED. ACTUAL DMC PART NUMBER IS CAD PART NUMBER WITHOUT THE "-ENV" SUFFIX		TITLE SINGLE POSITION HEAD (M22520/1-16) ENVELOPE DRAWING WHERE USED: AF8
FINISH	N/A		SIZE B	SCALE 2 : 1 CAD P/N TP513-ENV SHEET 1 OF 1 DWG. NO. TP513 REV. 2

REVISIONS						
REV	ECO NO.	DESCRIPTION	BY	DATE	APP'D BY	DATE
1		ORIGINAL RELEASE	TS	9/17/1987	MGS	9/17/1987
2	23573	UPDATED & REDRAWN	TonyD	4/3/2015		



LOCATOR	
HOLE DIMENSIONS	ADDITIONAL FEATURES
Ø.078 ▽.786	└┘Ø.125 ▽.761

CONTACTS		WIRE RANGE	28	26	24	22	20	18	16	WIRE SIZE
M39029/69-1	M39029/70-1	24-28	1	2	3					SEL NO.
M39029/69-2	M39029/70-2	20-24			3	4	5			
M39029/69-3	M39029/70-3	16-20					5	6	7	

DATAPLATE

MATERIAL	ITEM	PART NO.	QTY.	DESCRIPTION / REMARKS
N/A	DRN. TS CHK'D. DATE	DATE 9/17/1987		DANIELS MANUFACTURING CORP. ORLANDO, FLORIDA CAGE 11851 NOTE: THIS DRAWING IS AN OUTLINE DRAWING OF THE RESPECTIVE DMC PART NUMBER INDICATED. ACTUAL DMC PART NUMBER IS CAD PART NUMBER WITHOUT THE "-ENV" SUFFIX TITLE: SINGLE POSITION HEAD (M22520/1-17) ENVELOPE DRAWING WHERE USED: AF8 SIZE: B SCALE: 2:1 SHEET: 1 OF 1 DWG. NO. TP651 REV. 2
HEAT TREAT	N/A			
FINISH	N/A			

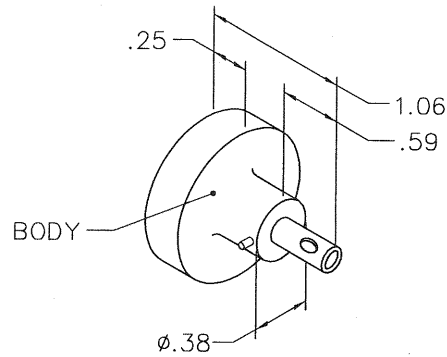
**UNCONTROLLED DOCUMENT
WILL NOT BE UPDATED**
DIMENSIONS IN INCHES - UNLESS OTHERWISE SPECIFIED

RESTRICTED & CONFIDENTIAL
CONFIDENTIAL PROPERTY OF DANIELS MANUFACTURING CORP. NOT TO BE DISCLOSED TO OTHERS. REPRODUCTION OR USED FOR ANY OTHER PURPOSE EXCEPT AS AUTHORIZED IN WRITING BY DANIELS MANUFACTURING. MUST BE RETURNED TO DANIELS MANUFACTURING CORP. ON COMPLETION OF ORDER OR PURPOSES FOR WHICH LENT.

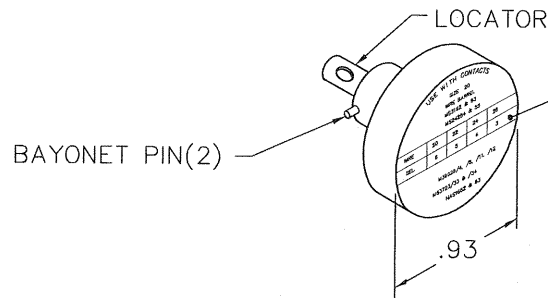
 CREATED FROM AN INVENTOR MODEL.
CHANGES MUST BE REFLECTED IN THE 3D PART

 DO NOT SCALE DRAWING

REVISIONS				
REV. SYM.	E.C.O. NUMBER	DESCRIPTION	BY DATE	APP'D DATE
2		ADDED CHART	JWJ 4/18/03	RRR 4/18/03
3		THRU WAS .800	TD 3/18/11	



NOTE: FOR USE WITH DANIELS CRIMP TOOLS
ACCOMMODATING "86" SERIES POSITIONERS



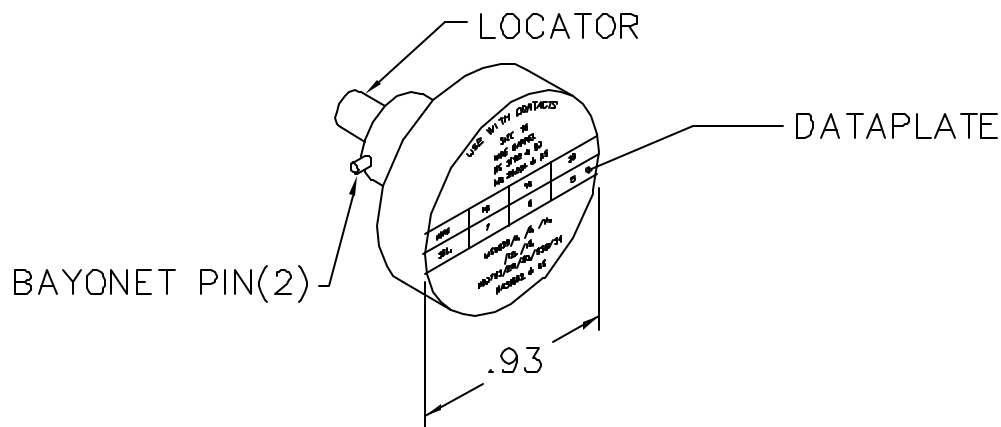
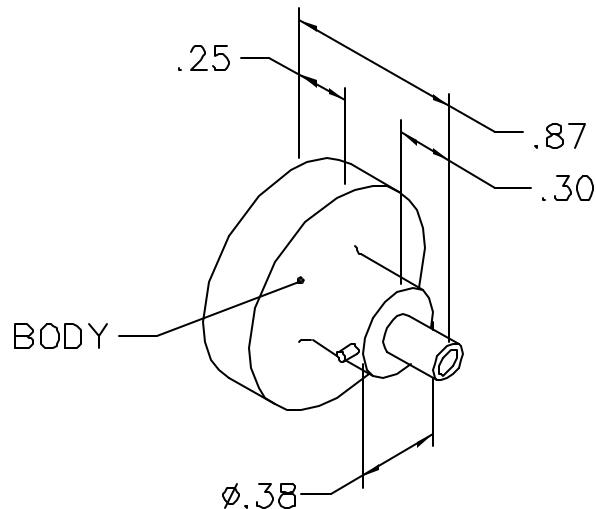
USE WITH CONTACTS				
SIZE 20 WIRE BARREL				
MS3192 & 93				
MS24254 & 55				
WIRE	20	22	24	26
SEL	6	5	4	3
M39029/4, /5, /11, /12				
M83723/33 & /34				
NAS1662 & 63				

LOCATOR	
HOLE DIMENSIONS	ADDITIONAL FEATURES
∅.081 ∇THRU	∏ ∅.107 ∇.310

RESTRICTED & CONFIDENTIAL		MATERIAL	ITEM	PART NO.	QTY.	DESCRIPTION/REMARKS
CONFIDENTIAL PROPERTY OF DANIELS MANUFACTURING CORP. NOT TO BE DISCLOSED TO OTHERS, REPRODUCED OR USED FOR ANY OTHER PURPOSE, EXCEPT AS AUTHORIZED IN WRITING BY DANIELS MANUFACTURING. MUST BE RETURNED TO DANIELS MANUFACTURING CORP. ON COMPLETION OF ORDER OR OTHER PURPOSE FOR WHICH SENT.		HEAT TREAT	DRN.	J. JOYCE	DATE	12/28/99
			CHK'D.	RRR	DATE	12/28/99
			APP'D.		DATE	
			APP'D.		DATE	
DO NOT SCALE DRAWING		FINISH	NOTE:			
			THIS DRAWING IS AN OUTLINE DRAWING OF THE RESPECTIVE DMC PART NUMBER INDICATED. ACTUAL DMC PART NUMBER IS DRAWING NUMBER WITHOUT THE "-ENV" SUFFIX.			
			WHERE USED: (M22520/7-02)			
			SIZE	SCALE	CAD P/N	SHEET
B	NTS	86-1S-ENV	1	1		
		POSTING		DWG. NO.	REV.	
				86-1S-ENV	3	

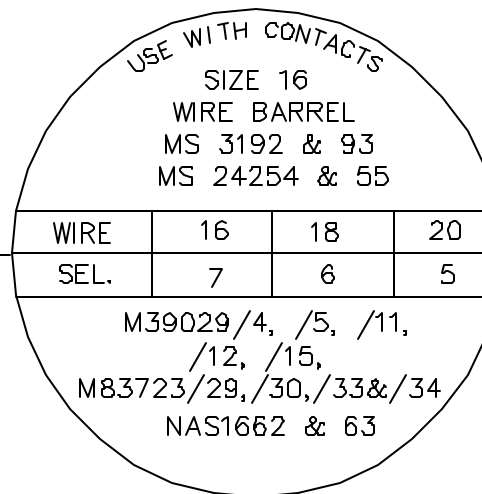
DMC DANIELS MANUFACTURING CORP.
ORLANDO, FLORIDA
CAGE 11851

TITLE
ENVELOPE DRAWING
POSITIONER



REVISIONS				
REV. SYM.	E.C.O. NUMBER	DESCRIPTION	BY DATE	APP'D DATE
1		ORIGINAL RELEASE	DUNG CAO 8-18-95	DD 8-18-95

**UNCONTROLLED DOCUMENT
WILL NOT BE UPDATED**



NOTE: FOR USE WITH DANIELS MH860 CRIMP TOOL.

LOCATOR	
HOLE DIMENSIONS	ADDITIONAL FEATURES
ϕ .125 ∇ .52 MIN.	\square ϕ .156 ∇ .100

RESTRICTED & CONFIDENTIAL

CONFIDENTIAL PROPERTY OF DANIELS MANUFACTURING CORP. NOT TO BE DISCLOSED TO OTHERS, REPRODUCED OR USED FOR ANY OTHER PURPOSE, EXCEPT AS AUTHORIZED IN WRITING BY DANIELS MANUFACTURING.

MUST BE RETURNED TO DANIELS MANUFACTURING CORP. ON COMPLETION OF ORDER OR OTHER PURPOSE FOR WHICH LENT.

DO NOT SCALE DRAWING

DRN. DUNG CAO	DATE 8-18-95
CHK'D. DD	DATE 8-18-95
APP'D.	DATE
APP'D.	DATE



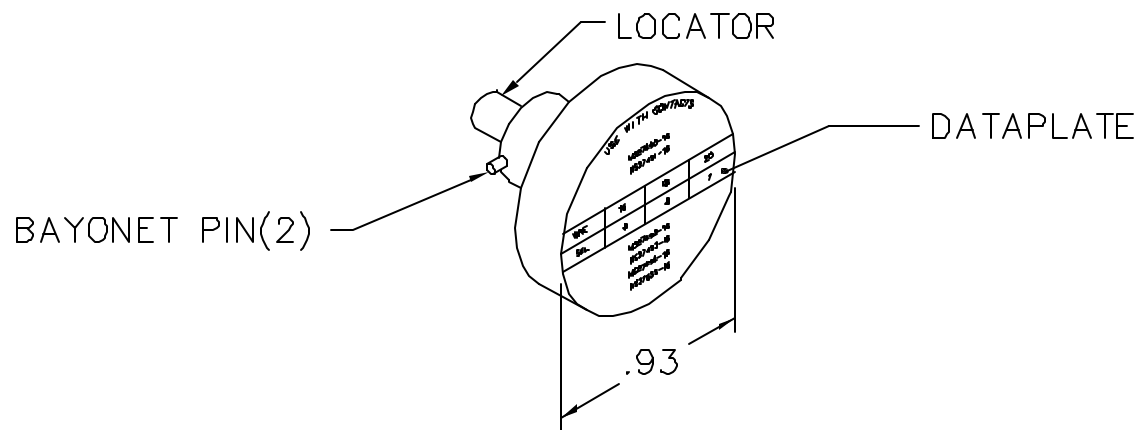
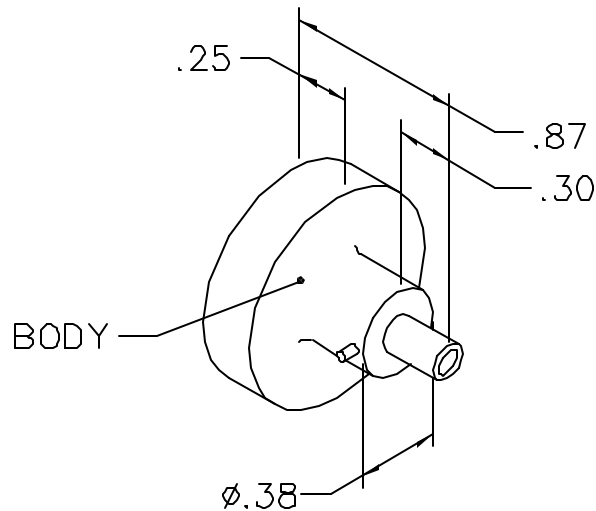
DANIELS MANUFACTURING CORP.
ORLANDO, FLORIDA
CAGE 11851

TITLE
**ENVELOPE DRAWING
POSITIONER (M22520/7-03)**

WHERE USED: MH860

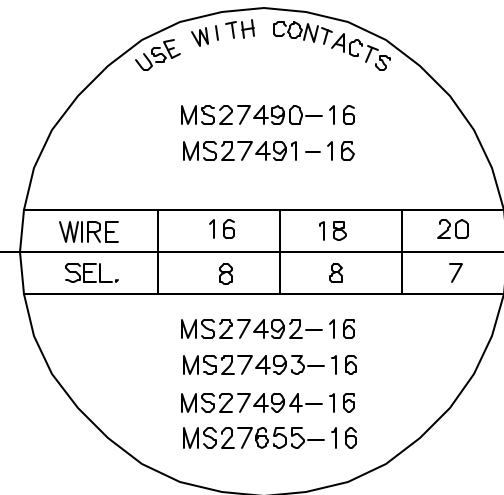
SIZE A	SCALE NTS	CAD P/N 86-2-ENV	SHEET 1 OF 1
--------	-----------	------------------	--------------

POSTING	P/N 86-2-ENV	REV. 1
---------	--------------	--------



REVISIONS				
REV. SYM.	E.C.O. NUMBER	DESCRIPTION	BY DATE	APP'D DATE
1		ORIGINAL RELEASE	DUNG CAO 8-18-95	DD 8-18-95

**UNCONTROLLED DOCUMENT
WILL NOT BE UPDATED**



NOTE: FOR USE WITH DANIELS MH860 CRIMP TOOL.

LOCATOR	
HOLE DIMENSIONS	ADDITIONAL FEATURES
$\phi .116$ $\nabla .52$ MIN.	$\phi .140$ $\nabla .070$

RESTRICTED & CONFIDENTIAL

CONFIDENTIAL PROPERTY OF DANIELS MANUFACTURING CORP. NOT TO BE DISCLOSED TO OTHERS, REPRODUCED OR USED FOR ANY OTHER PURPOSE, EXCEPT AS AUTHORIZED IN WRITING BY DANIELS MANUFACTURING. MUST BE RETURNED TO DANIELS MANUFACTURING CORP. ON COMPLETION OF ORDER OR OTHER PURPOSE FOR WHICH LENT.

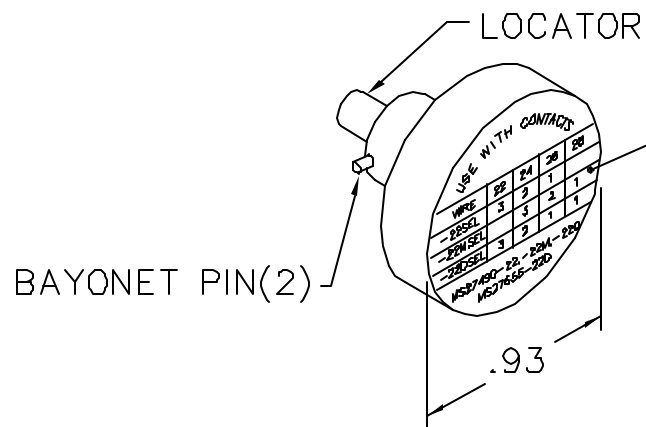
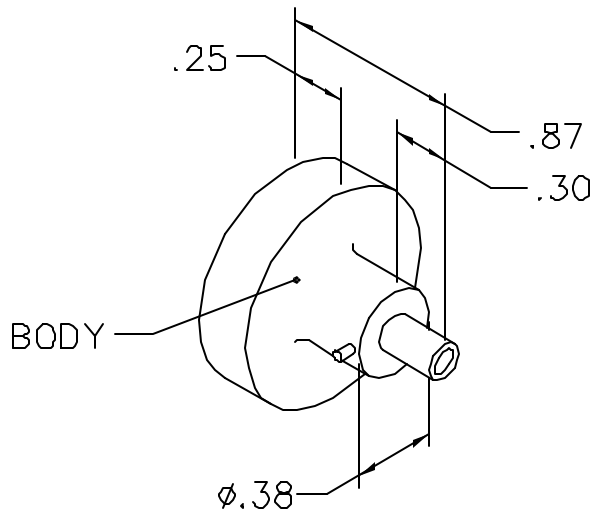
DO NOT SCALE DRAWING

DRN. DUNG CAO	DATE 8-18-95
CHK'D. DD	DATE 8-18-95
APP'D.	DATE
APP'D.	DATE



DANIELS MANUFACTURING CORP.
ORLANDO, FLORIDA
CAGE 11851

TITLE ENVELOPE DRAWING POSITIONER (M22520/7-04)			
WHERE USED: MH860			
SIZE A	SCALE NTS	CAD P/N 86-3-ENV	SHEET 1 OF 1
POSTING	P/N 86-3-ENV		REV. 1



REVISIONS				
REV. SYM.	E.C.O. NUMBER	DESCRIPTION	BY DATE	APP'D DATE
1		ORIGINAL RELEASE	DUNG CAD 8-18-95	DD 8-18-95

**UNCONTROLLED DOCUMENT
WILL NOT BE UPDATED**

USE WITH CONTACTS				
WIRE	22	24	26	28
-22SEL	3	2	1	
-22MSEL		3	2	1
-22DSEL	3	2	1	1
MS27490-22,-22M,-22D MS27655-22D				

NOTE: FOR USE WITH DANIELS CRIMP TOOLS
ACCOMMODATING "86" SERIES POSITIONERS

LOCATOR	
HOLE DIMENSIONS	ADDITIONAL FEATURES
ϕ .073 ∇ .675	/

RESTRICTED & CONFIDENTIAL

CONFIDENTIAL PROPERTY OF DANIELS MANUFACTURING CORP. NOT TO BE DISCLOSED TO OTHERS, REPRODUCED OR USED FOR ANY OTHER PURPOSE, EXCEPT AS AUTHORIZED IN WRITING BY DANIELS MANUFACTURING.

MUST BE RETURNED TO DANIELS MANUFACTURING CORP. ON COMPLETION OF ORDER OR OTHER PURPOSE FOR WHICH LENT.

DO NOT SCALE DRAWING

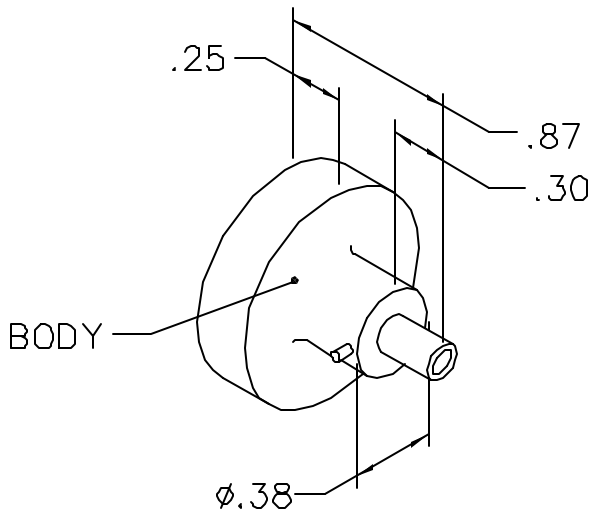
DRN.	DUNG CAD	DATE	8-18-95
CHK'D.	DD	DATE	8-18-95
APP'D.		DATE	
APP'D.		DATE	

DANIELS MANUFACTURING CORP.
ORLANDO, FLORIDA
CAGE 11851

TITLE
**ENVELOPE DRAWING
POSITIONER (M22520/7-05)**

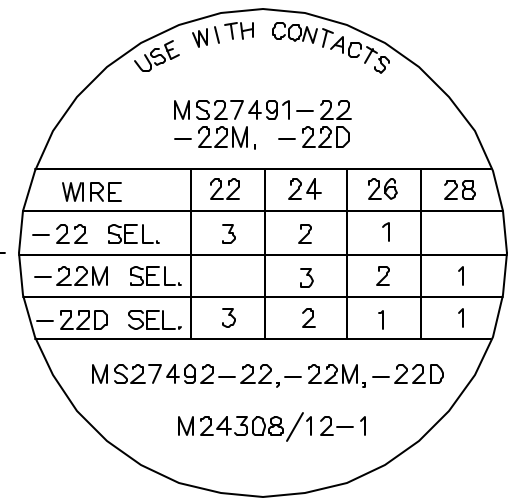
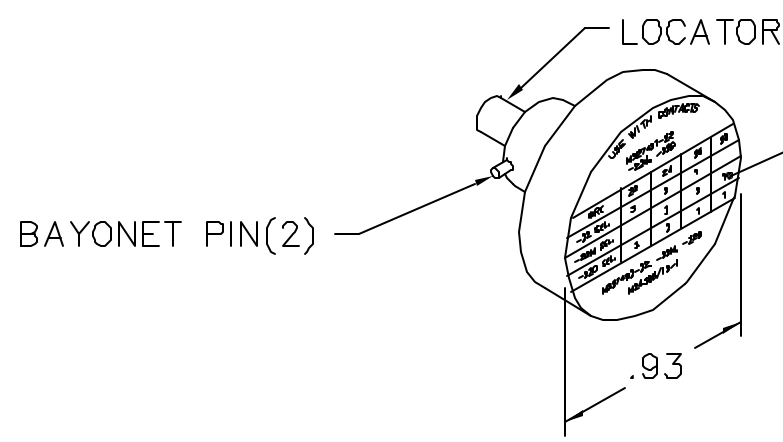
WHERE USED: MHB60

SIZE	SCALE	GAD P/N	SHEET	OF
A	NTS	86-4-ENV	1	1
POSTING	P/N		REV.	
	86-4-ENV		1	



REVISIONS				
REV. SYM.	E.C.O. NUMBER	DESCRIPTION	BY DATE	APP'D DATE
2		CORRECTED MIL. NUMBER	JWJ 7/12/05	RRR 7-12-05

**UNCONTROLLED DOCUMENT
WILL NOT BE UPDATED**



NOTE: FOR USE WITH DANIELS MH860 CRIMP TOOL.

LOCATOR	
HOLE DIMENSIONS	ADDITIONAL FEATURES
ϕ .073 ∇ .348	/

RESTRICTED & CONFIDENTIAL

CONFIDENTIAL PROPERTY OF DANIELS MANUFACTURING CORP. NOT TO BE DISCLOSED TO OTHERS, REPRODUCED OR USED FOR ANY OTHER PURPOSE, EXCEPT AS AUTHORIZED IN WRITING BY DANIELS MANUFACTURING.

MUST BE RETURNED TO DANIELS MANUFACTURING CORP. ON COMPLETION OF ORDER OR OTHER PURPOSE FOR WHICH LENT.

DO NOT SCALE DRAWING

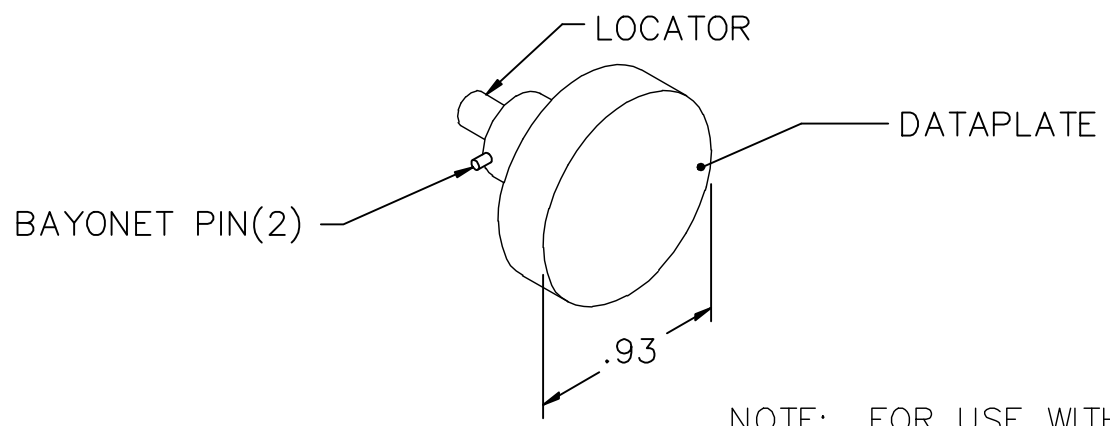
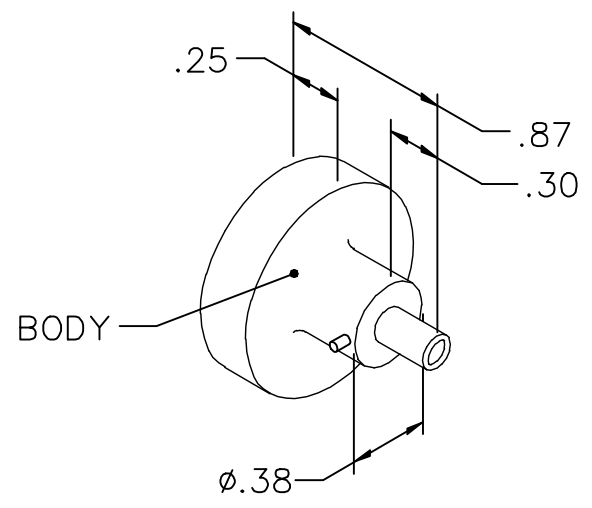
DRN.	E. D.	DATE
CHK'D.	D. D.	DATE
APP'D.		DATE
APP'D.		DATE
NOTE:		
THIS DRAWING IS AN OUTLINE DRAWING OF THE RESPECTIVE DMC PART NUMBER INDICATED. ACTUAL DMC PART NUMBER IS DRAWING NUMBER WITHOUT THE "-ENV" SUFFIX.		

DANIELS MANUFACTURING CORP.
 ORLANDO, FLORIDA
 CAGE 11851

TITLE			
ENVELOPE DRAWING POSITIONER (M22520/7-06)			
WHERE USED: MH860			
SIZE	SCALE	GAD P/N	SHEET OF
A	NTS	86-5-ENV	1 1
POSTING	DWG. NO.		REV.
	86-5-ENV		2

REVISIONS				
REV. SYM.	E.C.O. NUMBER	DESCRIPTION	BY DATE	APP'D DATE
1		ORIGINAL RELEASE	DUNG CAO 8-18-95	DD 8-18-95

**UNCONTROLLED DOCUMENT
WILL NOT BE UPDATED**



USE WITH CONTACTS					
WIRE	22	24	26	28	
-22 SEL.	3	2	1		
-22M SEL.		3	2	1	
-22D SEL.	3	2	1	1	
MS27493-22,-22M,-22D					
MS27494-22,-22M,-22D					
M24308/13-1					

NOTE: FOR USE WITH DANIELS MH860 CRIMP TOOL.

LOCATOR	
HOLE DIMENSIONS	ADDITIONAL FEATURES
$\phi.033$ ↓.69 MIN.	$\phi.078$ ↓.095

RESTRICTED & CONFIDENTIAL

CONFIDENTIAL PROPERTY OF DANIELS MANUFACTURING CORP. NOT TO BE DISCLOSED TO OTHERS, REPRODUCED OR USED FOR ANY OTHER PURPOSE, EXCEPT AS AUTHORIZED IN WRITING BY DANIELS MANUFACTURING. MUST BE RETURNED TO DANIELS MANUFACTURING CORP. ON COMPLETION OF ORDER OR OTHER PURPOSE FOR WHICH LENT.

DRN. DUNG CAO	DATE 8-18-95
CHK'D. DD	DATE 8-18-95
APP'D.	DATE
APP'D.	DATE
NOTE: THIS DRAWING IS AN OUTLINE DRAWING OF THE RESPECTIVE DMC PART NUMBER INDICATED. ACTUAL DMC PART NUMBER IS DRAWING NUMBER WITHOUT THE "-ENV" SUFFIX.	

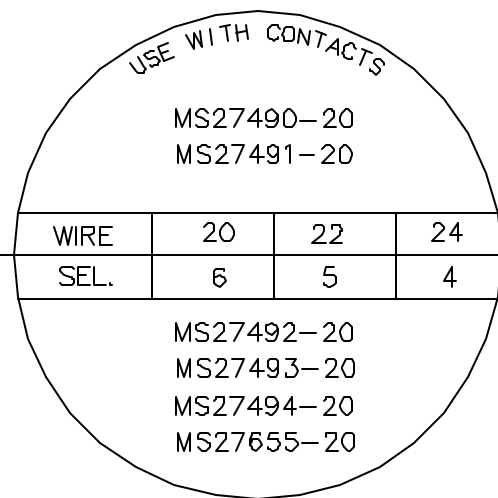
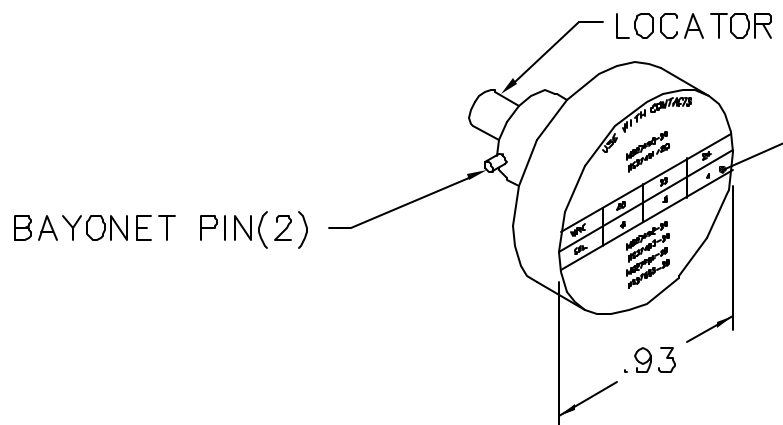
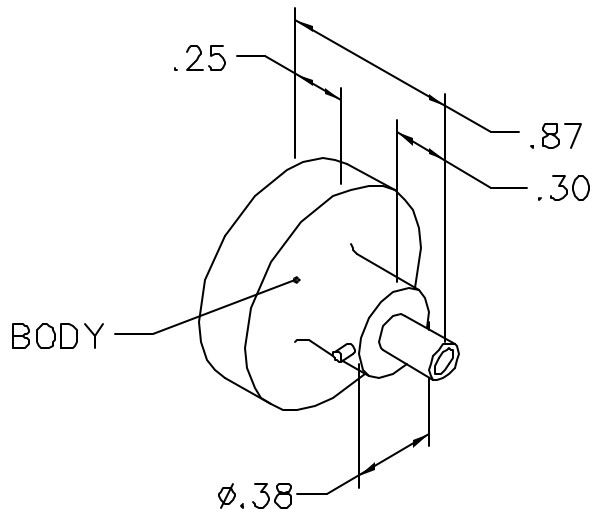
DANIELS MANUFACTURING CORP.
ORLANDO, FLORIDA
CAGE 11851

TITLE ENVELOPE DRAWING POSITIONER (M22520/7-07)			
WHERE USED: MH860			
SIZE A	SCALE NTS	CAD P/N 86-6-ENV	SHEET 1 OF 1
POSTING		DWG. NO. 86-6-ENV	REV. 1

DO NOT SCALE DRAWING

REVISIONS				
REV. SYM.	E.C.O. NUMBER	DESCRIPTION	BY DATE	APP'D DATE
1		ORIGINAL RELEASE	DUNG CAO 8-18-95	DD 8-18-95

**UNCONTROLLED DOCUMENT
WILL NOT BE UPDATED**



NOTE: FOR USE WITH DANIELS MH860 CRIMP TOOL.

LOCATOR	
HOLE DIMENSIONS	ADDITIONAL FEATURES
$\phi.081$ $\nabla .69$ MIN.	$\sqcap \phi.098$ $\nabla .065$

RESTRICTED & CONFIDENTIAL

CONFIDENTIAL PROPERTY OF DANIELS MANUFACTURING CORP. NOT TO BE DISCLOSED TO OTHERS, REPRODUCED OR USED FOR ANY OTHER PURPOSE, EXCEPT AS AUTHORIZED IN WRITING BY DANIELS MANUFACTURING. MUST BE RETURNED TO DANIELS MANUFACTURING CORP. ON COMPLETION OF ORDER OR OTHER PURPOSE FOR WHICH LENT.

DO NOT SCALE DRAWING

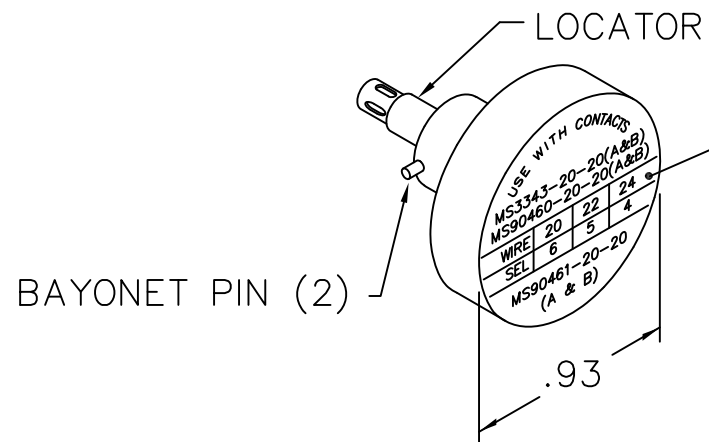
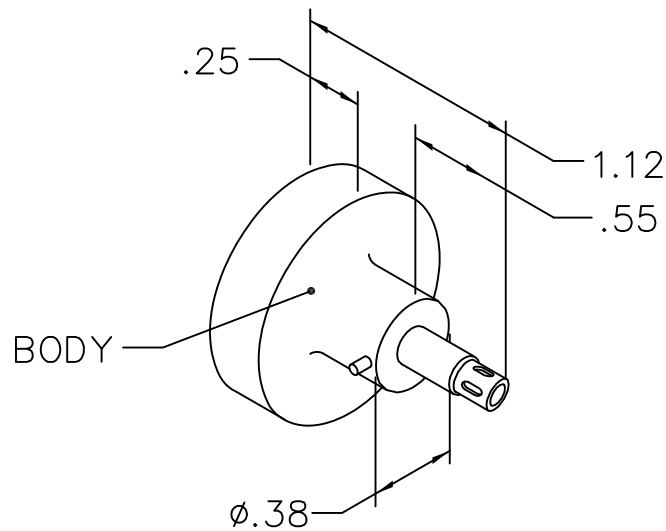
DRN. DUNG CAO	DATE 8-18-95
CHK'D. DD	DATE 8-18-95
APP'D.	DATE
APP'D.	DATE

DANIELS MANUFACTURING CORP.
ORLANDO, FLORIDA
CAGE 11851

TITLE
**ENVELOPE DRAWING
POSITIONER (M22520/7-08)**

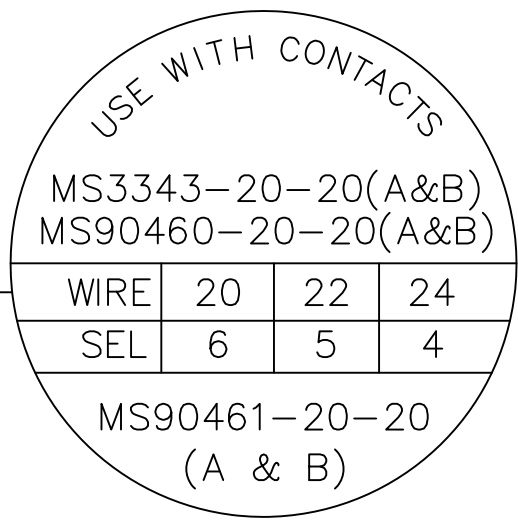
WHERE USED: MH860

SIZE A	SCALE NONE	CAD P/N 86-7-ENV	SHEET OF 1 1
POSTING	P/N 86-7-ENV		REV. 1



REVISIONS				
REV. SYM.	E.C.O. NUMBER	DESCRIPTION	BY DATE	APP'D DATE
2		DEPTH WAS .83	JWJ 3/5/07	RRR 3/5/07

**UNCONTROLLED DOCUMENT
WILL NOT BE UPDATED**



NOTE: FOR USE WITH DANIELS CRIMP TOOLS
ACCOMMODATING "86" SERIES POSITIONERS

LOCATOR	
HOLE DIMENSIONS	ADDITIONAL FEATURES
ϕ .082 ∇ .77 MIN.	\perp ϕ .104 ∇ .083

RESTRICTED & CONFIDENTIAL

CONFIDENTIAL PROPERTY OF DANIELS MANUFACTURING CORP. NOT TO BE DISCLOSED TO OTHERS, REPRODUCED OR USED FOR ANY OTHER PURPOSE, EXCEPT AS AUTHORIZED IN WRITING BY DANIELS MANUFACTURING. MUST BE RETURNED TO DANIELS MANUFACTURING CORP. ON COMPLETION OF ORDER OR OTHER PURPOSE FOR WHICH LENT.

DO NOT SCALE DRAWING

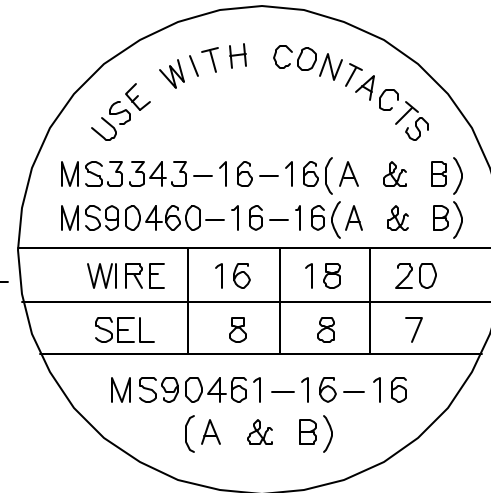
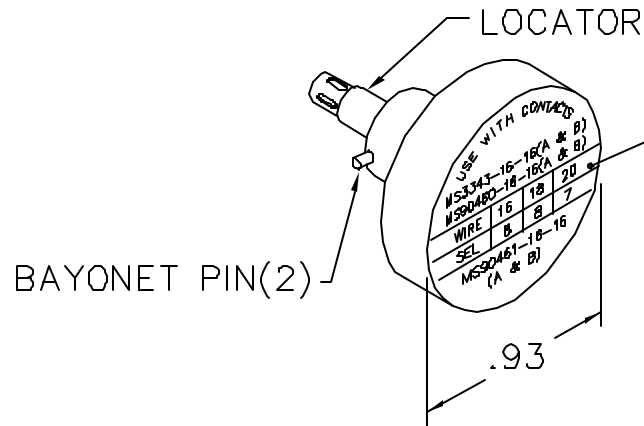
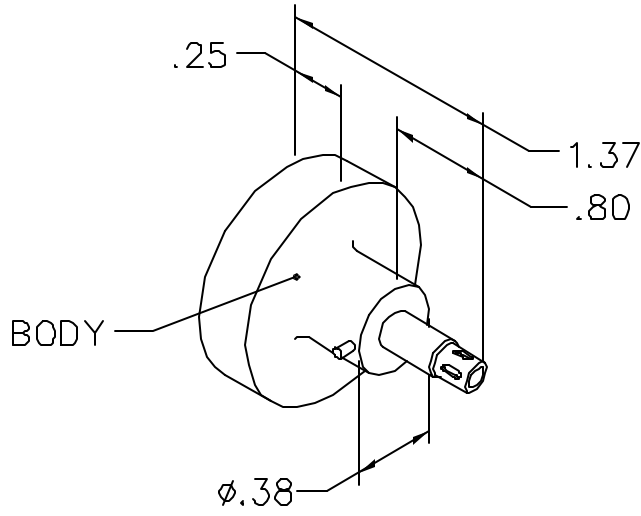
DRN. A. MOO-YOUNG	DATE 12-15-97
CHK'D. RRR	DATE 12-15-97
APP'D.	DATE
APP'D.	DATE
NOTE: THIS DRAWING IS AN OUTLINE DRAWING OF THE RESPECTIVE DMC PART NUMBER INDICATED. ACTUAL DMC PART NUMBER IS DRAWING NUMBER WITHOUT THE "-ENV" SUFFIX.	

DANIELS MANUFACTURING CORP.
ORLANDO, FLORIDA
CAGE 11851

TITLE ENVELOPE DRAWING POSITIONER			
WHERE USED: MH860			
SIZE A	SCALE NTS	CAD P/N 86-11S-ENV	SHEET OF 1 OF 1
POSTING		DWG. NO. 86-11S-ENV	REV. 2

REVISIONS				
REV. SYM.	E.C.O. NUMBER	DESCRIPTION	BY DATE	APP'D DATE
1		ORIGINAL RELEASE	AAM 11-28-01	RRR 11-28-01

**UNCONTROLLED DOCUMENT
WILL NOT BE UPDATED**



NOTE: FOR USE WITH DANIELS CRIMP TOOLS
ACCOMMODATING "86" SERIES POSITIONERS

LOCATOR	
HOLE DIMENSIONS	ADDITIONAL FEATURES
Ø.114 ▽.77 MIN.	Ø.134 ▽.079

RESTRICTED & CONFIDENTIAL

CONFIDENTIAL PROPERTY OF DANIELS MANUFACTURING CORP. NOT TO BE DISCLOSED TO OTHERS, REPRODUCED OR USED FOR ANY OTHER PURPOSE, EXCEPT AS AUTHORIZED IN WRITING BY DANIELS MANUFACTURING.
MUST BE RETURNED TO DANIELS MANUFACTURING CORP. ON COMPLETION OF ORDER OR OTHER PURPOSE FOR WHICH LENT.

DO NOT SCALE DRAWING

DRN. A. MOO-YOUNG	DATE 11-28-01
CHK'D. RRR	DATE 11-28-01
APP'D.	DATE
APP'D.	DATE

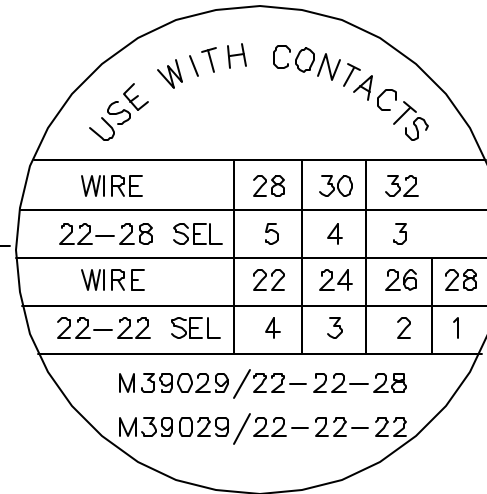
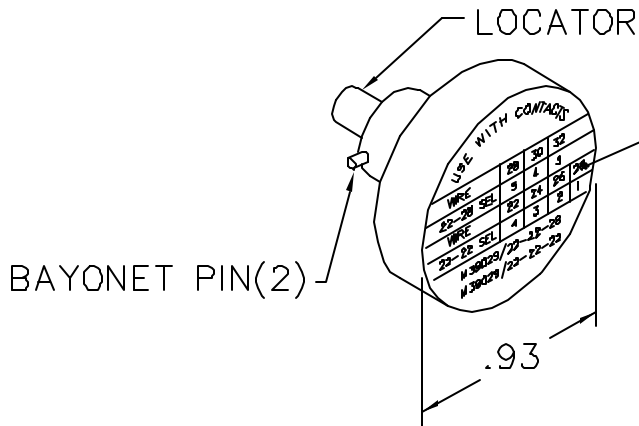
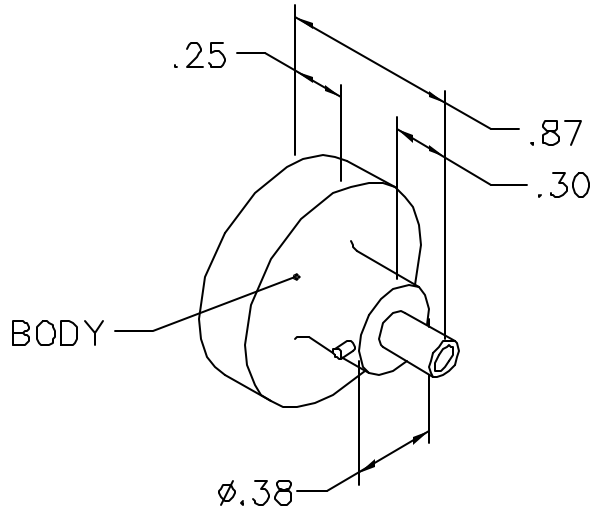


DANIELS MANUFACTURING CORP.
ORLANDO, FLORIDA
CAGE 11851

TITLE ENVELOPE DRAWING POSITIONER			
WHERE USED: MH860			
SIZE A	SCALE NTS	GAD P/N 86-12S-ENV	SHEET 1 OF 1
POSTING	P/N 86-12S-ENV		REV. 1

REVISIONS				
REV. SYM.	E.C.O. NUMBER	DESCRIPTION	BY DATE	APP'D DATE
2		REDRAWN	AAM 11-9-99	RRR 11-9-99

**UNCONTROLLED DOCUMENT
WILL NOT BE UPDATED**



NOTE: FOR USE WITH DANIELS MH860 CRIMP TOOL.

LOCATOR	
HOLE DIMENSIONS	ADDITIONAL FEATURES
ϕ .065 ∇ .156	/

RESTRICTED & CONFIDENTIAL

CONFIDENTIAL PROPERTY OF DANIELS MANUFACTURING CORP. NOT TO BE DISCLOSED TO OTHERS, REPRODUCED OR USED FOR ANY OTHER PURPOSE, EXCEPT AS AUTHORIZED IN WRITING BY DANIELS MANUFACTURING.

MUST BE RETURNED TO DANIELS MANUFACTURING CORP. ON COMPLETION OF ORDER OR OTHER PURPOSE FOR WHICH LENT.

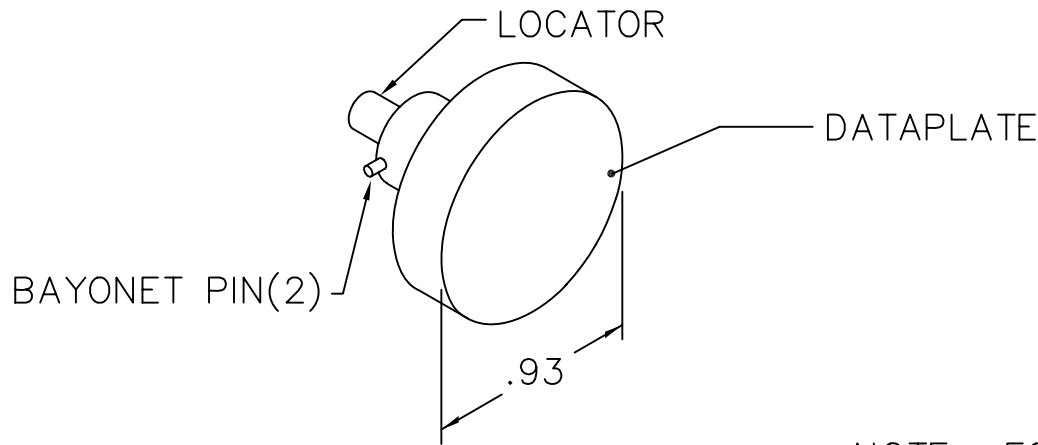
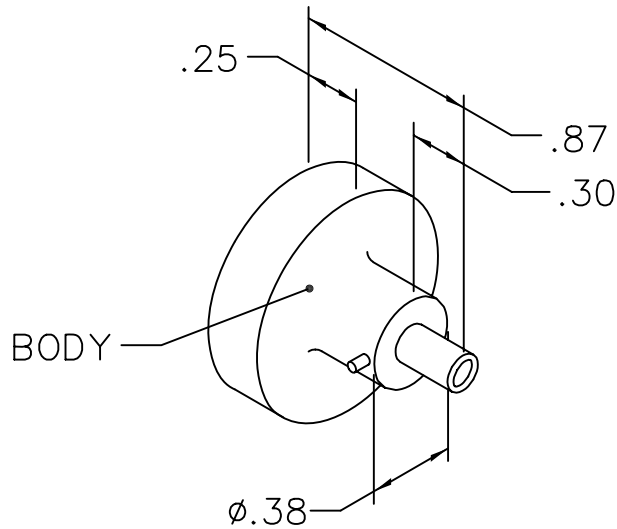
DO NOT SCALE DRAWING

DRN.	ASM	DATE	12-17-87
CHK'D.	TS	DATE	12-17-87
APP'D.	AAM	DATE	12-18-87
APP'D.		DATE	



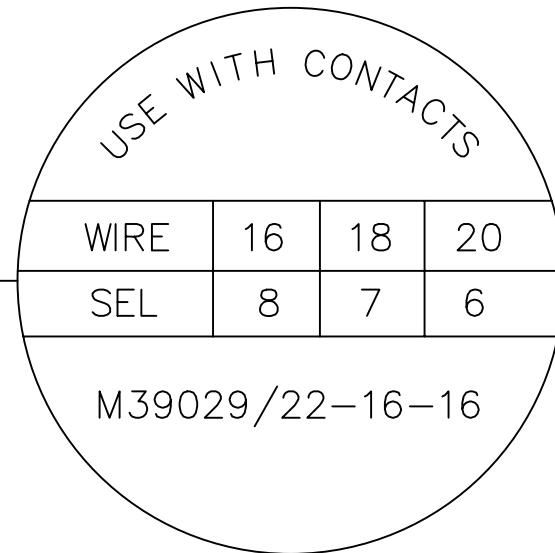
DANIELS MANUFACTURING CORP.
ORLANDO, FLORIDA
GAGE 11851

TITLE			
ENVELOPE DRAWING POSITIONER (M22520/7-11)			
WHERE USED: MH860			
SIZE	SCALE	CAD P/N	SHEET OF
A	NONE	86-19-ENV	1 1
POSTING	P/N		REV.
	86-19-ENV		2



REVISIONS				
REV. SYM.	E.C.O. NUMBER	DESCRIPTION	BY DATE	APP'D DATE
2		ADDED SEL 6 FOR SIZE 20	AAM 11-28-01	RRR 11-28-01

**UNCONTROLLED DOCUMENT
WILL NOT BE UPDATED**



NOTE: FOR USE WITH DANIELS CRIMP TOOLS
ACCOMMODATING "86" SERIES POSITIONERS

LOCATOR	
HOLE DIMENSIONS	ADDITIONAL FEATURES
$\phi .134$ $\nabla .179$	/

RESTRICTED & CONFIDENTIAL

CONFIDENTIAL PROPERTY OF DANIELS MANUFACTURING CORP. NOT TO BE DISCLOSED TO OTHERS, REPRODUCED OR USED FOR ANY OTHER PURPOSE, EXCEPT AS AUTHORIZED IN WRITING BY DANIELS MANUFACTURING. MUST BE RETURNED TO DANIELS MANUFACTURING CORP. ON COMPLETION OF ORDER OR OTHER PURPOSE FOR WHICH LENT.

DO NOT SCALE DRAWING

DRN. A. MOO-YOUNG	DATE 11-28-01
CHK'D. RRR	DATE 11-28-01
APP'D.	DATE
APP'D.	DATE

NOTE:
THIS DRAWING IS AN OUTLINE DRAWING OF THE RESPECTIVE DMC PART NUMBER INDICATED. ACTUAL DMC PART NUMBER IS DRAWING NUMBER WITHOUT THE "-ENV" SUFFIX.

DMC DANIELS MANUFACTURING CORP.
ORLANDO, FLORIDA
CAGE 11851

TITLE				ENVELOPE DRAWING POSITIONER	
WHERE USED: MH860					
SIZE A	SCALE NTS	CAD P/N 86-21-ENV	SHEET 1 OF 1		
POSTING		DWG. NO. 86-21-ENV	REV. 2		